



1 2 3 4 5 6



OMRON  
 WT30-  
 WIRELESS TERMINALS

---

SOURCE: 24V DC  $\equiv$  3.5W  
 IN: 24V DC 5mA/P  
 OUT: 24V DC 0.1A<sub>max</sub>/P

 LISTED  
 95M8  
 IND. CONT. EQ.  
 CLASS2 ONLY

 2.4 DS 4

R

CMII ID:

LOT No.

---

**OMRON Corporation**  
**MADE IN JAPAN**

**FCC ID:RXEWT30B**

This device complies with Part 15 of the FCC Rules. Operation is subject to the following two conditions:  
 (1) This device may not cause harmful interference, and  
 (2) this device must accept any interference received, including interference that may cause undesired operation.

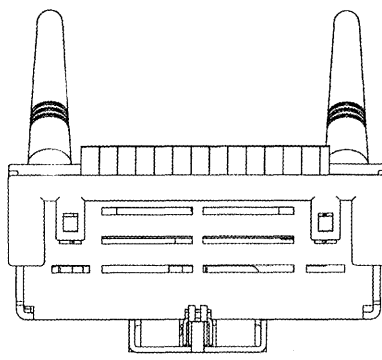
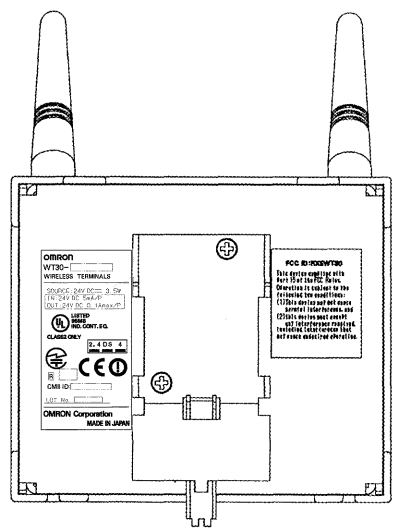
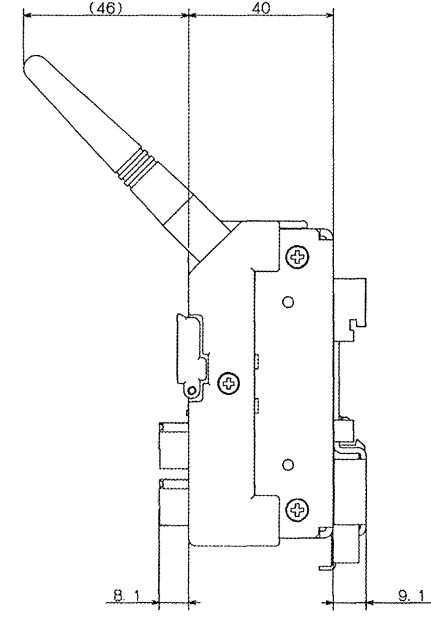
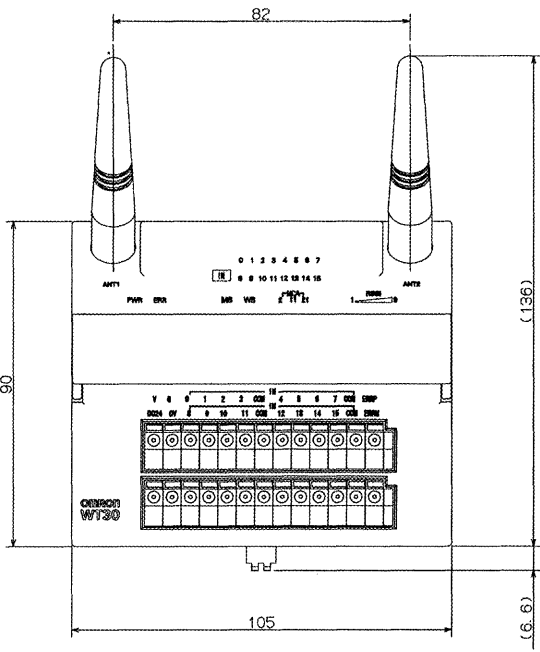
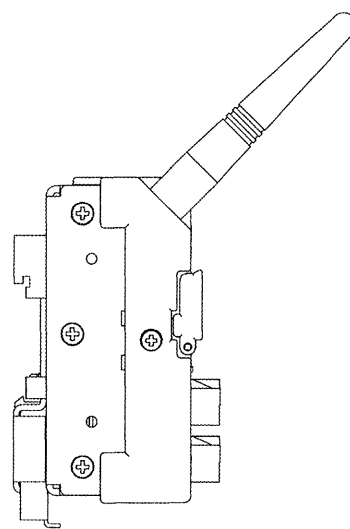
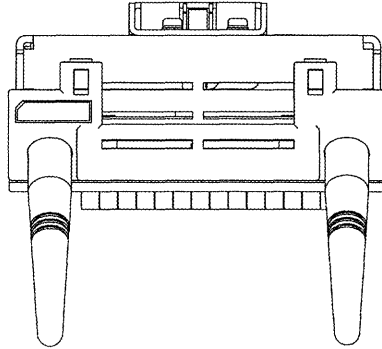
Type	A	B
WT30-M01-FLK	M01-FLK	IN: 24V DC 5mA/P OUT: 24V DC 0.1A <sub>max</sub> /P
WT30-SID16	SID16	
WT30-SMD16	SMD16	
WT30-SMD16-1	SMD16-1	

					MATERIAL	SCALE	<b>Wireless Terminals Label</b>
					FINISH	2:1	
					TOLERANCES UNLESS SPECIFIED	3RD ANGLE	
					DESIGNED (お)開発 城戸	CHECKED (お)開発 中川	
					SIGN (お)開発 村上	SHEET /	DRWG NO. XXXXXXXX-X
SYM	DATE	E/C CONTENTS	E/C NO.	SIGN			DESIGNED FOR WT30

1 2 3 4 5 6 7 8 9 10 11 12 13 14 15 16

A  
B  
C  
D  
E  
F  
G  
H  
I  
J  
K  
L

A  
B  
C  
D  
E  
F  
G  
H  
I  
J  
K  
L



		MATERIAL XXXXXXXX		SCALE X:X		XXXXXXXXXX	
		FINISH XXXXXXXX		3RD ANGLE		XXXXXXXXXX	
		TOLERANCES UNLESS SPECIFIED		DESIGNED	CHECKED	APPROVED	DRWG NO. XXXXXXXX-X X
A	XXXXXXXXXX	XXXXXXXXXX	XXXX	XXX	XXXXXX	XXXXXX	XXXXXXXXXX
SYM	DATE	E/C	CONTENTS	E/C NO.	SIGN	DATE	DESIGNED FOR XXXXX