

1 2 3 4 5 6 7 8

A

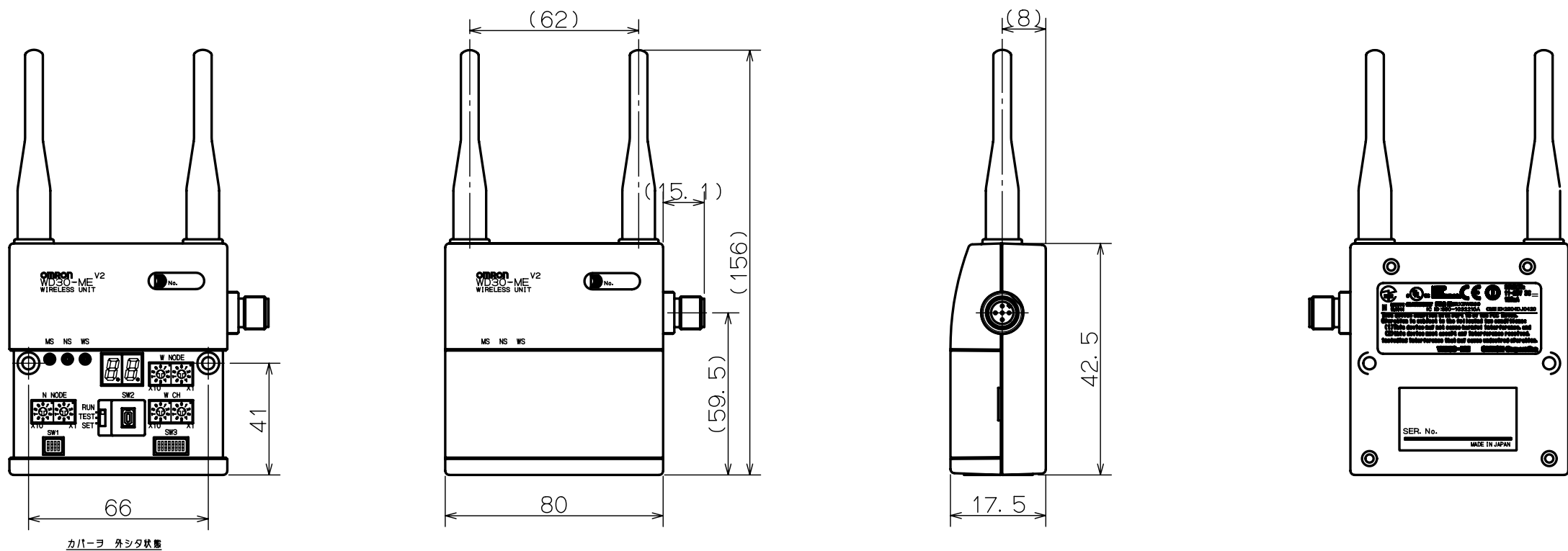
B

C

D

E

F



カバー外 外シタ状態

| | | | | | | | | | | |
|-----|------|--------------|---------|------|------------|----------|---------|----------|-------|-------------------|
| | | | | | MATERIAL | | | | SCALE | XXXXXXXXXX |
| | | | | | FINISH | | | | X : X | XXXXXXXXXX |
| | | | | | TOLERANCES | DESIGNED | CHECKED | APPROVED | 3RD | XXXXXXXXXX |
| | | | | | UNLESS | | | | ANGLE | DRWG |
| | | | | | SPECIFIED | | | | SHEET | NO. XXXXXXXX-X X |
| SYM | DATE | E/C CONTENTS | E/C NO. | SIGN | | | | | X/X | DESIGNED FOR WD30 |