

Futaba®

FAA-01

2.4GHz Diversity Patch Antenna

FUTABA Corporation

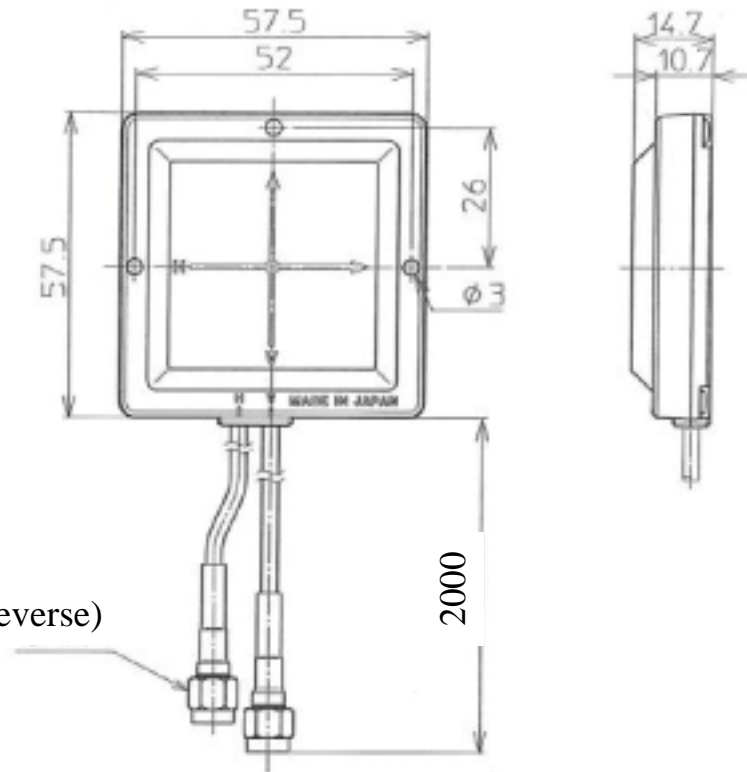
FEATURES

1. The antenna can be installed to any types of 2.4GHz radios (Wireless-LAN etc.)
2. Excellent performance against the effect of multi-path signals. The vertical and horizontal polarization diversity function is employed as a countermeasure to the 2.4GHz multi-path signal.
3. As the structure is not affected by the back plate condition, the antenna can be installed directly to the metal surface. It shows better performance than the case where a dipole antenna is closed to the metal surface.
4. Small and skinny size. Dewdrop proof structure. Best for embedded systems and outdoor uses.
5. Combination of this antenna and FUTABA 2.4GHz radio modem presents the best performance.

SPECIFICATIONS

Frequency Range	2400-2500MHz
Beam -3dB side robe	+/-60degrees electric, 70 degrees magnetic plane
Gain	2.14dBi
Impedance	50 Ohm
VSWR	Less than 2.0
Maximum Input	0.5W
Connector	SMA-M(Reverse) type
Dimensions	57.5x57.5x14.7mm
Weight	100g(with coax cable)

Dimensions



SMA-M(Reverse)

Connection

- Blue marker connector Vertical polarization
- White marker connector Horizontal polarization

