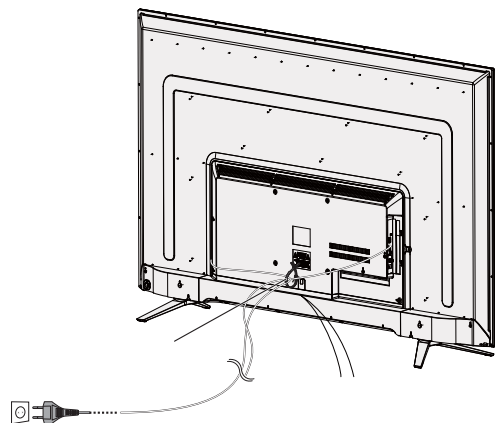


## Initial installation

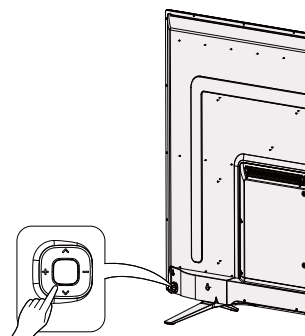
When you use this monitor for the first time, click next, depending on the installation and connection of your monitor.

1 Connect the antenna to the antenna.

2 Plug in the communication line on the communication plug.



3 Oprima el monitor  Enlace volante





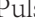



4 Initial installation  
• Follow the instructions on the monitor display to set the following settings.

## View electronic manual

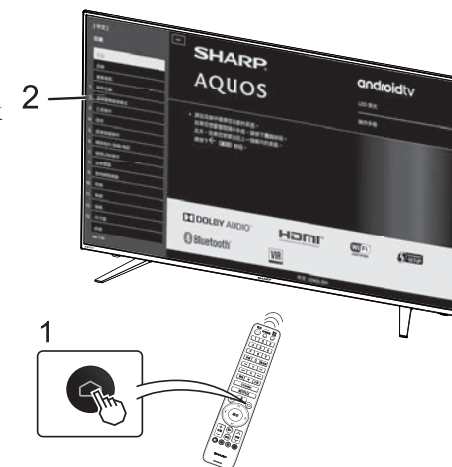
### Internal building business manual

Display the interior building operation manual on the screen to learn how to operate the machine.

1 Click  page) to display the home (page) image and press Select  (settings).

Pulsar  /  Select (application), click  /  Select the manual and click In order to determine

2 When you select a directory, your page is displayed.



This device complies with part 15 of the FCC Rules. Operation is subject to the following two conditions:

(1) This device may not cause harmful interference, and

(2) this device must accept any interference received, including interference that may cause undesired operation.

### FCC statement

This equipment has been tested and found to comply with the limits for a Class B digital device, pursuant to Part 15 of the FCC Rules. These limits are designed to provide reasonable protection against harmful interference in a residential installation. This equipment generates, uses and can radiate radio frequency energy and, if not installed and used in accordance with the instructions, may cause harmful interference to radio communications.

However, there is no guarantee that interference will not occur in a particular installation.

· If this equipment does cause harmful interference to radio or television reception, which can be determined by turning the equipment off and on, the user is encouraged to try to correct the interference by one or more of the following measures:

—Reorient or relocate the receiving antenna.

—Increase the separation between the equipment and receiver.

—Connect the equipment into an outlet on a circuit different from that to which the receiver is connected.

—Consult the dealer or an experienced radio/TV technician for help.

### RF exposure warning

The equipment complies with FCC RF exposure limits set forth for an uncontrolled environment.

The equipment must not be co-located or operating in conjunction with any other antenna or transmitter.

**Any changes or modifications not expressly approved by the grantee of this device could void the user's authority to operate the equipment.**