

# FCC Measurement/Technical Report on

Giorgio 2.5  
GRG2501

FCC ID: RX2GRG2501  
IC: 4983A-GRG2501

**Test Report Reference:** MDE\_MARELLI\_2206\_FCC\_01\_rev01

**Test Laboratory:**

7layers GmbH  
Borsigstrasse 11  
40880 Ratingen  
Germany



Deutsche  
Akkreditierungsstelle  
D-PL-12140-01-01  
D-PL-12140-01-02  
D-PL-12140-01-03

**Note:**

The following test results relate only to the devices specified in this document. This report shall not be reproduced in parts without the written approval of the test laboratory.

**7layers GmbH**

Borsigstraße 11  
40880 Ratingen, Germany  
T +49 (0) 2102 749 0  
F +49 (0) 2102 749 350

**Geschäftsführer/**

**Managing Directors:**

Frank Spiller  
Bernhard Retka  
Alexandre Norré-Oudard

**Registergericht/registered:**

Düsseldorf HRB 75554  
USt-Id.-Nr./VAT-No. DE203159652  
Steuer-Nr./TAX-No. 147/5869/0385

*a Bureau Veritas  
Group Company*

*www.7layers.com*

## Table of Contents

<b>1</b>	<b>Applied Standards and Test Summary</b>	<b>3</b>
1.1	Applied Standards	3
1.2	FCC-IC Correlation Table	4
1.3	Measurement Summary	5
<b>2</b>	<b>Revision History / Signatures</b>	<b>9</b>
<b>3</b>	<b>Administrative Data</b>	<b>10</b>
3.1	Testing Laboratory	10
3.2	Project Data	10
3.3	Applicant Data	10
3.4	Manufacturer Data	11
<b>4</b>	<b>Test object Data</b>	<b>12</b>
4.1	General EUT Description	12
4.2	EUT Main components	12
4.3	Ancillary Equipment	13
4.4	Auxiliary Equipment	13
4.5	EUT Setups	13
4.6	Operating Modes / Test Channels	14
4.7	Product labelling	15
<b>5</b>	<b>Test Results</b>	<b>16</b>
5.1	Occupied Bandwidth (20 dB)	16
5.2	Occupied Bandwidth (99%)	21
5.3	Peak Power Output	25
5.4	Spurious RF Conducted Emissions	30
5.5	Transmitter Spurious Radiated Emissions	35
5.6	Band Edge Compliance Conducted	43
5.7	Band Edge Compliance Radiated	51
5.8	Dwell Time	57
5.9	Channel Separation	61
5.10	Number of Hopping Frequencies	63
<b>6</b>	<b>Test Equipment</b>	<b>66</b>
<b>7</b>	<b>Antenna Factors, Cable Loss and Sample Calculations</b>	<b>69</b>
7.1	LISN R&S ESH3-Z5 (150 kHz – 30 MHz)	69
7.2	Antenna R&S HFH2-Z2 (9 kHz – 30 MHz)	70
7.3	Antenna R&S HL562 (30 MHz – 1 GHz)	71
7.4	Antenna R&S HF907 (1 GHz – 18 GHz)	72
7.5	Antenna EMCO 3160-09 (18 GHz – 26.5 GHz)	73
7.6	Antenna EMCO 3160-10 (26.5 GHz – 40 GHz)	74
<b>8</b>	<b>Measurement Uncertainties</b>	<b>75</b>
<b>9</b>	<b>Photo Report</b>	<b>76</b>

## 1 APPLIED STANDARDS AND TEST SUMMARY

### 1.1 APPLIED STANDARDS

#### **Type of Authorization**

Certification for an Intentional Radiator.

#### **Applicable FCC Rules**

Prepared in accordance with the requirements of FCC Rules and Regulations as listed in 47 CFR Ch.1 Parts 2 and 15 (10-1-20 Edition). The following subparts are applicable to the results in this test report.

Part 2, Subpart J - Equipment Authorization Procedures, Certification

Part 15, Subpart C – Intentional Radiators

§ 15.201 Equipment authorization requirement

§ 15.207 Conducted limits

§ 15.209 Radiated emission limits; general requirements

§ 15.247 Operation within the bands 902-928 MHz, 2400-2483.5 MHz

#### **Note:**

The tests were selected and performed with reference to the FCC Public Notice "Guidance for Compliance Measurements on Digital Transmission System, Frequency Hopping Spread Spectrum System, and Hybrid System Devices Operating under Section 15.247 of the FCC Rules, 558074 D01 15.247 Meas Guidance v05r02, 2019-04-02". ANSI C63.10-2013 is applied.

## 1.2 FCC-IC CORRELATION TABLE

### Correlation of measurement requirements for FHSS (e.g. Bluetooth®) equipment from FCC and IC

#### FHSS equipment

Measurement	FCC reference	IC reference
Conducted emissions on AC Mains	§ 15.207	RSS-Gen Issue 5: 8.8
Occupied bandwidth	§ 15.247 (a) (1)	RSS-247 Issue 2: 5.1 (b)
Peak conducted output power	§ 15.247 (b) (1), (4)	RSS-247 Issue 2: 5.4 (b)
Transmitter spurious RF conducted emissions	§ 15.247 (d)	RSS-Gen Issue 5: 6.13/8.9/8.10; RSS-247 Issue 2: 5.5
Transmitter spurious radiated emissions	§ 15.247 (d); § 15.209 (a)	RSS-Gen Issue 5: 6.13 / 8.9/8.10; RSS-247 Issue 2: 5.5
Band edge compliance	§ 15.247 (d)	RSS-247 Issue 2: 5.5
Dwell time	§ 15.247 (a) (1) (iii)	RSS-247 Issue 2: 5.1 (d)
Channel separation	§ 15.247 (a) (1)	RSS-247 Issue 2: 5.1 (b)
No. of hopping frequencies	§ 15.247 (a) (1) (iii)	RSS-247 Issue 2: 5.1 (d)
Hybrid systems (only)	§ 15.247 (f); § 15.247 (e)	RSS-247 Issue 2: 5.3
Antenna requirement	§ 15.203 / 15.204	RSS-Gen Issue 5: 8.3
Receiver spurious emissions	-	-

### 1.3 MEASUREMENT SUMMARY

#### 47 CFR CHAPTER I FCC PART 15 § 15.247 (a) (1) Subpart C §15.247

Occupied Bandwidth (20 dB)

The measurement was performed according to ANSI C63.10, chapter 6.9.2

**Final Result**

OP-Mode	Setup	Date	FCC	IC
Radio Technology, Operating Frequency				
Bluetooth BDR, high	S01_AA01	2022-08-18	Passed	Passed
Bluetooth BDR, low	S01_AA01	2022-08-18	Passed	Passed
Bluetooth BDR, mid	S01_AA01	2022-08-18	Passed	Passed
Bluetooth EDR 2, high	S01_AA01	2022-08-18	Passed	Passed
Bluetooth EDR 2, low	S01_AA01	2022-08-18	Passed	Passed
Bluetooth EDR 2, mid	S01_AA01	2022-08-18	Passed	Passed
Bluetooth EDR 3, high	S01_AA01	2022-08-18	Passed	Passed
Bluetooth EDR 3, low	S01_AA01	2022-08-18	Passed	Passed
Bluetooth EDR 3, mid	S01_AA01	2022-08-18	Passed	Passed

#### 47 CFR CHAPTER I FCC PART 15 IC RSS-Gen & IC TRC-43; Ch. 6.7 & Ch. 8 Subpart C §15.247

Occupied Bandwidth (99%)

The measurement was performed according to ANSI C63.10, chapter 6.9.3

**Final Result**

OP-Mode	Setup	Date	FCC	IC
Radio Technology, Operating Frequency				
Bluetooth BDR, high	S01_AA01	2022-08-18	N/A	Performed
Bluetooth BDR, low	S01_AA01	2022-08-18	N/A	Performed
Bluetooth BDR, mid	S01_AA01	2022-08-18	N/A	Performed
Bluetooth EDR 2, high	S01_AA01	2022-08-18	N/A	Performed
Bluetooth EDR 2, low	S01_AA01	2022-08-18	N/A	Performed
Bluetooth EDR 2, mid	S01_AA01	2022-08-18	N/A	Performed
Bluetooth EDR 3, high	S01_AA01	2022-08-18	N/A	Performed
Bluetooth EDR 3, low	S01_AA01	2022-08-18	N/A	Performed
Bluetooth EDR 3, mid	S01_AA01	2022-08-18	N/A	Performed

#### 47 CFR CHAPTER I FCC PART 15 § 15.247 (b) (1) (2) Subpart C §15.247

Peak Power Output

The measurement was performed according to ANSI C63.10, chapter 11.9.1.3

**Final Result**

OP-Mode	Setup	Date	FCC	IC
Radio Technology, Operating Frequency, Measurement method				
Bluetooth BDR, high, conducted	S01_AA01	2022-08-18	Passed	Passed
Bluetooth BDR, low, conducted	S01_AA01	2022-08-18	Passed	Passed
Bluetooth BDR, mid, conducted	S01_AA01	2022-08-18	Passed	Passed

**47 CFR CHAPTER I FCC PART 15 § 15.247 (b) (1) (2)**  
**Subpart C §15.247**

Peak Power Output  
 The measurement was performed according to ANSI C63.10, chapter 11.9.1.3 **Final Result**

<b>OP-Mode</b>	<b>Setup</b>	<b>Date</b>	<b>FCC</b>	<b>IC</b>
Radio Technology, Operating Frequency, Measurement method				
Bluetooth EDR 2, high, conducted	S01_AA01	2022-08-18	Passed	Passed
Bluetooth EDR 2, low, conducted	S01_AA01	2022-08-18	Passed	Passed
Bluetooth EDR 2, mid, conducted	S01_AA01	2022-08-18	Passed	Passed
Bluetooth EDR 3, high, conducted	S01_AA01	2022-08-18	Passed	Passed
Bluetooth EDR 3, low, conducted	S01_AA01	2022-08-18	Passed	Passed
Bluetooth EDR 3, mid, conducted	S01_AA01	2022-08-18	Passed	Passed

**47 CFR CHAPTER I FCC PART 15 § 15.247 (d)**  
**Subpart C §15.247**

Spurious RF Conducted Emissions  
 The measurement was performed according to ANSI C63.10, chapter 11.11 **Final Result**

<b>OP-Mode</b>	<b>Setup</b>	<b>Date</b>	<b>FCC</b>	<b>IC</b>
Radio Technology, Operating Frequency				
Bluetooth BDR, high	S01_AA01	2022-08-18	Passed	Passed
Bluetooth BDR, low	S01_AA01	2022-08-18	Passed	Passed
Bluetooth BDR, mid	S01_AA01	2022-08-18	Passed	Passed
Bluetooth EDR 2, high	S01_AA01	2022-08-18	Passed	Passed
Bluetooth EDR 2, low	S01_AA01	2022-08-18	Passed	Passed
Bluetooth EDR 2, mid	S01_AA01	2022-08-18	Passed	Passed
Bluetooth EDR 3, high	S01_AA01	2022-08-18	Passed	Passed
Bluetooth EDR 3, low	S01_AA01	2022-08-18	Passed	Passed
Bluetooth EDR 3, mid	S01_AA01	2022-08-18	Passed	Passed

**47 CFR CHAPTER I FCC PART 15 § 15.247 (d)**  
**Subpart C §15.247**

Transmitter Spurious Radiated Emissions  
 The measurement was performed according to ANSI C63.10, chapter 6.4, 6.5, 6.6.5 **Final Result**

<b>OP-Mode</b>	<b>Setup</b>	<b>Date</b>	<b>FCC</b>	<b>IC</b>
Radio Technology, Operating Frequency, Measurement range				
Bluetooth BDR, high, 1 GHz - 26 GHz	S02_AA01	2022-08-26	Passed	Passed
Bluetooth BDR, high, 30 MHz - 1 GHz	S02_AA01	2022-08-16	Passed	Passed
Bluetooth BDR, low, 1 GHz - 26 GHz	S02_AA01	2022-08-25	Passed	Passed
Bluetooth BDR, low, 30 MHz - 1 GHz	S02_AA01	2022-08-16	Passed	Passed
Bluetooth BDR, mid, 1 GHz - 26 GHz	S02_AA01	2022-08-25	Passed	Passed
Bluetooth BDR, mid, 30 MHz - 1 GHz	S02_AA01	2022-08-16	Passed	Passed
Bluetooth BDR, mid, 9 kHz - 30 MHz	S02_AA01	2022-08-17	Passed	Passed

**47 CFR CHAPTER I FCC PART 15 § 15.247 (d)**  
**Subpart C §15.247**

Band Edge Compliance Conducted  
The measurement was performed according to ANSI C63.10, chapter 11.11 **Final Result**

<b>OP-Mode</b>	<b>Setup</b>	<b>Date</b>	<b>FCC</b>	<b>IC</b>
Radio Technology, Operating Frequency, Band Edge				
Bluetooth BDR, high, high	S01_AA01	2022-08-18	Passed	Passed
Bluetooth BDR, hopping, high	S01_AA01	2022-08-18	Passed	Passed
Bluetooth BDR, hopping, low	S01_AA01	2022-08-18	Passed	Passed
Bluetooth BDR, low, low	S01_AA01	2022-08-18	Passed	Passed
Bluetooth EDR 2, high, high	S01_AA01	2022-08-18	Passed	Passed
Bluetooth EDR 2, low, low	S01_AA01	2022-08-18	Passed	Passed
Bluetooth EDR 3, high, high	S01_AA01	2022-08-18	Passed	Passed
Bluetooth EDR 3, hopping, high	S01_AA01	2022-08-18	Passed	Passed
Bluetooth EDR 3, hopping, low	S01_AA01	2022-08-18	Passed	Passed
Bluetooth EDR 3, low, low	S01_AA01	2022-08-18	Passed	Passed

**47 CFR CHAPTER I FCC PART 15 § 15.247 (d)**  
**Subpart C §15.247**

Band Edge Compliance Radiated  
The measurement was performed according to ANSI C63.10, chapter 6.6.5 **Final Result**

<b>OP-Mode</b>	<b>Setup</b>	<b>Date</b>	<b>FCC</b>	<b>IC</b>
Radio Technology, Operating Frequency, Band Edge				
Bluetooth BDR, high, high	S02_AA01	2022-08-26	Passed	Passed
Bluetooth EDR 2, high, high	S02_AA01	2022-08-26	Passed	Passed
Bluetooth EDR 3, high, high	S02_AA01	2022-08-26	Passed	Passed

**47 CFR CHAPTER I FCC PART 15 § 15.247 (a) (1)**  
**Subpart C §15.247**

Dwell Time  
The measurement was performed according to ANSI C63.10, chapter 7.8.4 **Final Result**

<b>OP-Mode</b>	<b>Setup</b>	<b>Date</b>	<b>FCC</b>	<b>IC</b>
Radio Technology				
Bluetooth BDR	S01_AA01	2022-08-18	Passed	Passed

**47 CFR CHAPTER I FCC PART 15 § 15.247 (a) (1)**  
**Subpart C §15.247**

---

Channel Separation  
 The measurement was performed according to ANSI C63.10, chapter 7.8.2 **Final Result**

<b>OP-Mode</b>	<b>Setup</b>	<b>Date</b>	<b>FCC</b>	<b>IC</b>
Radio Technology Bluetooth BDR	S01_AA01	2022-08-18	Passed	Passed

**47 CFR CHAPTER I FCC PART 15 § 15.247 (a) (1) (i) (ii) (iii)**  
**Subpart C §15.247**

---

Number of Hopping Frequencies  
 The measurement was performed according to ANSI C63.10, chapter 7.8.3 **Final Result**

<b>OP-Mode</b>	<b>Setup</b>	<b>Date</b>	<b>FCC</b>	<b>IC</b>
Radio Technology Bluetooth BDR	S01_AA01	2022-08-18	Passed	Passed

N/A: Not applicable  
 N/P: Not performed



## 2 REVISION HISTORY / SIGNATURES

Report version control			
Version	Release date	Change Description	Version validity
initial	2022-09-06	--	Invalid
Rev01	2022-09-07	- SW version on page 12 changed	Valid
--	--	--	--

COMMENT: -



(responsible for accreditation scope)  
Marco Kullik



(responsible for testing and report)  
Mohamed Fraïtat



7 layers GmbH, Borsigstr. 11  
40880 Ratingen, Germany  
Phone +49 (0)2102 749 0

### 3 ADMINISTRATIVE DATA

#### 3.1 TESTING LABORATORY

Company Name: 7layers GmbH  
Address: Borsigstr. 11  
40880 Ratingen  
Germany

The test facility is accredited by the following accreditation organisation:

Laboratory accreditation no: DAKKS D-PL-12140-01-01 | -02 | -03  
FCC Designation Number: DE0015  
FCC Test Firm Registration: 929146  
ISED CAB Identifier DE0007; ISED#: 3699A

Responsible for accreditation scope: Marco Kullik

Report Template Version: 2021-09-09

#### 3.2 PROJECT DATA

Responsible for testing and report: Mohamed Fraitat  
Employees who performed the tests: documented internally at 7Layers  
Date of Report: 2022-09-07  
Testing Period: 2022-08-16 to 2022-08-26

#### 3.3 APPLICANT DATA

Company Name: Marelli Europe S.p.A.  
Address: V.le A. Borletti 61/63  
20011 Corbetta (MI)  
Italy  
Contact Person: Mrs Anna Balzano

### 3.4 MANUFACTURER DATA

Company Name:

Please see applicant data

## 4 TEST OBJECT DATA

### 4.1 GENERAL EUT DESCRIPTION

Kind of Device product description	Head unit with Bluetooth
Product name	Giorgio 2.5
Type	GRG2501
<b>Declared EUT data by the supplier</b>	
Voltage Type	DC (vehicular battery)
Voltage Level	13.5 V
Antenna / Gain	External / -2 dBi
Tested Modulation Type	GFSK Modulation, 1-DHx packets n/4 DQPSK Modulation, 2-DHx packets 8-DPSK Modulation, 3-DHx packets
Specific product description for the EUT	The EUT supports Bluetooth.
EUT ports (connected cables during testing):	<ul style="list-style-type: none"> <li>- Cable Harness (connected to DC power supply)</li> <li>- BT antenna (Connected to AUX3)</li> <li>- DAB (connected to AUX4)</li> <li>- AM/FM (Connected to AUX4)</li> <li>- FM1 (Connected to AUX4)</li> <li>- Main Video Out (connected to AUX1)</li> <li>- GPS (Connected to AUX4)</li> <li>- USB 1/2/3 ( Connected to USB load)</li> </ul>
Tested datarates	1 Mbps, 2 Mbps, 3 Mbps
Special software used for testing	BlueTest is used to put the EUT in test mode.

### 4.2 EUT MAIN COMPONENTS

Sample Name	Sample Code	Description
EUT A	DE1091034aa01	Radiated sample
Sample Parameter	Value	
Serial No.	503551762850	
HW Version	SERIE 1	
SW Version	Linux kernel 4.1.15	
Comment	-	

NOTE: The short description is used to simplify the identification of the EUT in this test report.

### 4.3 ANCILLARY EQUIPMENT

For the purposes of this test report, ancillary equipment is defined as equipment which is used in conjunction with the EUT to provide operational and control features to the EUT. It is necessary to configure the system in a typical fashion, as a customer would normally use it. But nevertheless Ancillary Equipment can influence the test results.

Device	Details (Manufacturer, Type Model, OUT Code)	Description
-	-	-

### 4.4 AUXILIARY EQUIPMENT

For the purposes of this test report, auxiliary equipment is defined as equipment which is used temporarily to enable operational and control features especially used for the tests of the EUT which is not used during normal operation or equipment that is used during the tests in combination with the EUT but is not subject of this test report. It is necessary to configure the system in a typical fashion, as a customer would normally use it. But nevertheless Auxiliary Equipment can influence the test results.

Device	Details (Manufacturer, Type Model, HW, SW, S/N)	Description
AUX1	-, DD952, HW03, SW4.00, 503490001203	Display
AUX2	MM CANbox_44, -, -, -,	Can Box
AUX3	-, Folded Dipole Antenna, -, -, -,	Bluetooth Antenna
AUX4	-, Shark antenna, -, -, -,	GNSS Antenna

### 4.5 EUT SETUPS

This chapter describes the combination of EUTs and equipment used for testing. The rationale for selecting the EUTs, ancillary and auxiliary equipment and interconnecting cables, is to test a representative configuration meeting the requirements of the referenced standards.

Setup	Combination of EUTs	Description and Rationale
S01_AA01	EUT A, AUX1, AUX2, AUX4	Setup for conducted measurement
S02_AA01	EUT A, AUX1, AUX2, AUX3, AUX4	Setup for radiated measurement

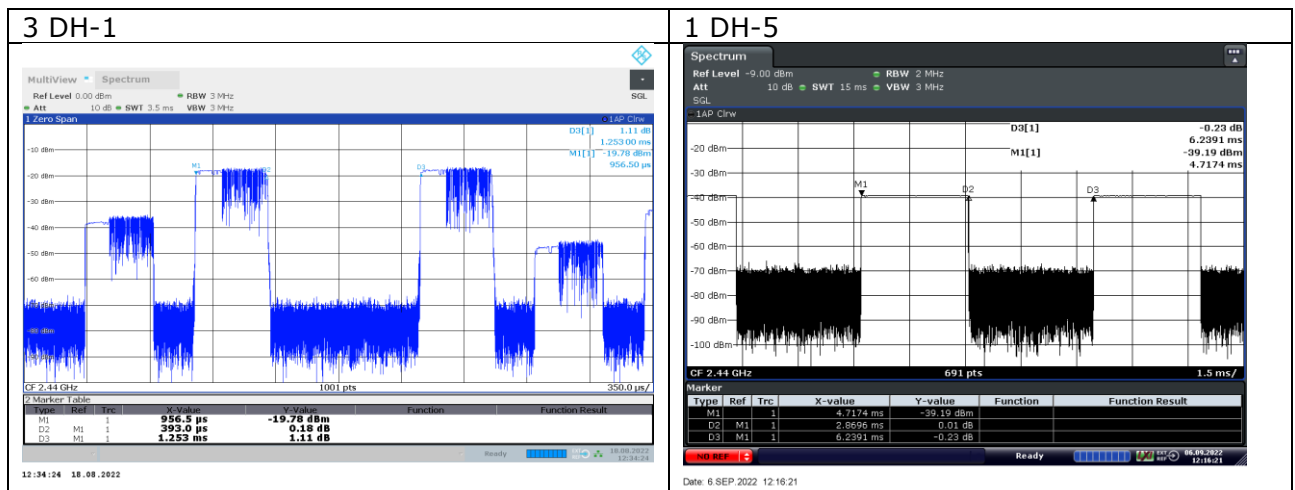
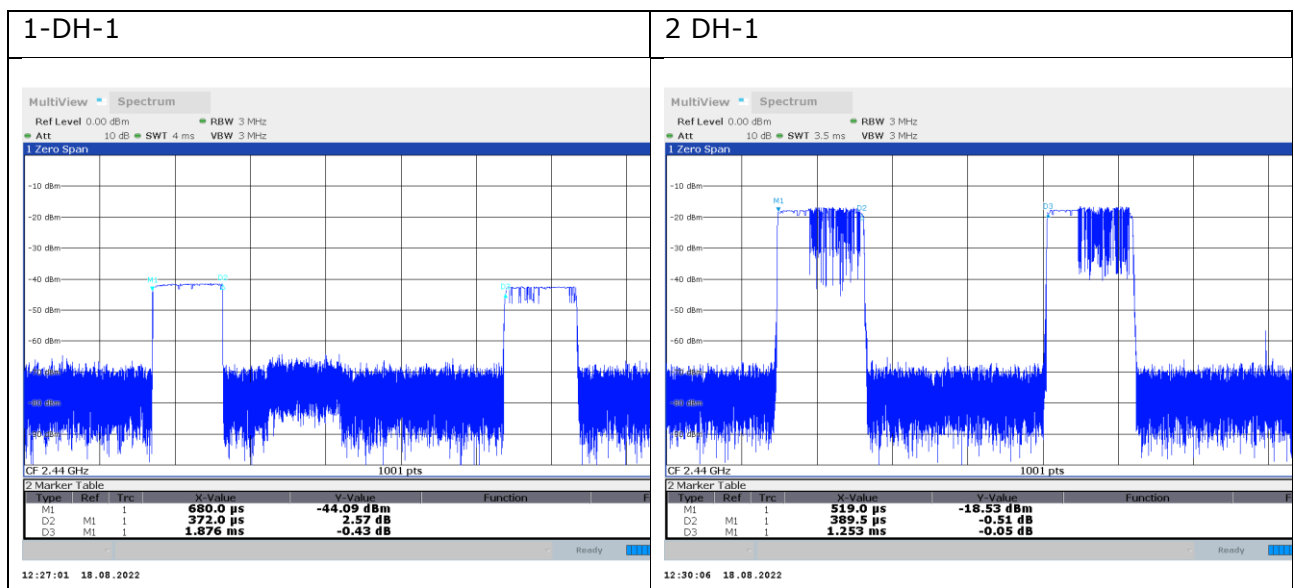
## 4.6 OPERATING MODES / TEST CHANNELS

This chapter describes the operating modes of the EUTs used for testing.

**BT Test Channels:  
Channel:  
Frequency [MHz]**

2.4 GHz ISM 2400 - 2483.5 MHz		
low	mid	high
0	39	78
2402	2441	2480

Test Mode	T <sub>on</sub> (us)	T <sub>on+off</sub> (us)	Duty cycle (%)
1-DH1	372.0	1876.0	20.0
2-DH1	389.5	1253.00	31.0
3-DH1	393.5	1253.00	31.4
1-DH5	2869	6239	46.0



## 4.7 PRODUCT LABELLING

### 4.7.1 FCC ID LABEL

Please refer to the documentation of the applicant.

### 4.7.2 LOCATION OF THE LABEL ON THE EUT

Please refer to the documentation of the applicant.

## 5 TEST RESULTS

### 5.1 OCCUPIED BANDWIDTH (20 DB)

Standard **FCC Part 15 Subpart C**

**The test was performed according to:**  
ANSI C63.10, chapter 6.9.2

#### 5.1.1 TEST DESCRIPTION

The Equipment Under Test (EUT) was set up to perform the occupied bandwidth measurements.

The reference level is the level of the highest amplitude signal observed from the transmitter at either the fundamental frequency or first-order modulation products in all typical modes of operation, including the unmodulated carrier, even if atypical.

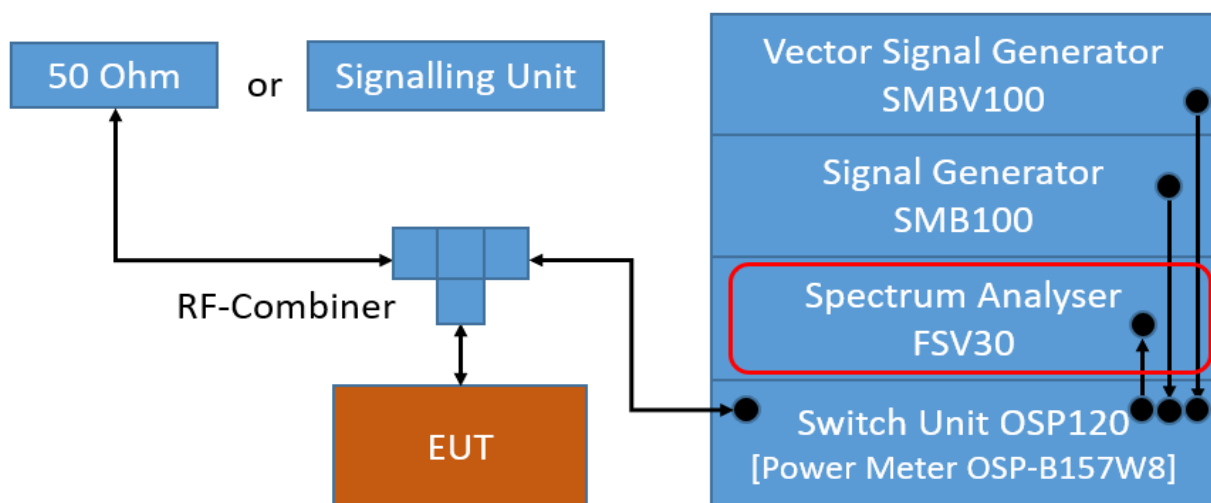
The results recorded were measured with the modulation which produce the worst-case (widest) emission bandwidth.

The EUT was connected to the test system as described in the block diagram below. The complete attenuation of the measurement path is known and considered.

Analyser settings:

- Resolution Bandwidth (RBW): 10 kHz
- Video Bandwidth (VBW): 30 kHz
- Span: 2 MHz
- Trace: Maxhold
- Sweeps: 400
- Sweep time: 419 us
- Detector: Peak

The technology depending measurement parameters can be found in the measurement plot.



TS8997; Channel Bandwidth



## 5.1.2 TEST REQUIREMENTS / LIMITS

FCC Part 15, Subpart C, §15.247 (a) (2)

For the band: 902 – 928 MHz  
FCC Part 15, Subpart C, §15.247 (a) (1) (i)

The maximum allowed 20 dB bandwidth of the hopping channel is 500 kHz

For the band: 5725 – 5850 MHz  
FCC Part 15, Subpart C, §15.247 (a) (1) (ii)

The maximum allowed 20 dB bandwidth of the hopping channel is 1 MHz

For the frequency band 2400 – 2483.5 MHz:  
FCC Part 15, Subpart C, §15.247 (a) (1) (iii)

Frequency hopping systems shall have hopping channel carrier frequencies separated by a minimum of 25 kHz or the 20 dB bandwidth of the hopping channel, whichever is greater. Alternatively, frequency hopping systems operating in the 2400–2483.5 MHz band may have hopping channel carrier frequencies that are separated by 25 kHz or two-thirds of the 20 dB bandwidth of the hopping channel, whichever is greater, provided the systems operate with an output power no greater than 125 mW. The system shall hop to channel frequencies that are selected at the system hopping rate from a pseudo randomly ordered list of hopping frequencies. Each frequency must be used equally on the average by each transmitter. The system receivers shall have input bandwidths that match the hopping channel bandwidths of their corresponding transmitters and shall shift frequencies in synchronization with the transmitted signals.

Implication by the test laboratory:

Since the Bluetooth technology defines a fixed channel separation of 1 MHz this design parameter defines the maximum allowed occupied bandwidth depending on the EUT's output power:

1. Under the provision that the system operates with an output power not greater than 125 mW (21.0 dBm):

Implicit Limit: Max. 20 dB BW =  $1.0 \text{ MHz} / 2/3 = 1.5 \text{ MHz}$

2. If the system output power exceeds 125 mW (21.0 dBm):

Implicit Limit: Max. 20 dB BW = 1.0 MHz

Used conversion factor: Output power (dBm) =  $10 \log (\text{Output power (W)} / 1\text{mW})$

The measured output power of the system is below 125 mW (21.0 dBm). For the results, please refer to the related chapter of this report.  
Therefore the limit is determined as 1.5 MHz.

### 5.1.3 TEST PROTOCOL

Ambient temperature: 25 °C  
 Air Pressure: 1000 hPa  
 Humidity: 40 %  
 BT GFSK (1-DH1)

Band	Channel No.	Frequency [MHz]	20 dB Bandwidth [MHz]	Limit [MHz]	Margin to Limit [MHz]
2.4 GHz ISM	0	2402	0.875	1.470	0.595
	39	2441	0.875	1.470	0.595
	78	2480	0.875	1.470	0.595

BT n/4 DQPSK (2-DH1)

Band	Channel No.	Frequency [MHz]	20 dB Bandwidth [MHz]	Limit [MHz]	Margin to Limit [MHz]
2.4 GHz ISM	0	2402	1.185	1.470	0.285
	39	2441	1.185	1.470	0.285
	78	2480	1.185	1.470	0.285

BT 8-DPSK (3-DH1)

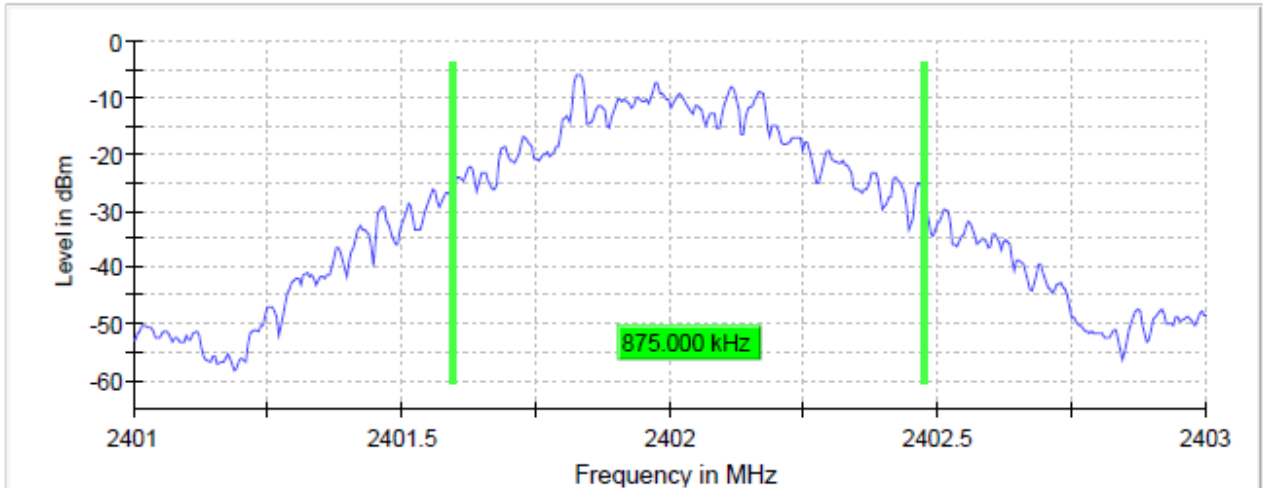
Band	Channel No.	Frequency [MHz]	20 dB Bandwidth [MHz]	Limit [MHz]	Margin to Limit [MHz]
2.4 GHz ISM	0	2402	1.210	1.470	0.260
	39	2441	1.215	1.470	0.255
	78	2480	1.215	1.470	0.255

Remark: Please see next sub-clause for the measurement plot.

5.1.4 MEASUREMENT PLOT (EXAMPLE PLOT, SHOWING WORST CASE, IF APPLICABLE)

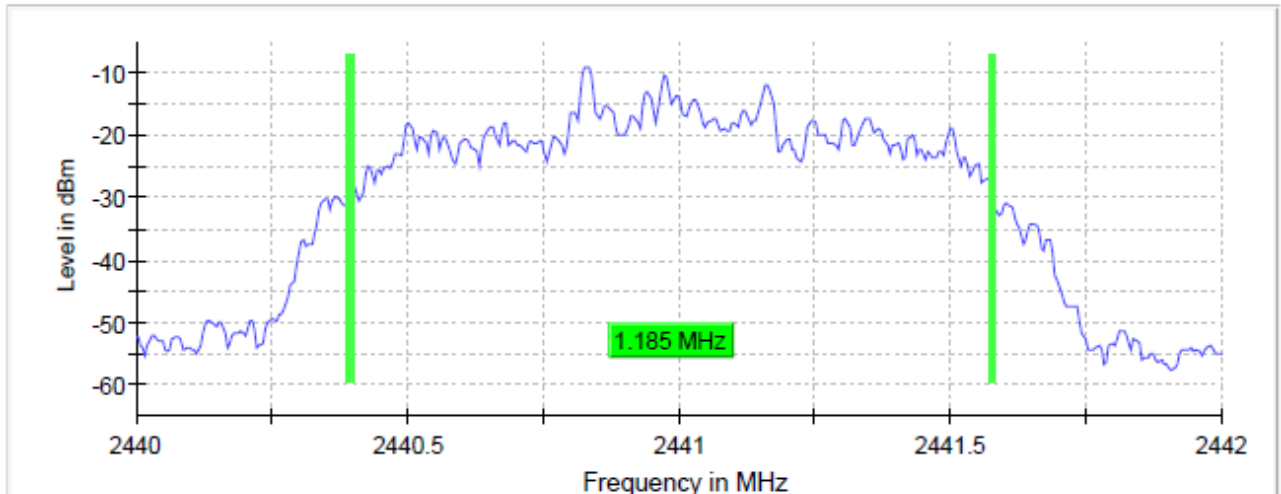
Radio Technology = Bluetooth BDR, Operating Frequency = low  
(S01\_AA01)

20 dB Bandwidth

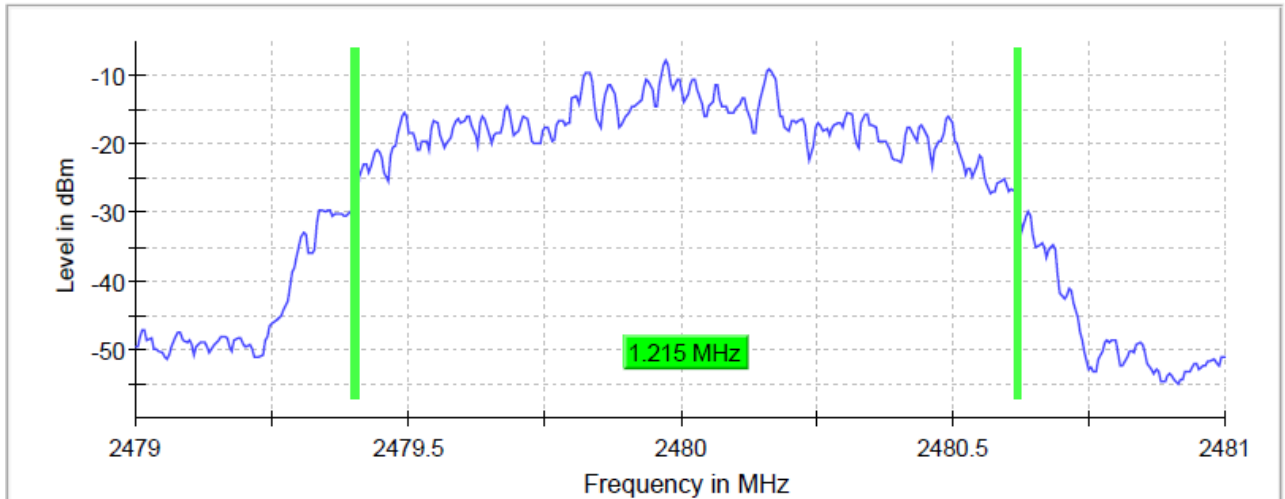


Radio Technology = Bluetooth EDR 2, Operating Frequency = mid  
(S01\_AA01)

20 dB Bandwidth



Radio Technology = Bluetooth EDR 3, Operating Frequency = high  
(S01\_AA01)  
20 dB Bandwidth



#### 5.1.5 TEST EQUIPMENT USED

- R&S TS8997

## 5.2 OCCUPIED BANDWIDTH (99%)

Standard **FCC Part 15 Subpart C**

**The test was performed according to:**  
ANSI C63.10, chapter 6.9.3

### 5.2.1 TEST DESCRIPTION

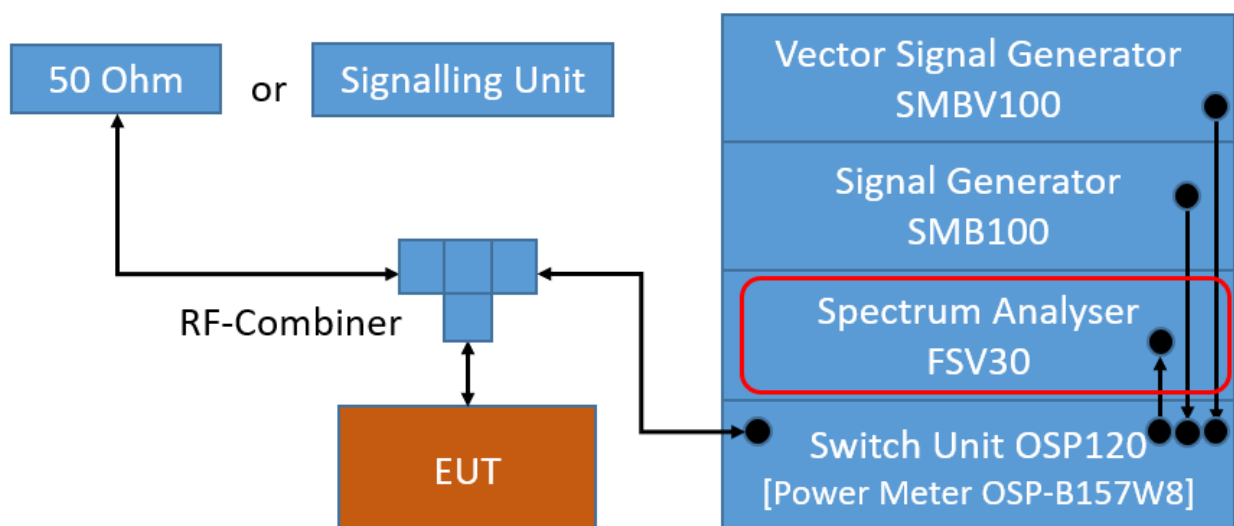
The Equipment Under Test (EUT) was set up to perform the occupied bandwidth measurements.

The reference level is the level of the highest amplitude signal observed from the transmitter at either the fundamental frequency or first-order modulation products in all typical modes of operation, including the unmodulated carrier, even if atypical.

The EUT was connected to the test system as described in the block diagram below. The complete attenuation of the measurement path is known and considered.

Analyser settings:

- Resolution Bandwidth (RBW): 1 to 5 % of the OBW
- Video Bandwidth (VBW):  $\geq 3$  times the RBW
- Span: 1.5 to 5 times the OBW
- Trace: Maxhold
- Sweeps: Till stable (min. 500, max. 75000)
- Sweep time: Auto
- Detector: Peak



TS8997; Channel Bandwidth

## 5.2.2 TEST REQUIREMENTS / LIMITS

No applicable limit:

## 5.2.3 TEST PROTOCOL

Ambient temperature: 25 °C  
 Air Pressure: 1000 hPa  
 Humidity: 40 %  
 BT GFSK (1-DH1)

Band	Channel No.	Frequency [MHz]	99 % Bandwidth [MHz]
2.4 GHz ISM	0	2402	0.830
	39	2441	0.835
	78	2480	0.835

BT π/4 DQPSK (2-DH1)

Band	Channel No.	Frequency [MHz]	99 % Bandwidth [MHz]
2.4 GHz ISM	0	2402	1.135
	39	2441	1.135
	78	2480	1.135

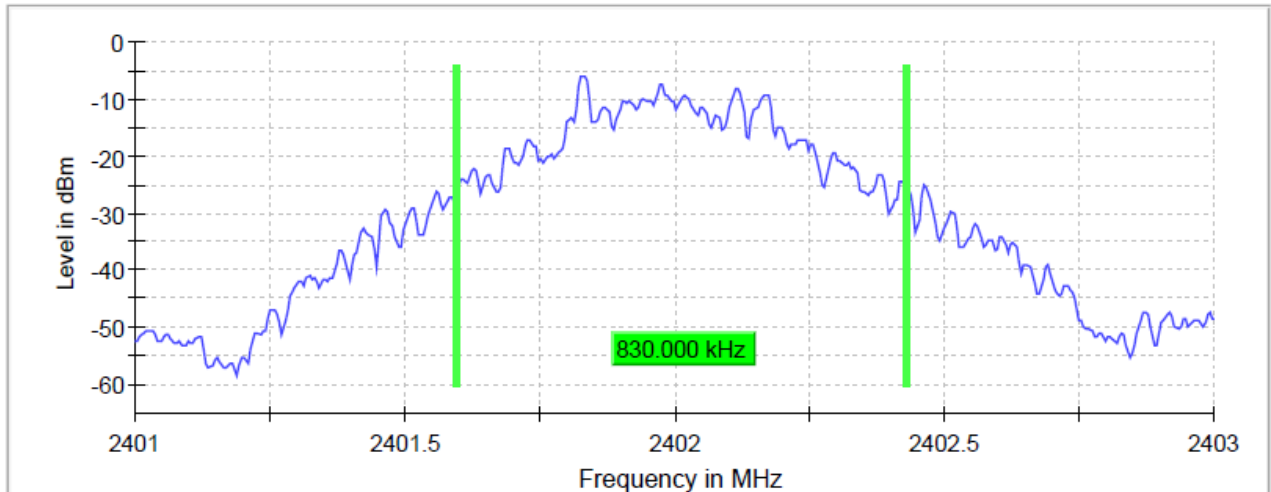
BT 8-DPSK (3-DH1)

Band	Channel No.	Frequency [MHz]	99 % Bandwidth [MHz]
2.4 GHz ISM	0	2402	1.145
	39	2441	1.140
	78	2480	1.140

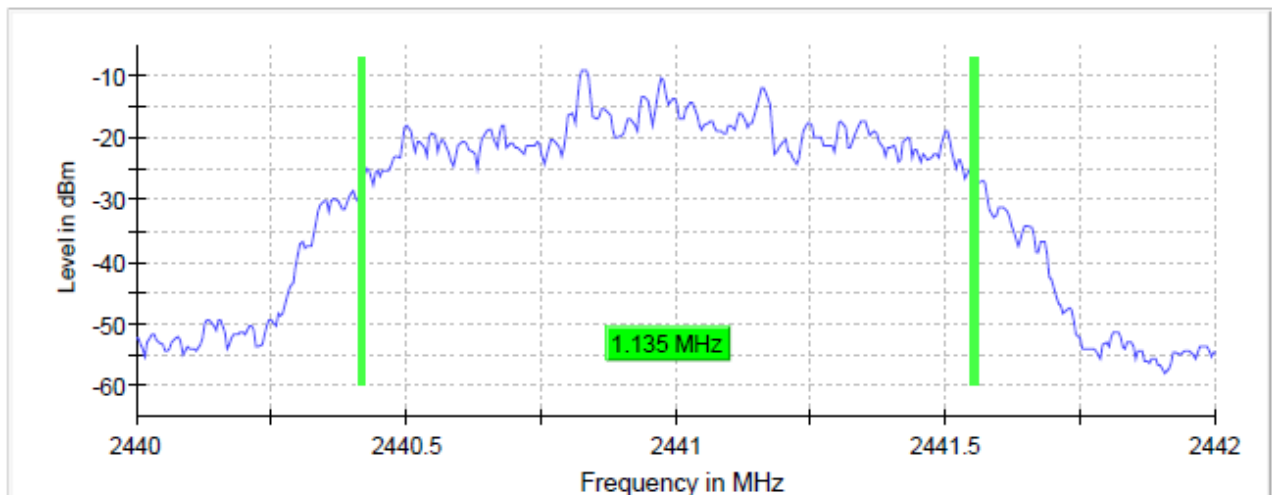
Remark: Please see next sub-clause for the measurement plot.

#### 5.2.4 MEASUREMENT PLOT (EXAMPLE PLOT, SHOWING WORST CASE, IF APPLICABLE)

Radio Technology = Bluetooth BDR, Operating Frequency = low  
(S01\_AA01)  
99 % Bandwidth

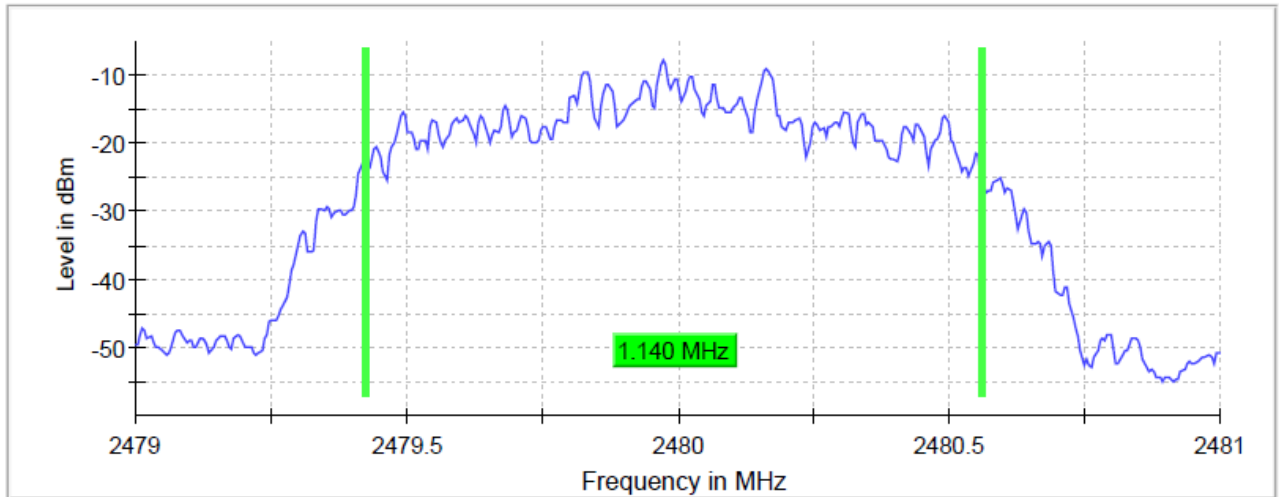


Radio Technology = Bluetooth EDR 2, Operating Frequency = mid  
(S01\_AA01)  
99 % Bandwidth



Radio Technology = Bluetooth EDR 3, Operating Frequency = high  
(S01\_AA01)

99 % Bandwidth



#### 5.2.5 TEST EQUIPMENT USED

- R&S TS8997



### 5.3 PEAK POWER OUTPUT

Standard **FCC Part 15 Subpart C**

**The test was performed according to:**  
ANSI C63.10, chapter 11.9.1.3

#### 5.3.1 TEST DESCRIPTION

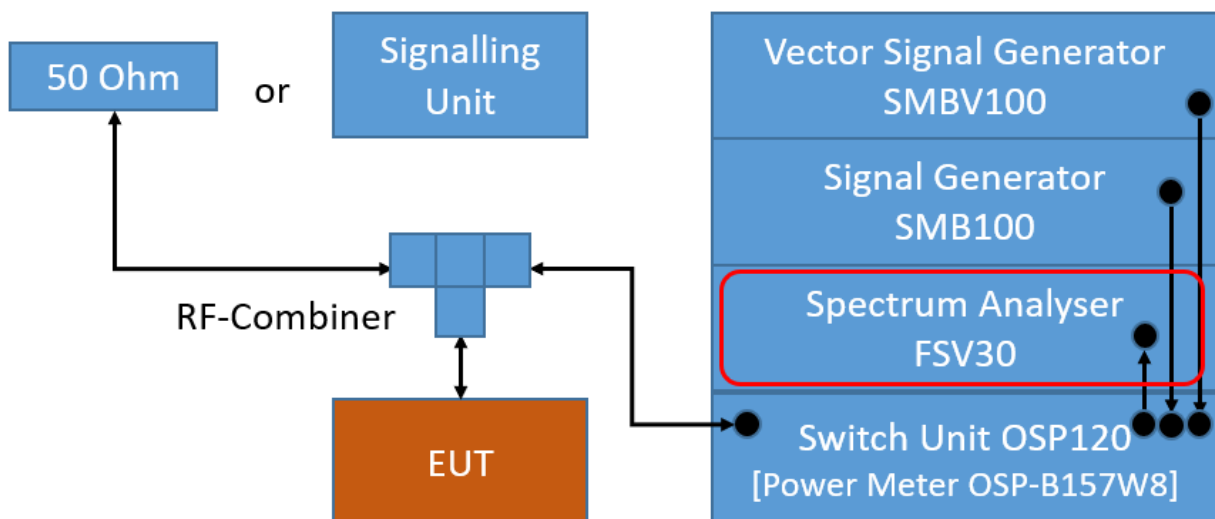
##### FHSS EQUIPMENT:

The Equipment Under Test (EUT) was set up to perform the output power measurements. The results recorded were measured with the modulation which produces the worst-case (highest) output power. The reference level of the spectrum analyser was set higher than the output power of the EUT.

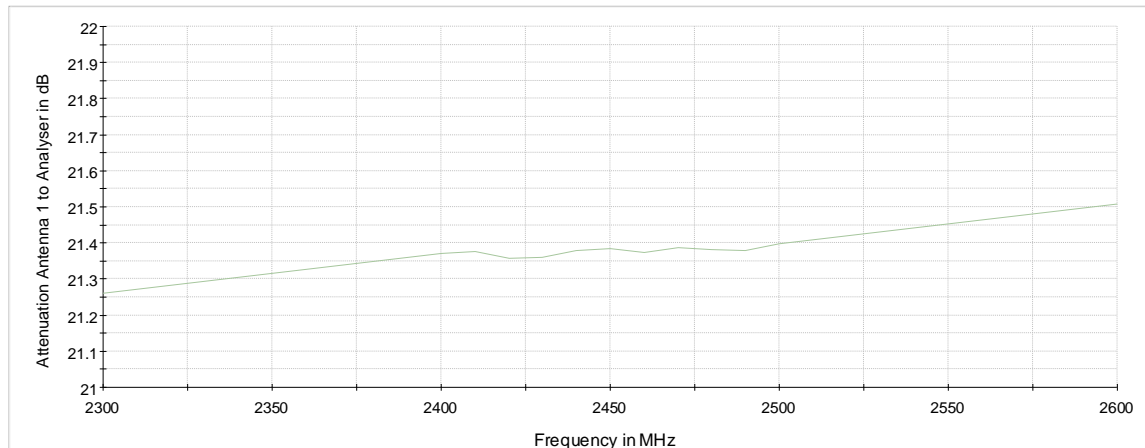
The EUT was connected to the test system as described in the block diagram below. The complete attenuation of the measurement path is known and considered.

Analyser settings:

- Resolution Bandwidth (RBW):  $\geq 20$  dB BW
- Video Bandwidth (VBW):  $\geq 3$  times RBW
- Trace: Maxhold
- Sweeps: Till stable (min. 300, max. 15000)
- Sweep time: Auto
- Detector: Peak



TS8997; Output Power



Attenuation Output power

### 5.3.2 TEST REQUIREMENTS / LIMITS

#### **DTS devices:**

FCC Part 15, Subpart C, §15.247 (b) (3)

For systems using digital modulation techniques in the 902-928 MHz, 2400-2483.5 MHz and 5725-5850 MHz bands: 1 watt.

==> Maximum conducted peak output power: 30 dBm (excluding antenna gain, if antennas with directional gains that do not exceed 6 dBi are used).

#### **Frequency Hopping Systems:**

FCC Part 15, Subpart C, §15.247 (b) (1)

For frequency hopping systems operating in the 2400-2483.5 MHz band employing at least 75 non-overlapping hopping channels, and all frequency hopping systems in the 5725-5850 MHz band: 1 watt. For all other frequency hopping systems in the 2400-2483.5 MHz band: 0.125 watts.

FCC Part 15, Subpart C, §15.247 (b) (2)

For frequency hopping systems operating in the 902-928 MHz band: 1 watt for systems employing at least 50 hopping channels; and, 0.25 watts for systems employing less than 50 hopping channels, but at least 25 hopping channels, as permitted under paragraph (a)(1)(i) of this section.

Used conversion factor: Limit (dBm) = 10 log (Limit (W)/1mW)

### 5.3.3 TEST PROTOCOL

Ambient temperature: 25 °C  
 Air Pressure: 1000 hPa  
 Humidity: 40 %  
 BT GFSK (1-DH1)

Band	Channel No.	Frequency [MHz]	Peak Power [dBm]	Limit [dBm]	Margin to Limit [dB]	E.I.R.P [dBm]
2.4 GHz ISM	0	2402	-0.5	21.0	21.5	-2.5
	39	2441	-1.6	21.0	22.6	-3.6
	78	2480	1.4	21.0	19.6	-0.6

BT π/4 DQPSK (2-DH1)

Band	Channel No.	Frequency [MHz]	Peak Power [dBm]	Limit [dBm]	Margin to Limit [dB]	E.I.R.P [dBm]
2.4 GHz ISM	0	2402	-1.3	21.0	22.3	-3.3
	39	2441	-2.4	21.0	23.4	-4.4
	78	2480	0.5	21.0	20.5	-1.5

BT 8-DPSK (3-DH1)

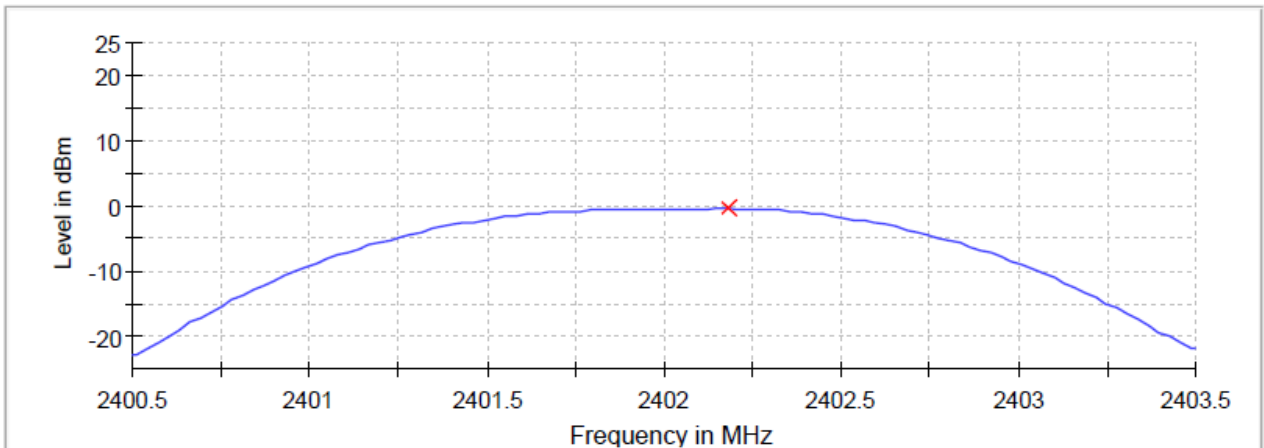
Band	Channel No.	Frequency [MHz]	Peak Power [dBm]	Limit [dBm]	Margin to Limit [dB]	E.I.R.P [dBm]
2.4 GHz ISM	0	2402	-0.7	21.0	21.7	-2.7
	39	2441	-1.9	21.0	22.9	-3.9
	78	2480	1.1	21.0	19.9	-0.9

Remark: Please see next sub-clause for the measurement plot.

5.3.4 MEASUREMENT PLOT (EXAMPLE PLOT, SHOWING WORST CASE, IF APPLICABLE)

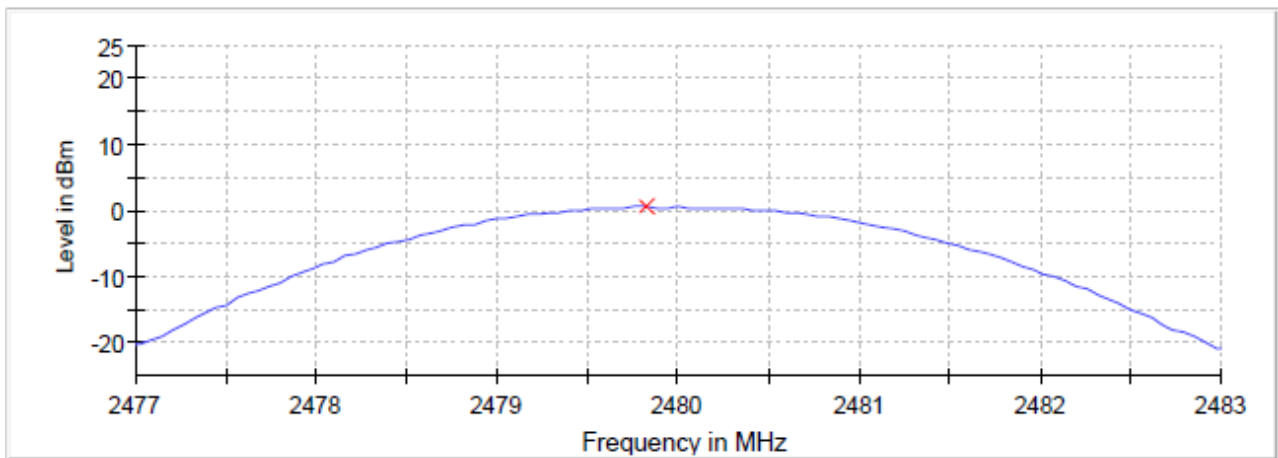
Radio Technology = Bluetooth BDR, Operating Frequency = high  
(S01\_AA01)

Peak Power

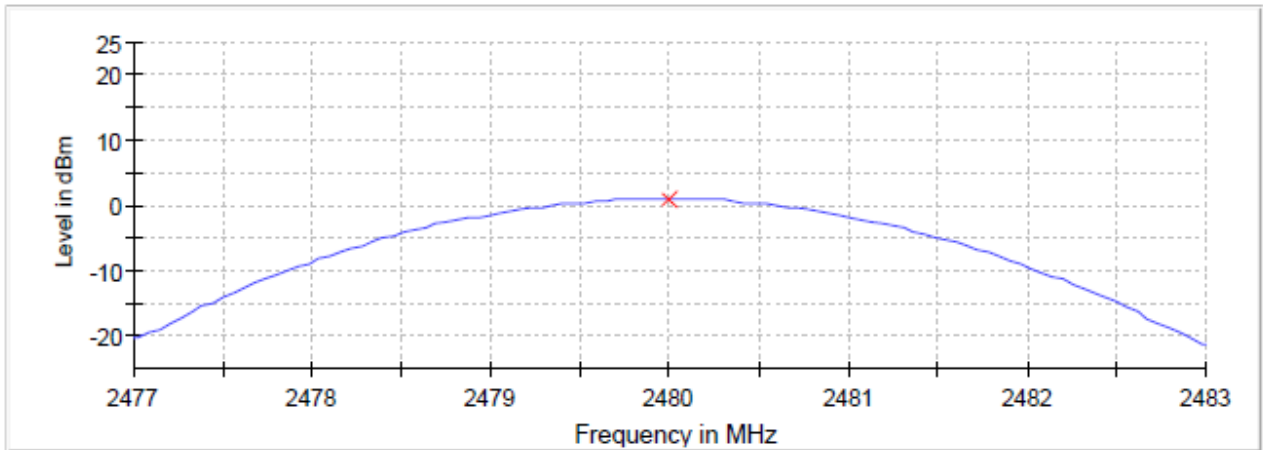


Radio Technology = Bluetooth EDR 2, Operating Frequency = high  
(S01\_AA01)

Peak Power



Radio Technology = Bluetooth EDR 3, Operating Frequency = high  
(S01\_AA01)  
Peak Power



### 5.3.5 TEST EQUIPMENT USED

- R&S TS8997

## 5.4 SPURIOUS RF CONDUCTED EMISSIONS

Standard **FCC Part 15 Subpart C**

**The test was performed according to:**  
ANSI C63.10, chapter 11.11

### 5.4.1 TEST DESCRIPTION

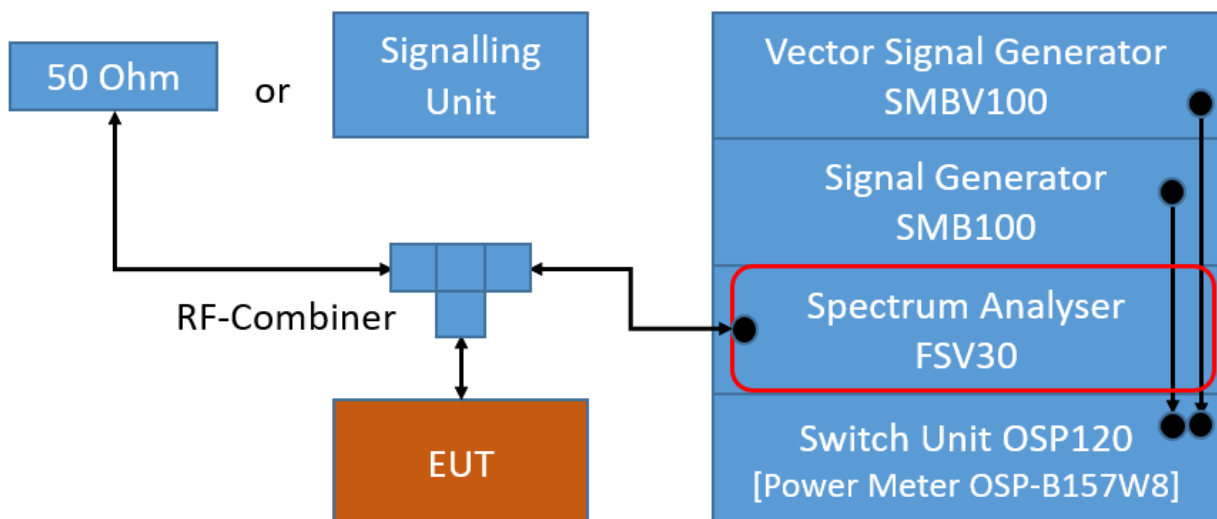
The Equipment Under Test (EUT) was set up to perform the spurious emissions measurements.

The EUT was connected to the test system as described in the block diagram below. The complete attenuation of the measurement path is known and considered.

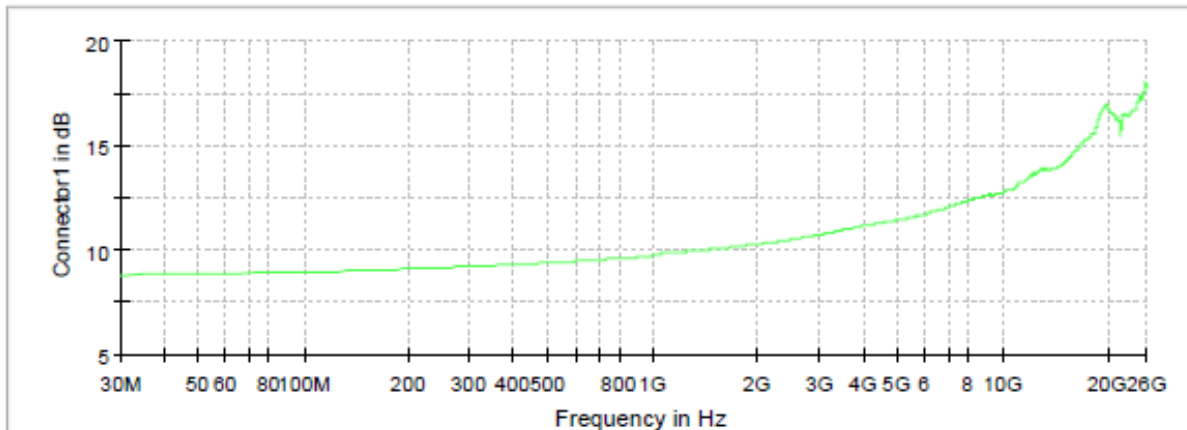
Analyser settings:

- Frequency range: 30 – 26000 MHz
- Resolution Bandwidth (RBW): 100 kHz
- Video Bandwidth (VBW): 300 kHz
- Trace: Maxhold
- Sweeps: Till Stable (max. 120)
- Sweep Time: Auto
- Detector: Peak

The reference value for the measurement of the spurious RF conducted emissions is determined during the test "band edge compliance conducted". This value is used to calculate the 20 dBc or 30 dBc limit.



TS8997; Spurious RF Conducted Emissions



Connector1

Attenuation of the measurement part

#### 5.4.2 TEST REQUIREMENTS / LIMITS

FCC Part 15, Subpart C, §15.247 (c)

In any 100 kHz bandwidth outside the frequency band in which the spread spectrum intentional radiator is operating, the radio frequency power that is produced by the intentional radiator shall be at least 20 dB below that in the 100 kHz bandwidth within the band that contains the highest level of the desired power, based on either an RF conducted or a radiated measurement, provided the transmitter demonstrates compliance with the peak conducted power limits. If the transmitter complies with the conducted power limits based on the use of RMS averaging over a time interval, as permitted under paragraph (b)(3) of this section, the attenuation required under this paragraph shall be 30 dB instead of 20 dB.

### 5.4.3 TEST PROTOCOL

Ambient temperature: 25 °C  
 Air Pressure: 1000 hPa  
 Humidity: 40 %  
 BT GFSK (1-DH1)

Channel No	Channel Center Freq. [MHz]	Spurious Freq. [MHz]	Spurious Level [dBm]	Detector	RBW [kHz]	Ref. Level [dBm]	Limit [dBm]	Margin to Limit [dB]
0	2402	4807.2	-49.4	PEAK	100	2.9	-17.1	32.3
39	2441	4887.1	-49.2	PEAK	100	3.1	-16.9	32.3
78	2480	4957.1	-52.3	PEAK	100	-3.3	-23.3	29.0

BT n/4 DQPSK (2-DH1)

Channel No	Channel Center Freq. [MHz]	Spurious Freq. [MHz]	Spurious Level [dBm]	Detector	RBW [kHz]	Ref. Level [dBm]	Limit [dBm]	Margin to Limit [dB]
0	2402	2395.0	-51.8	PEAK	100	2.8	-17.2	34.6
39	2441	4877.1	-52.8	PEAK	100	3.8	-16.2	36.6
78	2480	4957.1	-59.4	PEAK	100	-8.6	-28.6	30.8

BT 8-DPSK (3-DH1)

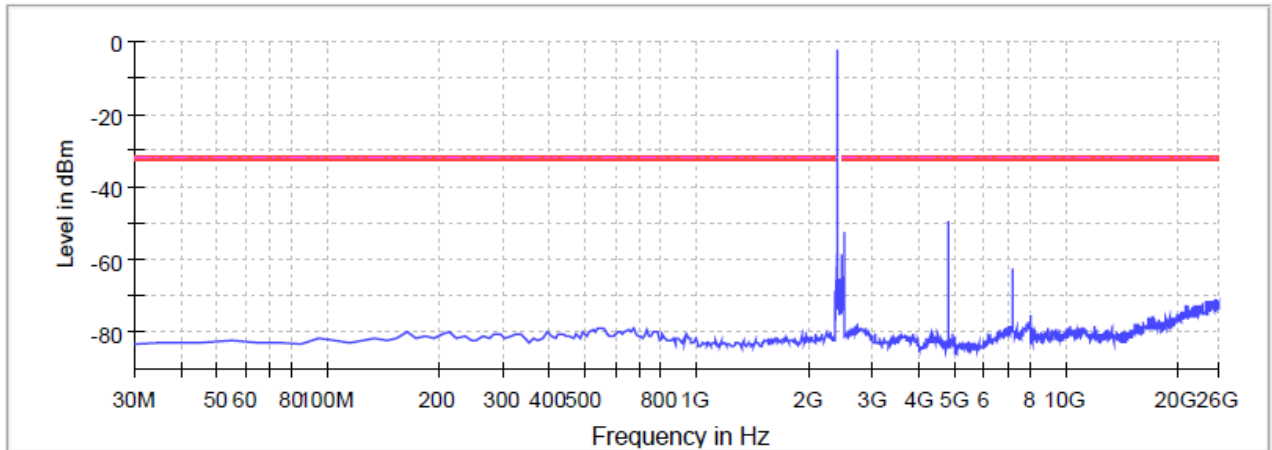
Channel No	Channel Center Freq. [MHz]	Spurious Freq. [MHz]	Spurious Level [dBm]	Detector	RBW [kHz]	Ref. Level [dBm]	Limit [dBm]	Margin to Limit [dB]
0	2402	2508.5	-54.0	PEAK	100	-0.2	-20.2	33.8
39	2441	4877.1	-53.1	PEAK	100	2.7	-17.3	35.8
78	2480	2375.1	-58.1	PEAK	100	1.1	-18.9	39.2

Remark: Please see next sub-clause for the measurement plot.

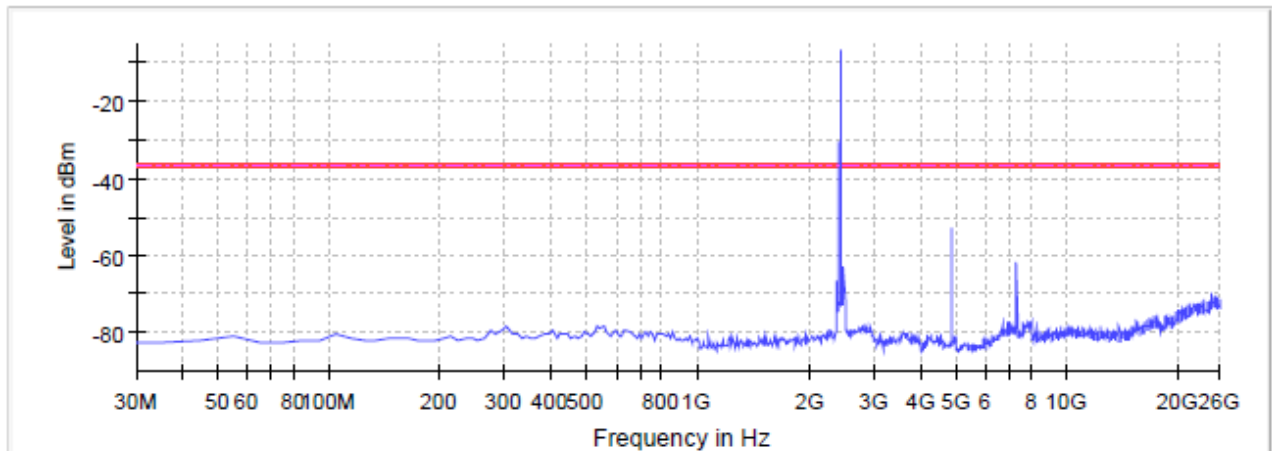


#### 5.4.4 MEASUREMENT PLOT (EXAMPLE PLOT, SHOWING WORST CASE, IF APPLICABLE)

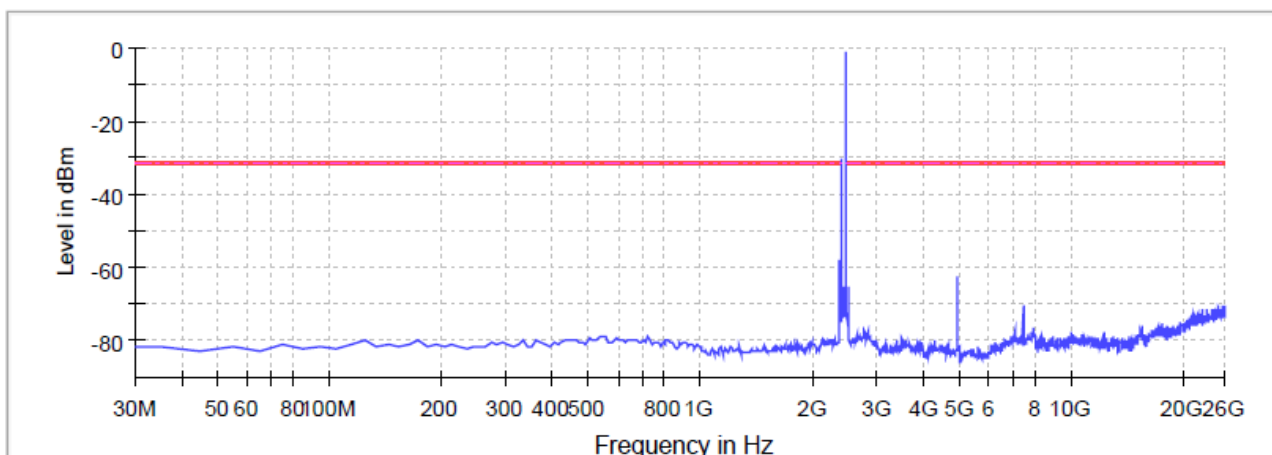
Radio Technology = Bluetooth BDR, Operating Frequency = low (S01\_AA01)  
Spurious



Radio Technology = Bluetooth EDR 2, Operating Frequency = mid (S01\_AA01)  
Spurious



Radio Technology = Bluetooth EDR 3, Operating Frequency = high (S01\_AA01)  
Spurious



#### 5.4.5 TEST EQUIPMENT USED

- R&S TS8997

## 5.5 TRANSMITTER SPURIOUS RADIATED EMISSIONS

Standard **FCC Part 15 Subpart C**

**The test was performed according to:**

ANSI C63.10, chapter 6.4, 6.5, 6.6.5

### 5.5.1 TEST DESCRIPTION

The test set-up was made in accordance to the general provisions of ANSI C63.10 in a typical installation configuration. The measurements were performed according the following sub-chapters of ANSI C63.10:

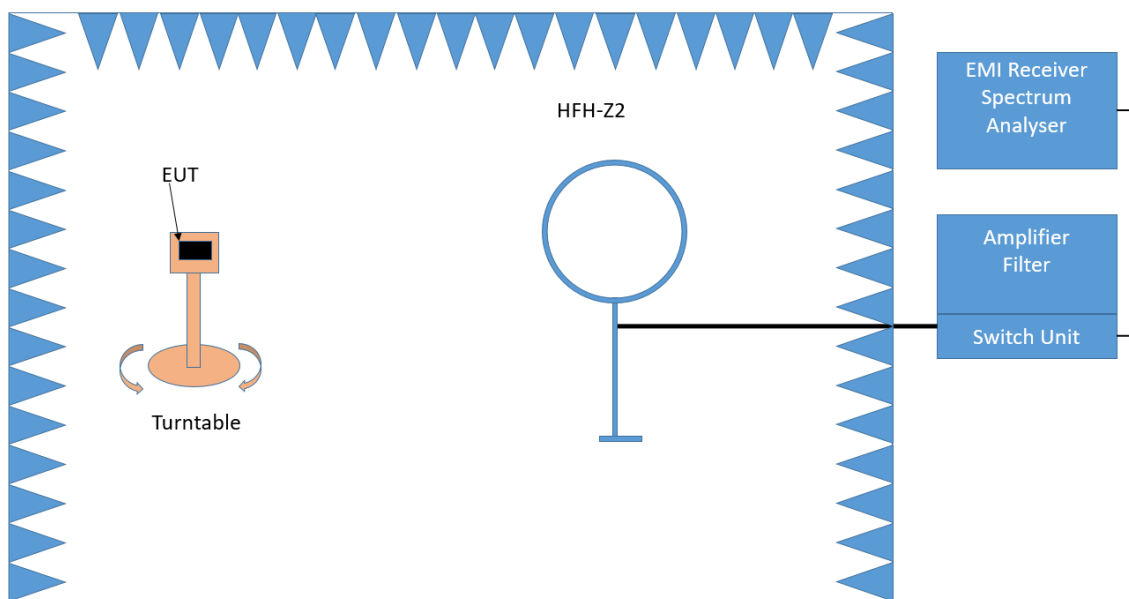
- < 30 MHz: Chapter 6.4
- 30 MHz – 1 GHz: Chapter 6.5
- > 1 GHz: Chapter 6.6 (procedure according 6.6.5 used)

The measurement procedure is implemented into the EMI test software EMC32 from R&S. Exploratory tests are performed at 3 orthogonal axes to determine the worst-case orientation of a body-worn or handheld EUT. The final test on all kind of EUTs is also performed at 3 axes. A pre-check is performed while the EUT is powered.

#### **Below 1 GHz:**

The Equipment Under Test (EUT) was set up on a non-conductive table in the semi-anechoic chamber. The influence of the EUT support table that is used between 30–1000 MHz was evaluated.

#### **1. Measurement up to 30 MHz**



Test Setup; Spurious Emission Radiated (SAC), 9 kHz – 30 MHz

The Loop antenna HFH2-Z2 is used.

#### **Step 1:** pre measurement

- Anechoic chamber
- Antenna distance: 3 m
- Antenna height: 1 m
- Detector: Peak-Maxhold
- Frequency range: 0.009 - 0.15 MHz and 0.15 - 30 MHz
- Frequency steps: 0.05 kHz and 2.25 kHz
- IF-Bandwidth: 0.2 kHz and 9 kHz
- Measuring time / Frequency step: 100 ms (FFT-based)

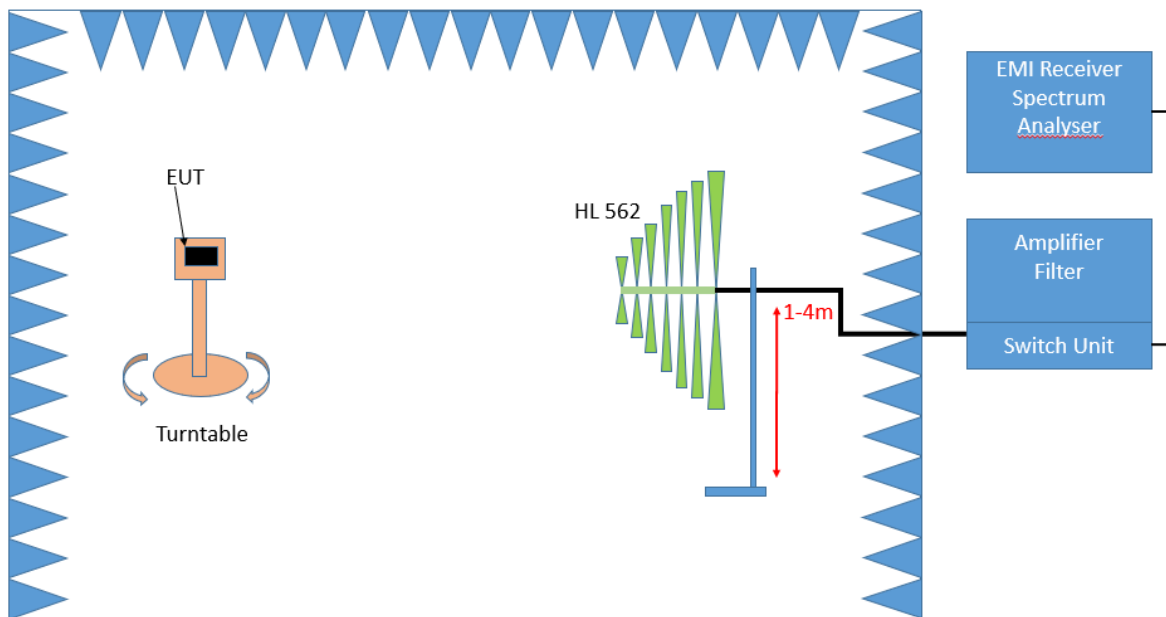
Intention of this step is, to determine the radiated EMI-profile of the EUT. Afterwards the relevant emissions for the final measurement are identified.

### Step 2: final measurement

For the relevant emissions determined in step 1, an additional measurement with the following settings will be performed. Intention of this step is to find the maximum emission level.

- Detector: Quasi-Peak (9 kHz - 150 kHz, Peak / Average 150 kHz- 30 MHz)
- Frequency range: 0.009 - 30 MHz
- Frequency steps: measurement at frequencies detected in step 1
- IF-Bandwidth: 0.2 - 10 kHz
- Measuring time / Frequency step: 1 s

## 2. Measurement above 30 MHz and up to 1 GHz



Test Setup; Spurious Emission Radiated (SAC), 30 MHz- 1GHz

### Step 1: Preliminary scan

This is a preliminary test to identify the highest amplitudes relative to the limit.

Settings for step 1:

- Antenna distance: 3 m
- Detector: Peak-Maxhold / Quasipeak (FFT-based)
- Frequency range: 30 - 1000 MHz
- Frequency steps: 30 kHz
- IF-Bandwidth: 120 kHz
- Measuring time / Frequency step: 100 ms
- Turntable angle range: -180° to 90°
- Turntable step size: 90°

- Height variation range: 1 – 4 m
- Height variation step size: 1.5 m
- Polarisation: Horizontal + Vertical

Intention of this step is, to determine the radiated EMI-profile of the EUT. Afterwards the relevant emissions for the final measurement are identified.

### **Step 2:** Adjustment measurement

In this step the accuracy of the turntable azimuth and antenna height will be improved. This is necessary to find out the maximum value of every frequency.

For each frequency, which was determined the turntable azimuth and antenna height will be adjusted. The turntable azimuth will slowly vary by 360°. During this action, the value of emission is continuously measured. The turntable azimuth at the highest emission will be recorded and adjusted. In this position, the antenna height will also slowly vary between 1 – 4 meter. During this action, the value of emission is also continuously measured. The antenna height of the highest emission will also be recorded and adjusted.

- Detector: Peak – Maxhold
- Measured frequencies: in step 1 determined frequencies
- IF – Bandwidth: 120 kHz
- Measuring time: 100 ms
- Turntable angle range: 360 °
- Height variation range: 1 – 4 m
- Antenna Polarisation: max. value determined in step 1

### **Step 3:** Final measurement with QP detector

With the settings determined in step 2, the final measurement will be performed:

EMI receiver settings for step 3:

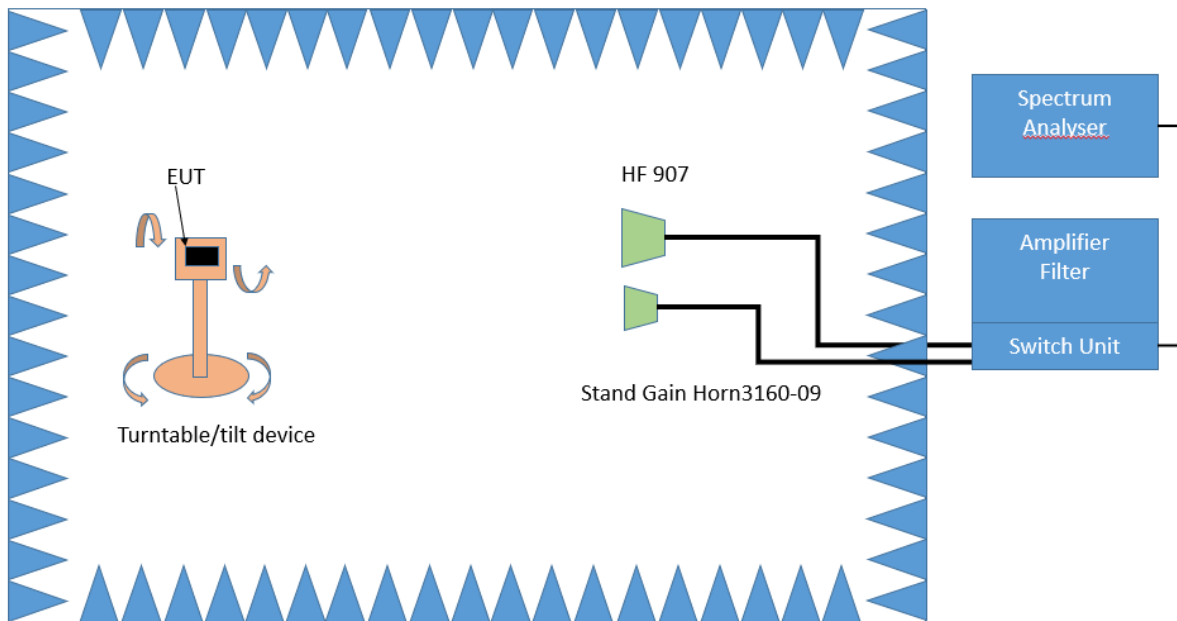
- Detector: Quasi-Peak (< 1 GHz)
- Measured frequencies: in step 1 determined frequencies
- IF – Bandwidth: 120 kHz
- Measuring time: 1 s

After the measurement a plot will be generated which contains a diagram with the results of the preliminary scan and a chart with the frequencies and values of the results of the final measurement.

### Above 1 GHz:

The Equipment Under Test (EUT) was set up on a non-conductive support (tilt device) at 1.5 m height in the fully-anechoic chamber. All steps were performed with one height (1.5 m) of the receiving antenna only.

### 3. Measurement above 1 GHz



Test Setup; Spurious Emission Radiated (FAC), 1 GHz-26.5 GHz

#### Step 1:

The EUT is turned during the preliminary measurement across the elevation axis, with a step size of 90 °.

The turn table step size (azimuth angle) for the preliminary measurement is 45 °.

Spectrum analyser settings:

- Detector: Peak, Average
- RBW = 1 MHz
- VBW = 3 MHz

#### Step 2:

The turn table azimuth will slowly vary by  $\pm 22.5^\circ$ .

The elevation angle will slowly vary by  $\pm 45^\circ$

Spectrum analyser settings:

- Detector: Peak

#### Step 3:

Spectrum analyser settings for step 3:

- Detector: Peak / CISPR Average
- Measured frequencies: in step 1 determined frequencies
- RBW = 1 MHz
- VBW = 3 MHz
- Measuring time: 1 s

## 5.5.2 TEST REQUIREMENTS / LIMITS

FCC Part 15, Subpart C, §15.247 (d)

... In addition, radiated emissions which fall in the restricted bands, as defined in Section 15.205(a), must also comply with the radiated emission limits specified in Section 15.209(a) (see Section 15.205(c)).

FCC Part 15, Subpart C, §15.209, Radiated Emission Limits

Frequency in MHz	Limit ( $\mu\text{V}/\text{m}$ )	Measurement distance (m)	Limits ( $\text{dB}\mu\text{V}/\text{m}$ )
0.009 – 0.49	2400/F(kHz)@300m	3	(48.5 – 13.8)@300m
0.49 – 1.705	24000/F(kHz)@30m	3	(33.8 – 23.0)@30m
1.705 – 30	30@30m	3	29.5@30m

The measured values are corrected with an inverse linear distance extrapolation factor (40 dB/decade) according FCC 15.31 (2).

Frequency in MHz	Limit ( $\mu\text{V}/\text{m}$ )	Measurement distance (m)	Limits ( $\text{dB}\mu\text{V}/\text{m}$ )
30 – 88	100@3m	3	40.0@3m
88 – 216	150@3m	3	43.5@3m
216 – 960	200@3m	3	46.0@3m
960 - 26000	500@3m	3	54.0@3m
26000 - 40000	500@3m	1	54.0@3m

The measured values above 26 GHz are corrected with an inverse linear distance extrapolation factor (20 dB/decade).

§15.35(b) ..., there is also a limit on the radio frequency emissions, as measured using instrumentation with a peak detector function, corresponding to 20 dB above the maximum permitted average limit....

Used conversion factor:  $\text{Limit (dB}\mu\text{V}/\text{m)} = 20 \log (\text{Limit } (\mu\text{V}/\text{m})/1\mu\text{V}/\text{m})$

### 5.5.3 TEST PROTOCOL

Ambient temperature: 26 °C  
 Air Pressure: 998 hPa  
 Humidity: 43 %  
 BT GFSK (1-DH1)  
 Applied duty cycle correction (AV):  
 0 dB

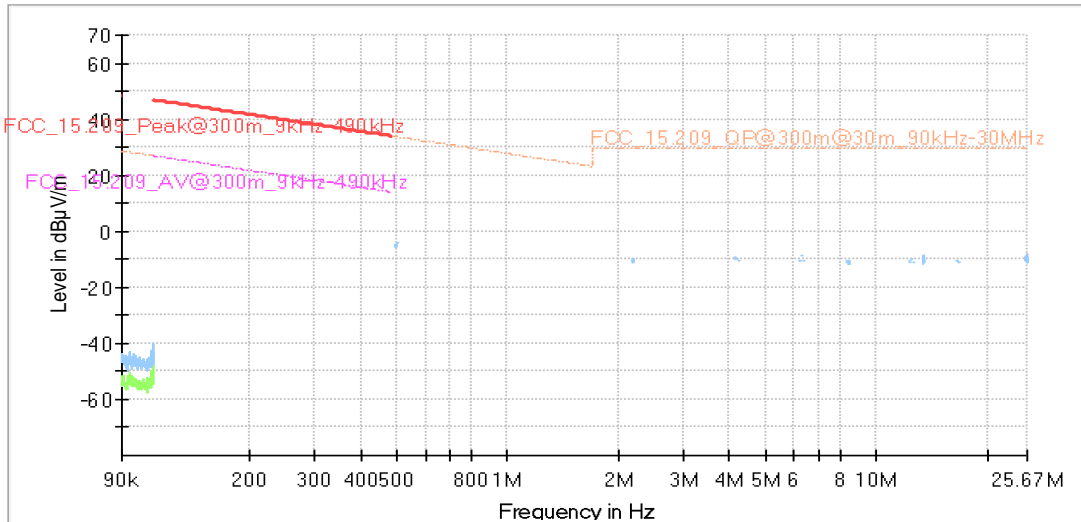
Ch. No.	Ch. Center Freq. [MHz]	Spurious Freq. [MHz]	Spurious Level [dB $\mu$ V/m]	Detector	RBW [kHz]	Limit [dB $\mu$ V/m]	Margin to Limit [dB]	Limit Type
0	2402	256.3	38.0	QP	120	46.0	8.0	RB
0	2402	280.5	36.4	QP	120	46.0	9.6	RB
0	2402	333.3	34.3	QP	120	46.0	11.7	RB
0	2402	407.0	35.7	QP	120	46.0	10.3	RB
39	2441	272.6	31.6	QP	120	46.0	14.4	RB
39	2441	276.6	32.9	QP	120	46.0	13.1	RB
39	2441	256.3	34.0	QP	120	46.0	12.1	RB
39	2441	407.0	34.5	QP	120	46.0	11.5	RB
39	2441	15595.2	54.5	PEAK	1000	74.0	19.5	RB
39	2441	15595.2	41.7	AV	1000	54.0	12.3	RB
39	2441	17796.5	45.5	AV	1000	54.0	8.5	RB
39	2441	17796.1	58.7	PEAK	1000	74.0	15.3	RB
78	2480	256.3	35.2	QP	120	46.0	10.8	RB
78	2480	284.7	28.8	QP	120	46.0	17.3	RB
78	2480	333.3	34.2	QP	120	46.0	11.8	RB
78	2480	407.0	33.6	QP	120	46.0	12.4	RB

Remark: Please see next sub-clause for the measurement plot.

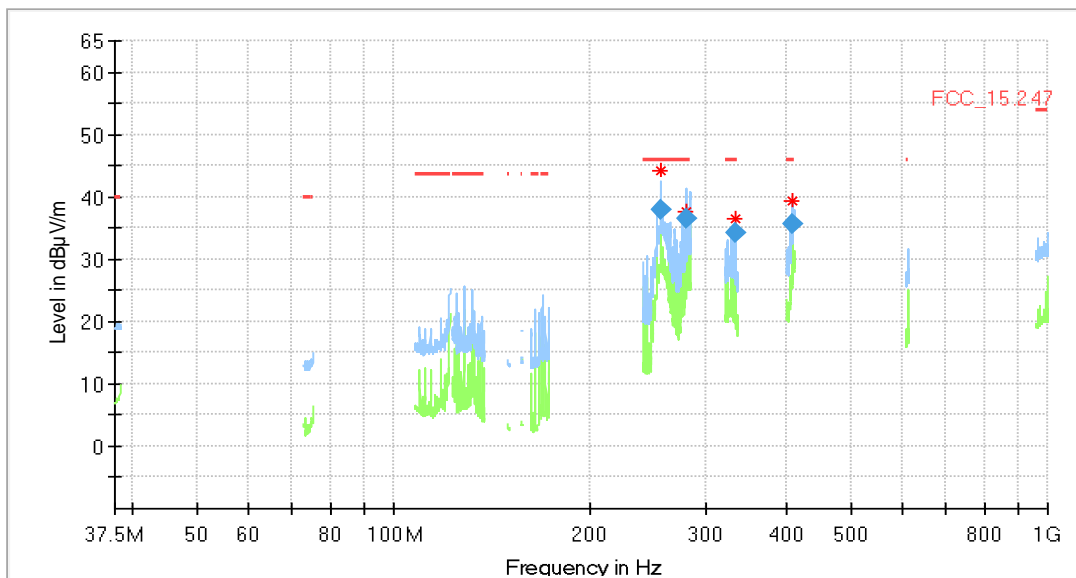


### 5.5.4 MEASUREMENT PLOT (EXAMPLE PLOT, SHOWING WORST CASE, IF APPLICABLE)

Radio Technology = Bluetooth BDR, Operating Frequency = mid,  
 Measurement range = 9 kHz - 30 MHz  
 (S02\_AA01)



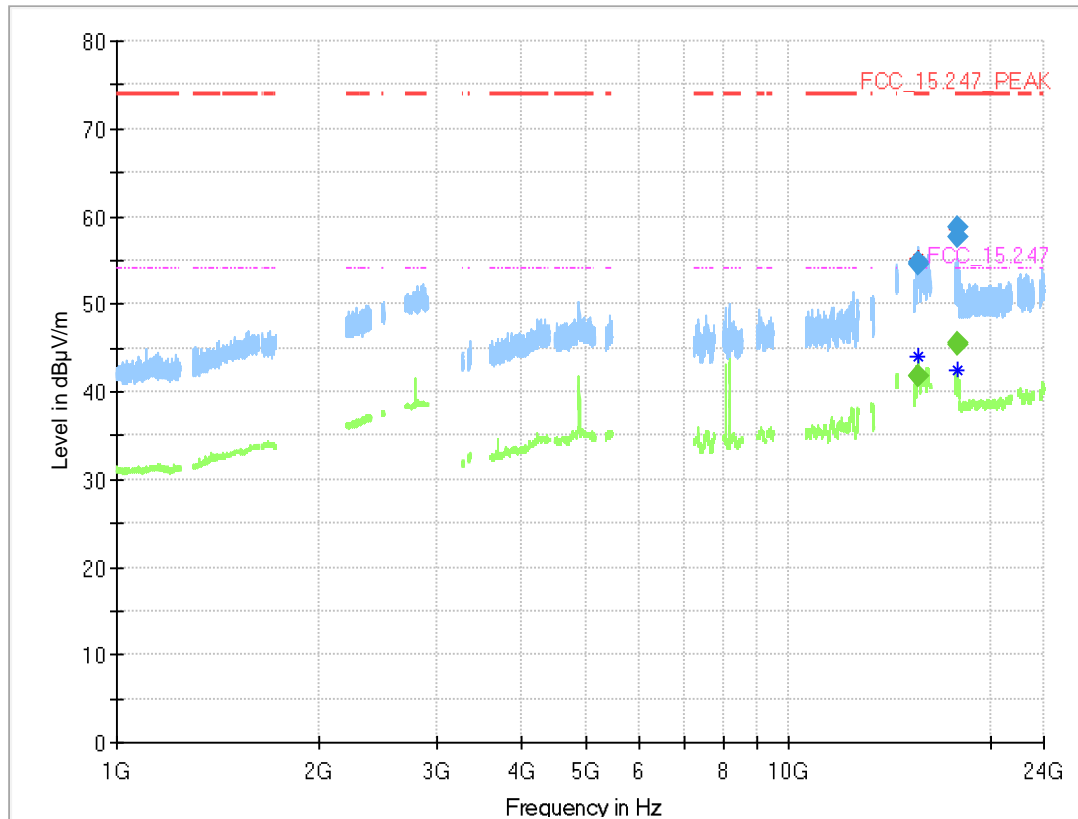
Radio Technology = Bluetooth BDR, Operating Frequency = mid,  
 Measurement range = 30 MHz - 1 GHz  
 (S02\_AA01)



### Final\_Result

Frequency (MHz)	QuasiPeak (dBµV/m)	Limit (dBµV/m)	Margin (dB)	Meas. Time (ms)	Bandwidth (kHz)	Height (cm)	Pol	Azimuth (deg)	Corr. (dB/m)
256.260000	38.02	46.00	7.98	1000.0	120.000	123.0	H	244.0	12.3
280.530000	36.37	46.00	9.63	1000.0	120.000	134.0	H	60.0	13.2
333.340000	34.31	46.00	11.69	1000.0	120.000	116.0	V	305.0	15.2
406.980000	35.66	46.00	10.34	1000.0	120.000	100.0	H	86.0	17.2

Radio Technology = Bluetooth BDR, Operating Frequency = mid,  
Measurement range = 1 GHz – 26 GHz  
(S02\_AA01)



### Final Result

Frequency (MHz)	MaxPeak (dBµV/m)	CAverage (dBµV/m)	Limit (dBµV/m)	Margin (dB)	Meas. Time (ms)	Bandwidth (kHz)	Height (cm)	Pol	Azimuth (deg)	Elevation (deg)	Corr. (dB/m)
15595.225	---	41.7	54.00	12.27	1000.0	1000.000	150.0	H	-109.0	82.0	-1.1
15595.225	54.5	---	74.00	19.47	1000.0	1000.000	150.0	H	-109.0	82.0	-1.1
15595.508	---	41.8	54.00	12.22	1000.0	1000.000	150.0	V	154.0	2.0	-1.1
15595.508	54.7	---	74.00	19.31	1000.0	1000.000	150.0	V	154.0	2.0	-1.1
17796.150	---	45.5	54.00	8.52	1000.0	1000.000	150.0	V	-79.0	86.0	1.3
17796.150	57.7	---	74.00	16.26	1000.0	1000.000	150.0	V	-79.0	86.0	1.3
17806.350	---	45.4	54.00	8.61	1000.0	1000.000	150.0	V	67.0	81.0	1.3
17806.350	58.7	---	74.00	15.26	1000.0	1000.000	150.0	V	67.0	81.0	1.3

### 5.5.5 TEST EQUIPMENT USED

- Radiated Emissions FAR 2.4 GHz FCC
- Radiated Emissions SAC H-Field
- Radiated Emissions SAC up to 1 GHz

## 5.6 BAND EDGE COMPLIANCE CONDUCTED

Standard **FCC Part 15 Subpart C**

**The test was performed according to:**  
ANSI C63.10, chapter 11.11

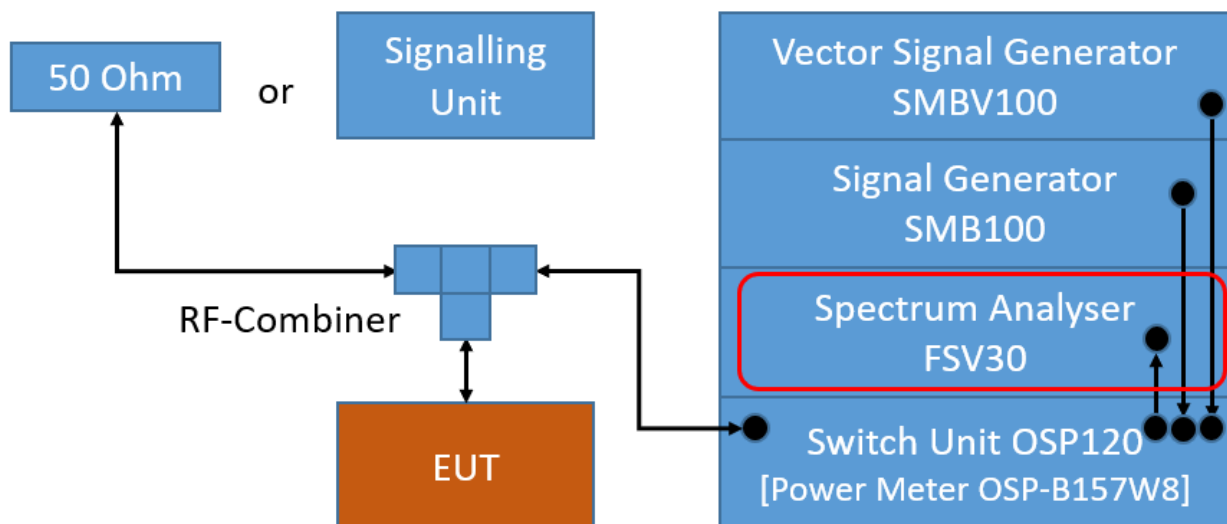
### 5.6.1 TEST DESCRIPTION

For the conducted measurement, the Equipment Under Test (EUT) is placed in a shielded room. The reference power was measured in the test case "Spurious RF Conducted Emissions".

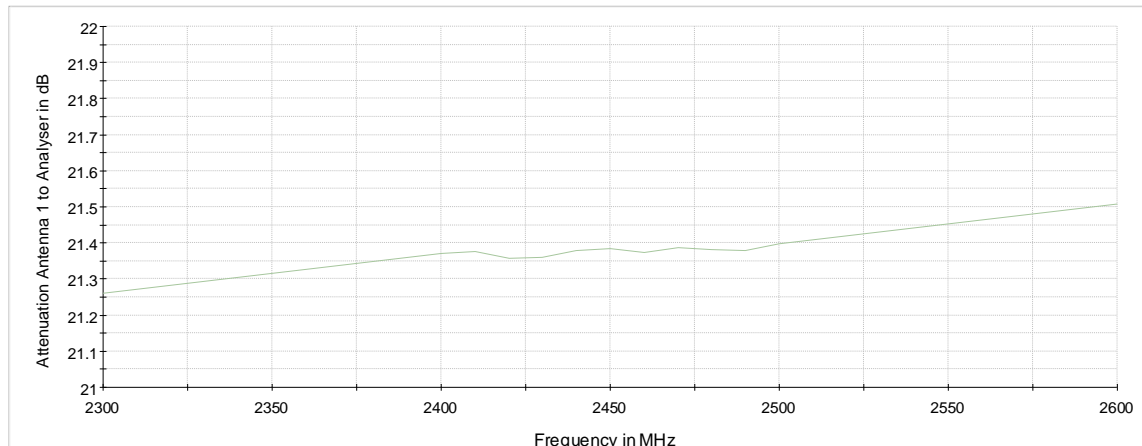
The EUT was connected to the test system as described in the block diagram below. The complete attenuation of the measurement path is known and considered.

Analyser settings:

- Lower Band Edge:  
Measured range: 2310.0 MHz to 2483.5 MHz
- Upper Band Edge  
Measured range: 2400.0 MHz to 2500 MHz
- Detector: Peak
- Resolution Bandwidth (RBW): 100 kHz
- Video Bandwidth (VBW): 300 kHz
- Sweptime: Auto
- Sweeps: Till stable (min. 300, max. 15000)
- Trace: Maxhold



TS8997; Band Edge Conducted



Attenuation of the measurement path

## 5.6.2 TEST REQUIREMENTS / LIMITS

### FCC Part 15.247 (d)

“In any 100 kHz bandwidth outside the frequency band in which the spread spectrum or digitally modulated intentional radiator is operating, the radio frequency power that is produced by the intentional radiator shall be at least 20 dB below that in the 100 kHz bandwidth within the band that contains the highest level of the desired power, based on either an RF conducted or a radiated measurement, provided the transmitter demonstrates compliance with the peak conducted power limits. ...

If the transmitter complies with the conducted power limits based on the use of RMS averaging over a time interval, as permitted under paragraph (b)(3) of this section, the attenuation required under this paragraph shall be 30 dB instead of 20 dB. Attenuation below the general limits specified in Section 15.209(a) is not required. In addition, radiated emissions which fall in the restricted bands, as defined in Section 15.205(a), must also comply with the radiated emission limits specified in Section 15.209(a) (see Section 15.205(c)).”

For the conducted measurement the RF power at the band edge shall be “at least 20 dB below that in the 100 kHz bandwidth within the band that contains the highest level of the desired power...”

### 5.6.3 TEST PROTOCOL

Ambient temperature: 25 °C  
 Air Pressure: 1000 hPa  
 Humidity: 40 %  
 BT GFSK (1-DH1)

Channel No.	Channel Center Frequency [MHz]	Band Edge Freq. [MHz]	Spurious Level [dBm]	Detector	RBW [kHz]	Ref. Level [dBm]	Limit [dBm]	Margin to Limit [dB]
0	2402	2400.0	-52.2	PEAK	100	-0.8	-20.8	31.4
78	2480	2483.5	-56.7	PEAK	100	1.3	-18.7	38.0
hopping	hopping	2400.0	-56.5	PEAK	100	3.0	-17.0	39.5
hopping	hopping	2483.5	-53.6	PEAK	100	2.9	-17.1	36.5

BT n/4 DQPSK (2-DH1)

Channel No.	Channel Center Frequency [MHz]	Band Edge Freq. [MHz]	Spurious Level [dBm]	Detector	RBW [kHz]	Ref. Level [dBm]	Limit [dBm]	Margin to Limit [dB]
0	2402	2400.0	-45.0	PEAK	100	-2.6	-22.6	22.4
78	2480	2483.5	-56.0	PEAK	100	-0.7	-20.7	35.3
hopping	hopping	2400.0	-52.1	PEAK	100	1.2	-18.8	33.3
hopping	hopping	2483.5	-54.7	PEAK	100	1.1	-18.9	35.8

BT 8-DPSK (3-DH1)

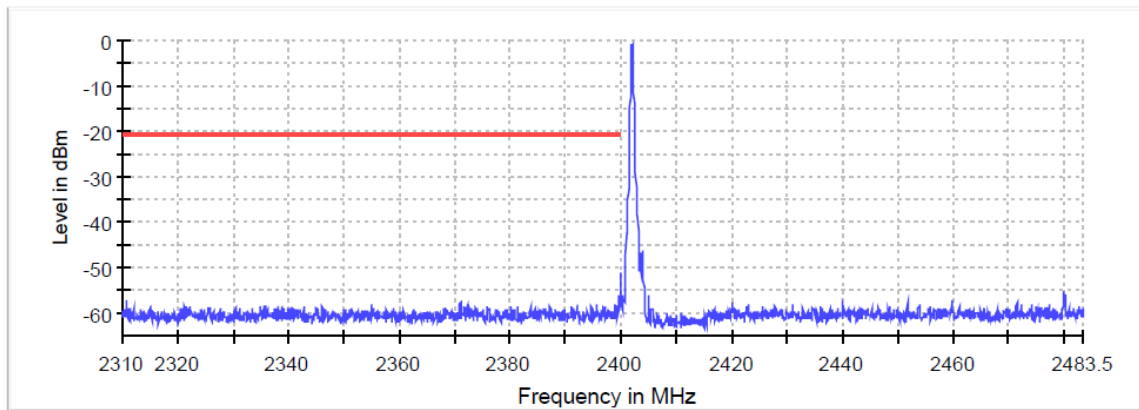
Channel No.	Channel Center Frequency [MHz]	Band Edge Freq. [MHz]	Spurious Level [dBm]	Detector	RBW [kHz]	Ref. Level [dBm]	Limit [dBm]	Margin to Limit [dB]
0	2402	2400.0	-44.1	PEAK	100	-2.6	-22.6	21.5
78	2480	2483.5	-56.4	PEAK	100	-0.8	-20.8	35.6
hopping	hopping	2400.0	-49.9	PEAK	100	1.1	-18.9	31.0
hopping	hopping	2483.5	-54.5	PEAK	100	1.0	-19.0	35.5

Remark: Please see next sub-clause for the measurement plot.

### 5.6.4 MEASUREMENT PLOT (EXAMPLE PLOT, SHOWING WORST CASE, IF APPLICABLE)

Radio Technology = Bluetooth BDR, Operating Frequency = low, Band Edge = low (S01\_AA01)

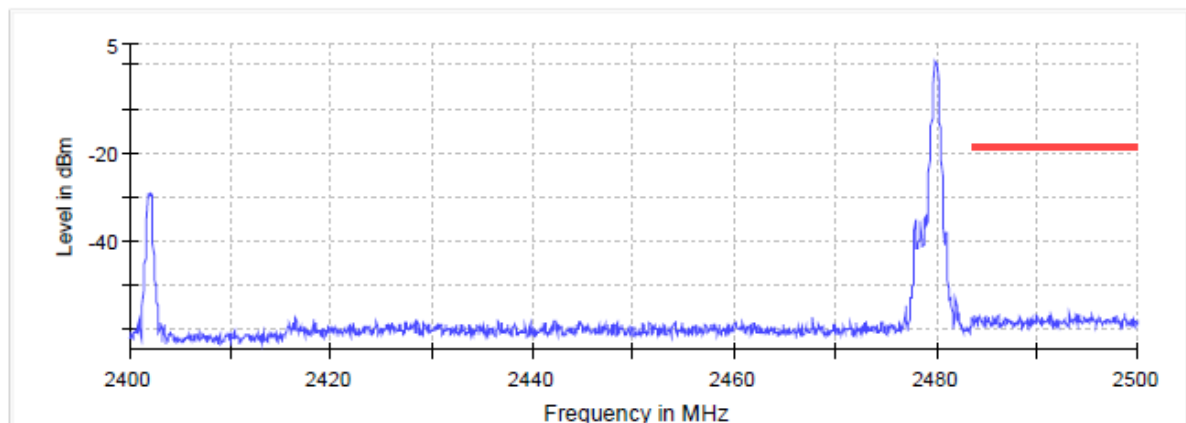
Band Edge



— Limit    — Sum Level    × Fail

Radio Technology = Bluetooth BDR, Operating Frequency = high, Band Edge = high (S01\_AA01)

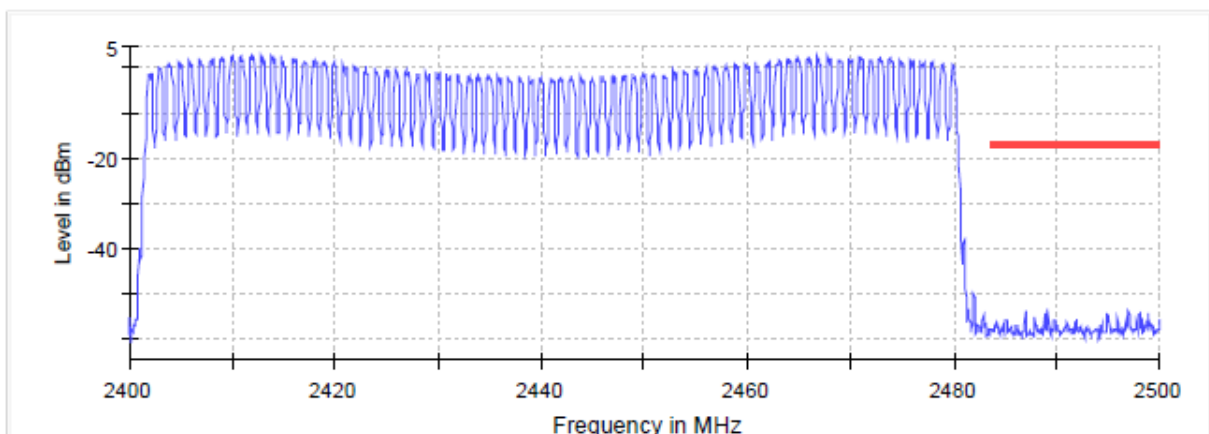
Band Edge



— Limit    — Sum Level    × Fail

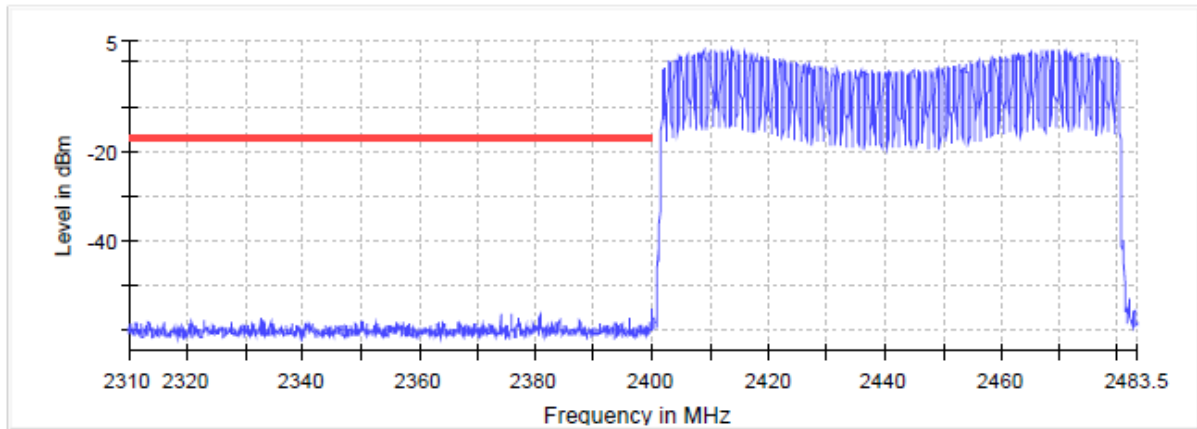
Radio Technology = Bluetooth BDR, Operating Frequency = hopping, Band Edge = low (S01\_AA01)

Band Edge



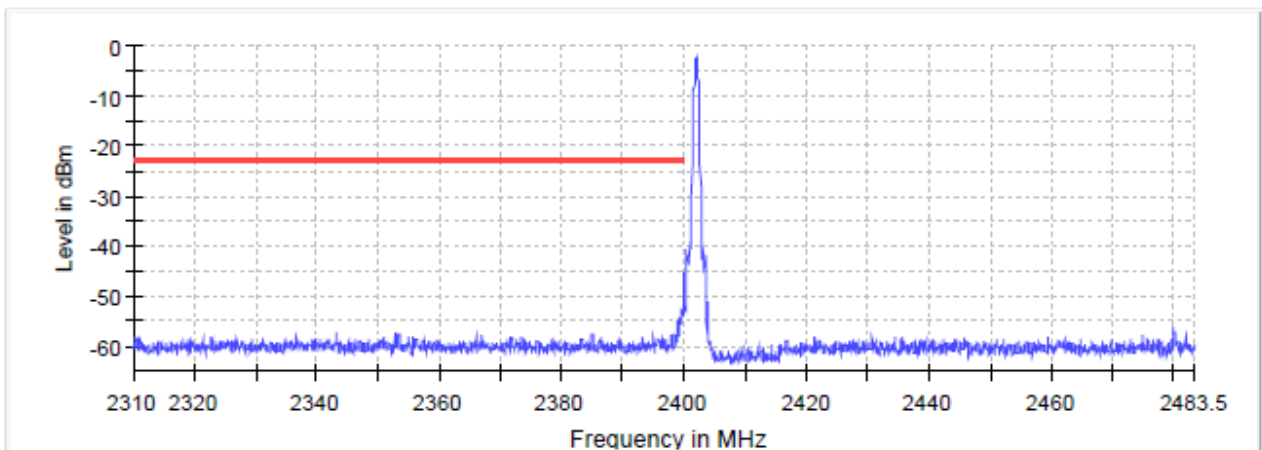
— Limit    — Sum Level    × Fail

Radio Technology = Bluetooth BDR, Operating Frequency = hopping, Band Edge = high (S01\_AA01)  
Band Edge



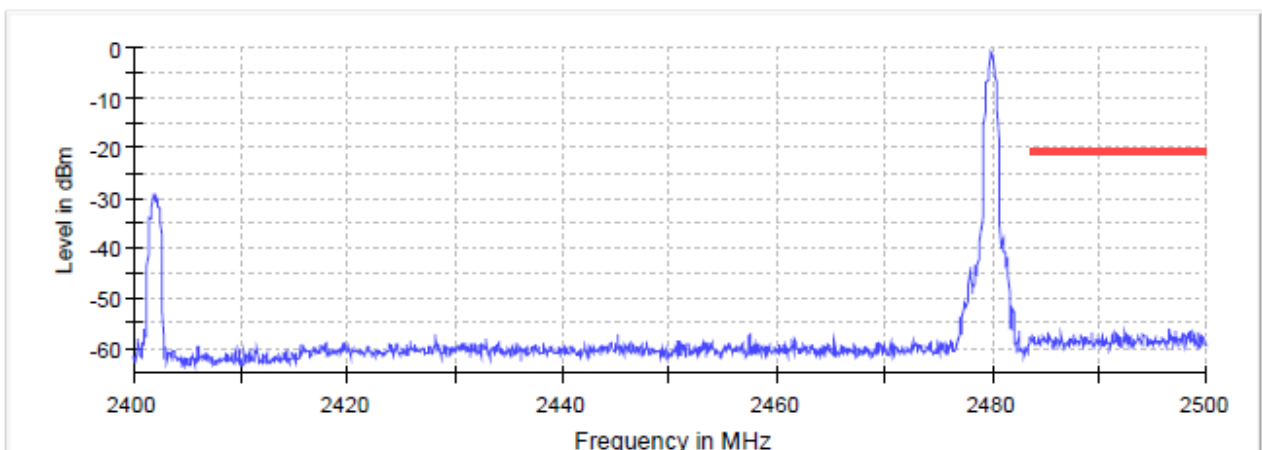
— Limit    — Sum Level    × Fail

Radio Technology = Bluetooth EDR 2, Operating Frequency = low, Band Edge = low (S01\_AA01)  
Band Edge



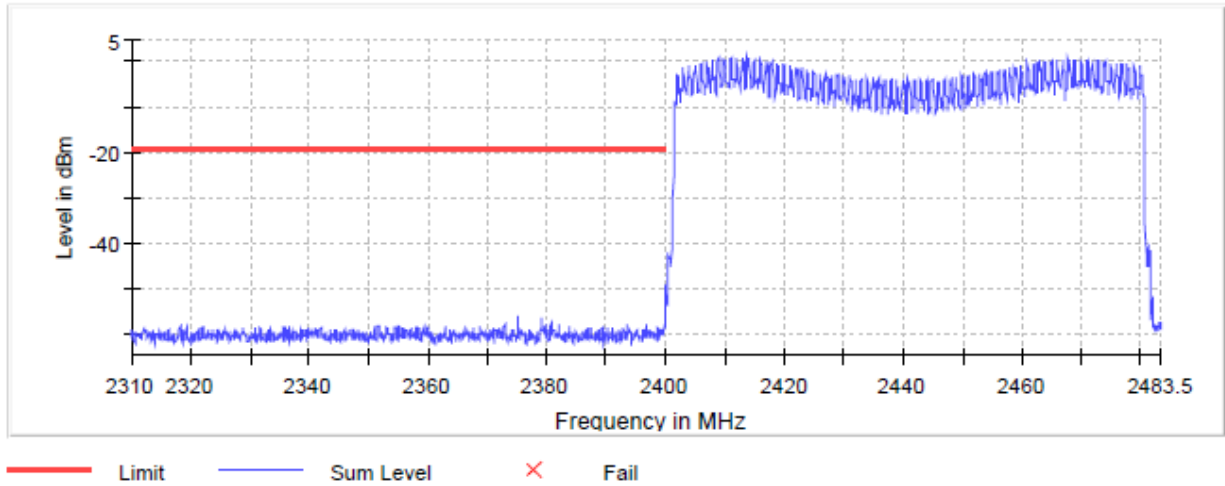
— Limit    — Sum Level    × Fail

Radio Technology = Bluetooth EDR 2, Operating Frequency = high, Band Edge = high (S01\_AA01)  
Band Edge

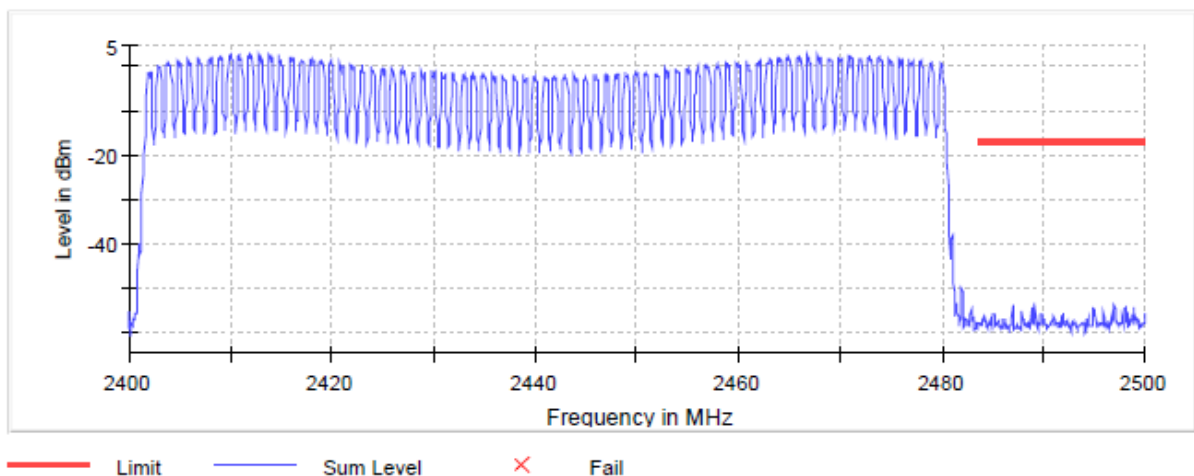


— Limit    — Sum Level    × Fail

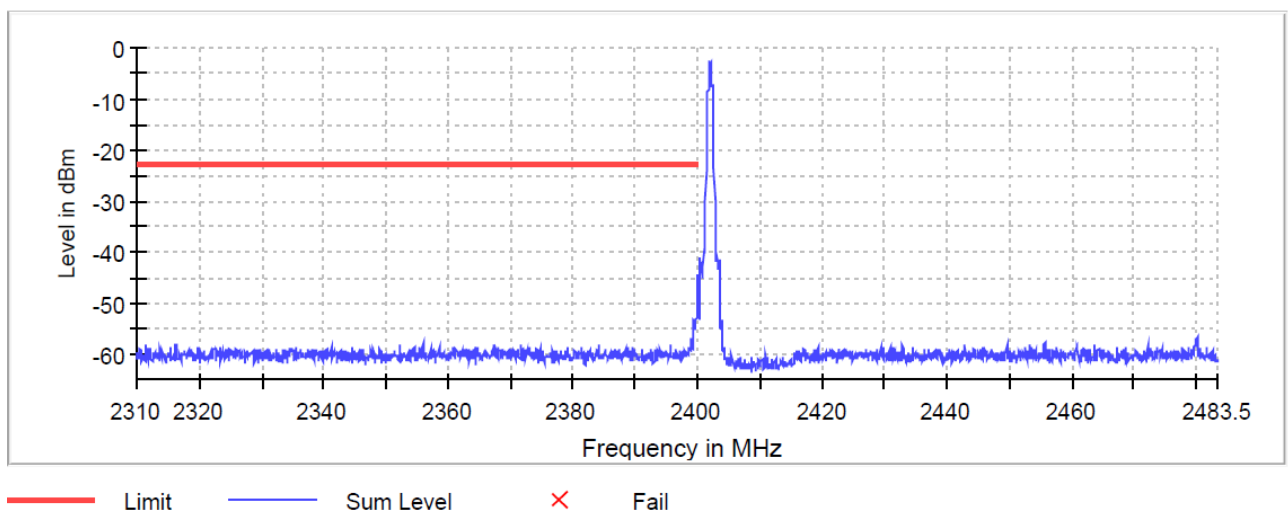
Radio Technology = Bluetooth EDR 2, Operating Frequency = hopping, Band Edge = low (S01\_AA01)  
Band Edge



Radio Technology = Bluetooth EDR 2, Operating Frequency = hopping, Band Edge = high (S01\_AA01)  
Band Edge



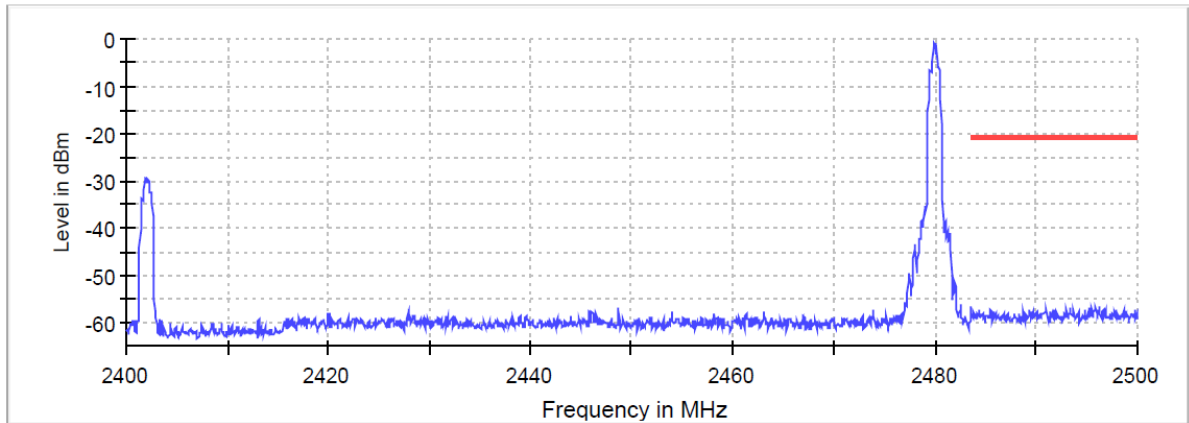
Radio Technology = Bluetooth EDR 3, Operating Frequency = low, Band Edge = low (S01\_AA01)  
Band Edge





Radio Technology = Bluetooth EDR 3, Operating Frequency = high, Band Edge = high (S01\_AA01)

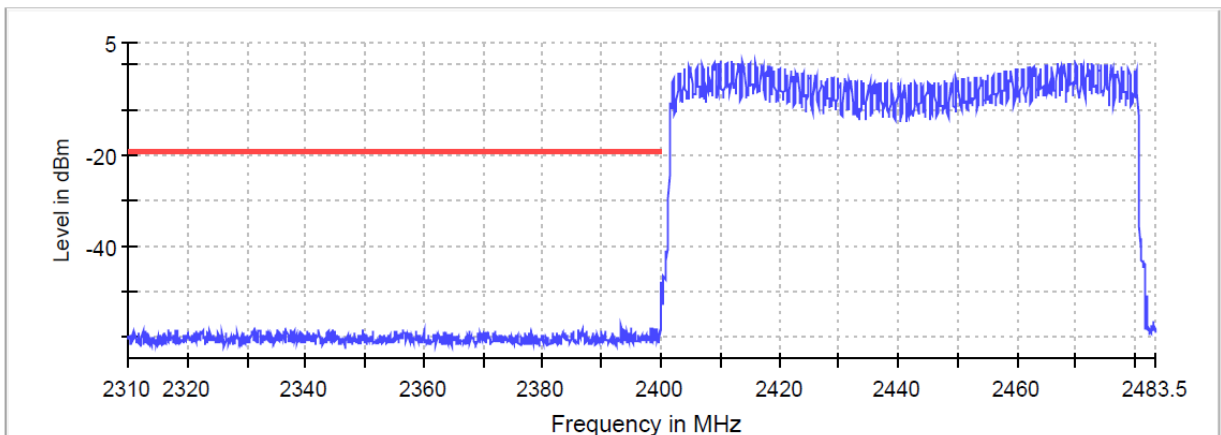
Band Edge



— Limit    — Sum Level    × Fail

Radio Technology = Bluetooth EDR 3, Operating Frequency = hopping, Band Edge = low (S01\_AA01)

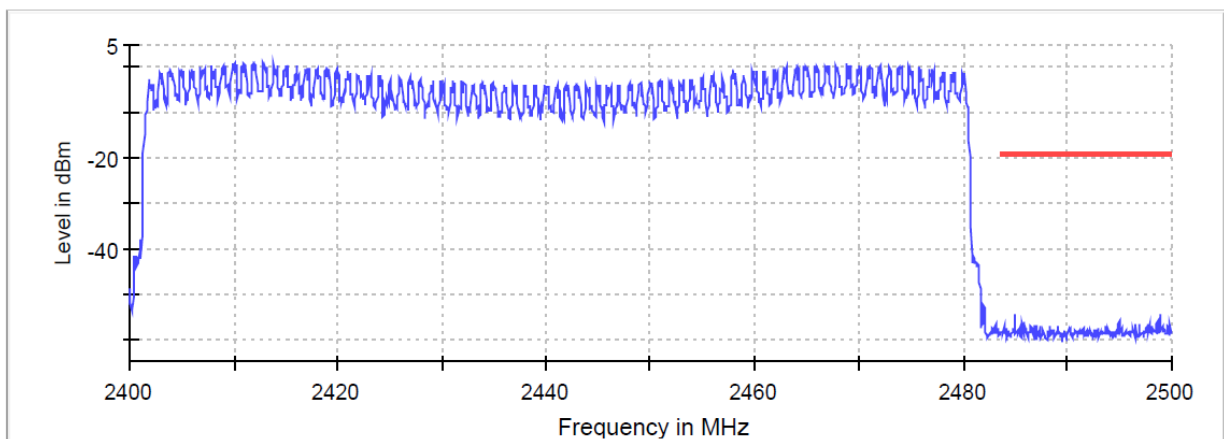
Band Edge



— Limit    — Sum Level    × Fail

Radio Technology = Bluetooth EDR 3, Operating Frequency = hopping, Band Edge = high (S01\_AA01)

Band Edge



— Limit    — Sum Level    × Fail

#### 5.6.5 TEST EQUIPMENT USED

- R&S TS8997

## 5.7 BAND EDGE COMPLIANCE RADIATED

Standard **FCC Part 15 Subpart C**

**The test was performed according to:**  
ANSI C63.10, chapter 6.6.5

### 5.7.1 TEST DESCRIPTION

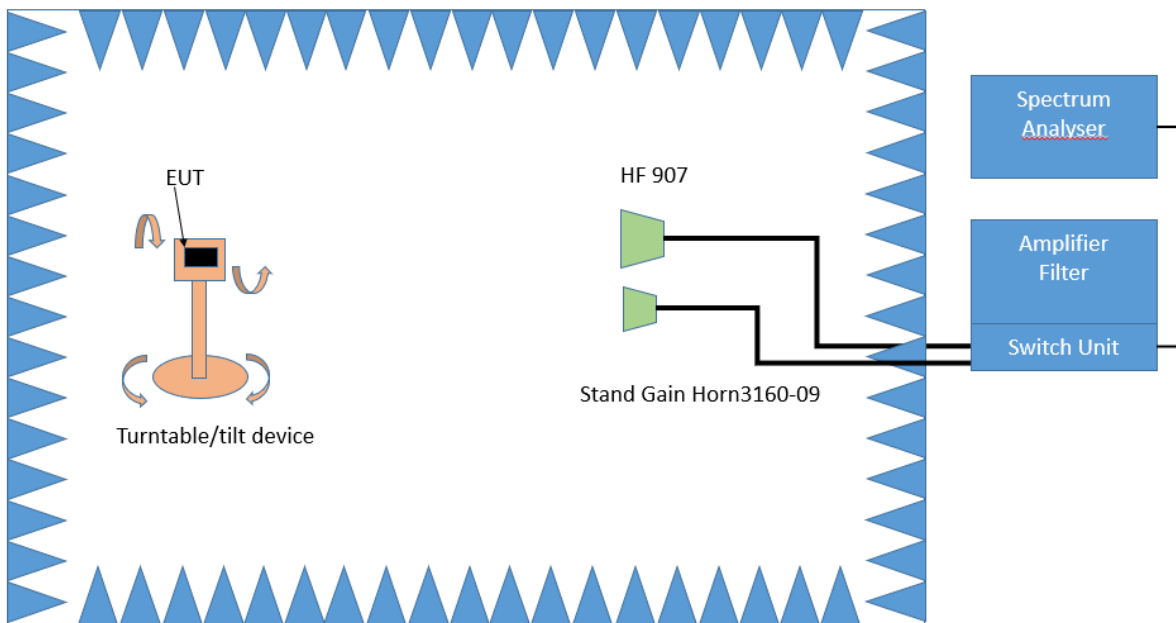
The test set-up was made in accordance to the general provisions of ANSI C63.10 in a typical installation configuration. The measurements were performed according the following sub-chapter of ANSI C63.10:

- Chapter 6.10.5

The Equipment Under Test (EUT) was set up on a non-conductive support (tilt device) at 1.5 m height in the fully-anechoic chamber.

All steps were performed with one height (1.5 m) of the receiving antenna only (procedure according ANSI C63.10, chapter 6.6.5).

### 3. Measurement above 1 GHz



Test Setup; Spurious Emission Radiated (FAC), 1 GHz-26.5 GHz

#### Step 1:

The EUT is turned during the preliminary measurement across the elevation axis, with a step size of 90 °.

The turn table step size (azimuth angle) for the preliminary measurement is 45 °.

Spectrum analyser settings:

- Detector: Peak, Average
- RBW = 1 MHz
- VBW = 3 MHz

#### Step 2:

The turn table azimuth will slowly vary by  $\pm 22.5^\circ$ .

The elevation angle will slowly vary by  $\pm 45^\circ$

Spectrum analyser settings:

- Detector: Peak

**Step 3:**

Spectrum analyser settings for step 3:

- Detector: Peak / CISPR Average
- Measured frequencies: in step 1 determined frequencies
- RBW = 1 MHz
- VBW = 3 MHz
- Measuring time: 1 s

**5.7.2 TEST REQUIREMENTS / LIMITS**

For band edges connected to a restricted band, the limits are specified in Section 15.209(a)

FCC Part 15, Subpart C, §15.209, Radiated Emission Limits

Frequency in MHz	Limit ( $\mu\text{V}/\text{m}$ )	Measurement distance (m)	Limits ( $\text{dB}\mu\text{V}/\text{m}$ )
0.009 – 0.49	2400/F(kHz)@300m	3	(48.5 – 13.8)@300m
0.49 – 1.705	24000/F(kHz)@30m	3	(33.8 – 23.0)@30m
1.705 – 30	30@30m	3	29.5@30m

The measured values are corrected with an inverse linear distance extrapolation factor (40 dB/decade) according FCC 15.31 (2).

Frequency in MHz	Limit ( $\mu\text{V}/\text{m}$ )	Measurement distance (m)	Limits ( $\text{dB}\mu\text{V}/\text{m}$ )
30 – 88	100@3m	3	40.0@3m
88 – 216	150@3m	3	43.5@3m
216 – 960	200@3m	3	46.0@3m
960 – 26000	500@3m	3	54.0@3m
26000 – 40000	500@3m	1	54.0@3m

The measured values above 26 GHz are corrected with an inverse linear distance extrapolation factor (20 dB/decade).

§15.35(b) ..., there is also a limit on the radio frequency emissions, as measured using instrumentation with a peak detector function, corresponding to 20 dB above the maximum permitted average limit....

Used conversion factor:  $\text{Limit (dB}\mu\text{V}/\text{m)} = 20 \log (\text{Limit } (\mu\text{V}/\text{m})/1\mu\text{V}/\text{m})$

### 5.7.3 TEST PROTOCOL

Ambient temperature: 26 - 28 °C  
 Air Pressure: 998 -1010 hPa  
 Humidity: 43 -51 %  
 BT GFSK (1-DH1)  
 Applied duty cycle correction (AV): 0 dB

Ch. No.	Ch. Center Freq. [MHz]	Band Edge Freq. [MHz]	Spurious Level [dBμV/m]	Detector	RBW [kHz]	Limit [dBμV/m]	Margin to Limit [dB]
78	2480	2483.5	48.0	PEAK	1000	74.0	26.0
78	2480	2483.5	35.0	AV	1000	54.0	19.0

BT π/4 DQPSK (2-DH1)  
 Applied duty cycle correction (AV): 0 dB

Ch. No.	Ch. Center Freq. [MHz]	Band Edge Freq. [MHz]	Spurious Level [dBμV/m]	Detector	RBW [kHz]	Limit [dBμV/m]	Margin to Limit [dB]
78	2480	2483.5	48.1	PEAK	1000	74.0	25.9
78	2480	2483.5	35.1	AV	1000	54.0	18.9

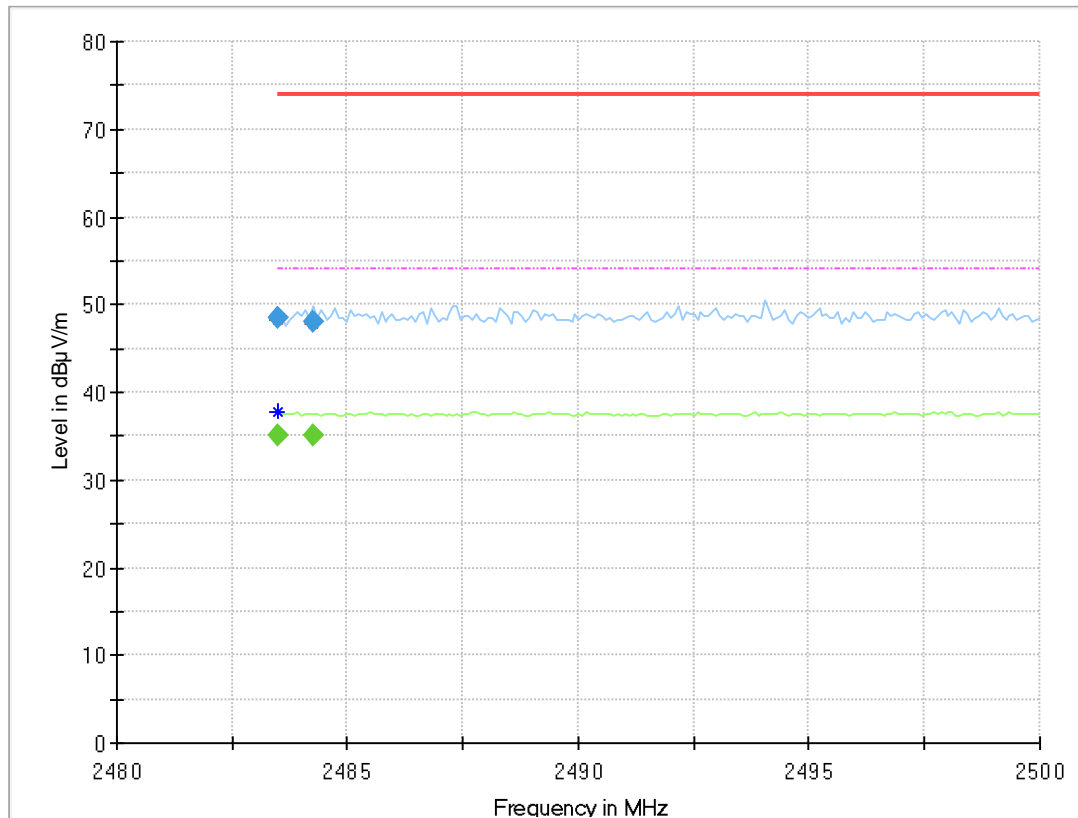
BT 8-DPSK (3-DH1)  
 Applied duty cycle correction (AV): 0 dB

Ch. No.	Ch. Center Freq. [MHz]	Band Edge Freq. [MHz]	Spurious Level [dBμV/m]	Detector	RBW [kHz]	Limit [dBμV/m]	Margin to Limit [dB]
78	2480	2483.5	47.7	PEAK	1000	74.0	26.3
78	2480	2483.5	35.0	AV	1000	54.0	19.0

Remark: Please see next sub-clause for the measurement plot.

### 5.7.4 MEASUREMENT PLOT (EXAMPLE PLOT, SHOWING WORST CASE, IF APPLICABLE)

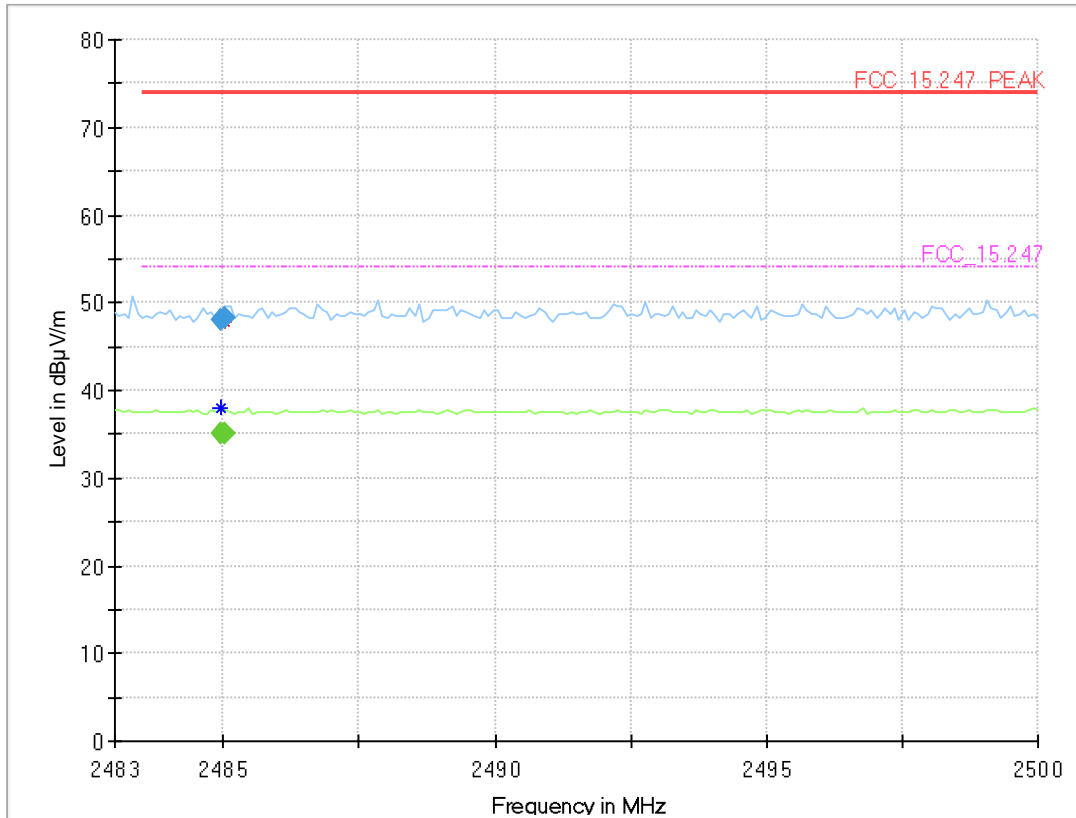
Radio Technology = Bluetooth BDR, Operating Frequency = high, Band Edge = high, (S02\_AA01)



### Final Result

Frequency (MHz)	MaxPeak (dBµV/m)	CAverage (dBµV/m)	Limit (dBµV/m)	Margin (dB)	Meas. Time (ms)	Bandwidth (kHz)	Height (cm)	Pol	Azimuth (deg)	Elevation (deg)	Corr. (dB/m)
2483.500	---	35.0	54.00	18.97	1000.0	1000.000	150.0	V	144.0	-9.0	5.3
2483.500	48.4	---	74.00	25.60	1000.0	1000.000	150.0	V	144.0	-9.0	5.3
2484.243	---	35.0	54.00	18.97	1000.0	1000.000	150.0	V	-93.0	105.0	5.3
2484.243	48.0	---	74.00	26.00	1000.0	1000.000	150.0	V	-93.0	105.0	5.3

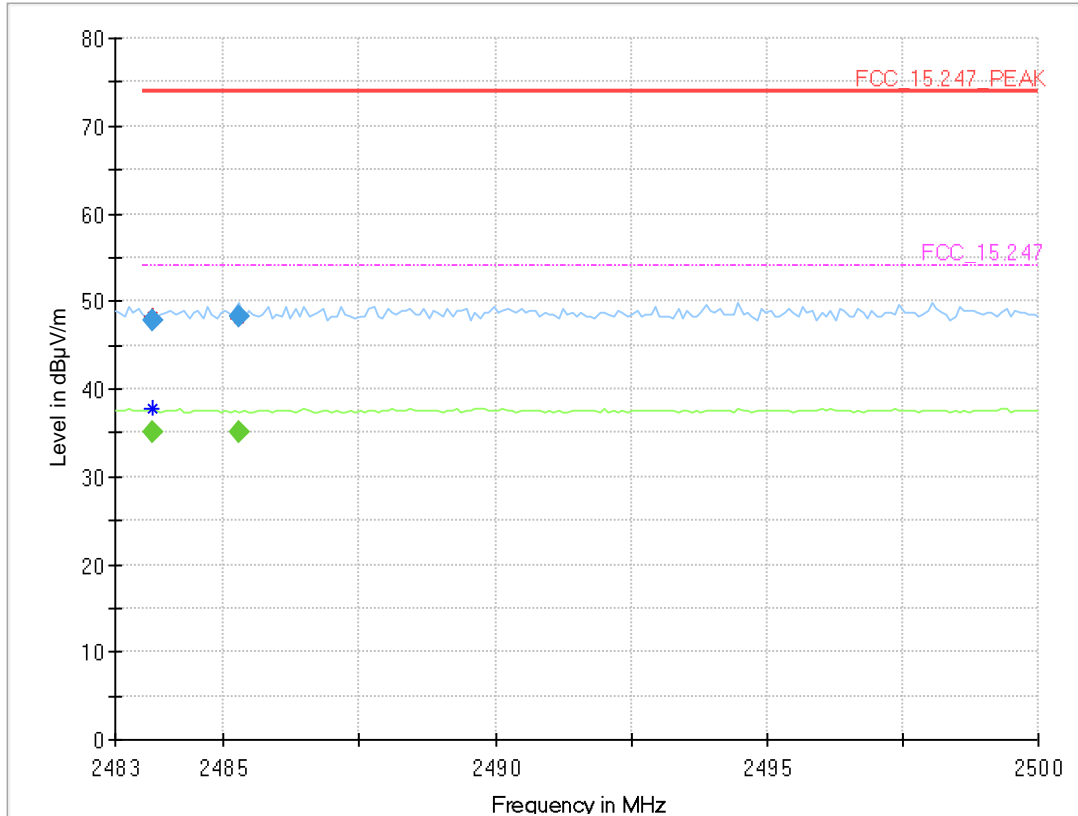
Radio Technology = Bluetooth EDR 2, Operating Frequency = high, Band Edge = high,  
(S02\_AA01)



### Final\_Result

Frequency (MHz)	MaxPeak (dBµV/m)	CAverage (dBµV/m)	Limit (dBµV/m)	Margin (dB)	Meas. Time (ms)	Bandwidth (kHz)	Height (cm)	Pol	Azimuth (deg)	Elevation (deg)	Corr. (dB/m)
2484.955	---	35.1	54.00	18.94	1000.0	1000.000	150.0	H	-90.0	-4.0	5.3
2484.955	48.1	---	74.00	25.86	1000.0	1000.000	150.0	H	-90.0	-4.0	5.3
2485.040	---	35.1	54.00	18.95	1000.0	1000.000	150.0	V	122.0	0.0	5.3
2485.040	48.4	---	74.00	25.65	1000.0	1000.000	150.0	V	122.0	0.0	5.3

Radio Technology = Bluetooth EDR 3, Operating Frequency = high, Band Edge = high, (S02\_AA01)



### Final Result

Frequency (MHz)	MaxPeak (dBµV/m)	CAverage (dBµV/m)	Limit (dBµV/m)	Margin (dB)	Meas. Time (ms)	Bandwidth (kHz)	Height (cm)	Pol	Azimuth (deg)	Elevation (deg)	Corr. (dB/m)
2483.680	---	35.0	54.00	19.00	1000.0	1000.000	150.0	H	-130.0	83.0	5.3
2483.680	47.7	---	74.00	26.25	1000.0	1000.000	150.0	H	-130.0	83.0	5.3
2485.295	---	35.0	54.00	18.98	1000.0	1000.000	150.0	H	140.0	-4.0	5.3
2485.295	48.2	---	74.00	25.79	1000.0	1000.000	150.0	H	140.0	-4.0	5.3

### 5.7.5 TEST EQUIPMENT USED

- Radiated Emissions FAR 2.4 GHz FCC



## 5.8 DWELL TIME

Standard **FCC Part 15 Subpart C**

**The test was performed according to:**

ANSI C63.10, chapter 7.8.4

### 5.8.1 TEST DESCRIPTION

The Equipment Under Test (EUT) was set up to perform the dwell time measurement. The dwell time is independent of the modulation pattern. The EUT is set to its maximum dwell time (for Bluetooth Classic: 5 time slots transmitting, 1 time slot receiving (x-DH5)).

The dwell time is measured by spectrum analyser and power meter in parallel. The spectrum analyser plot indicates when the transmission is active on the measured channel while the power meter measures the length of the transmission.

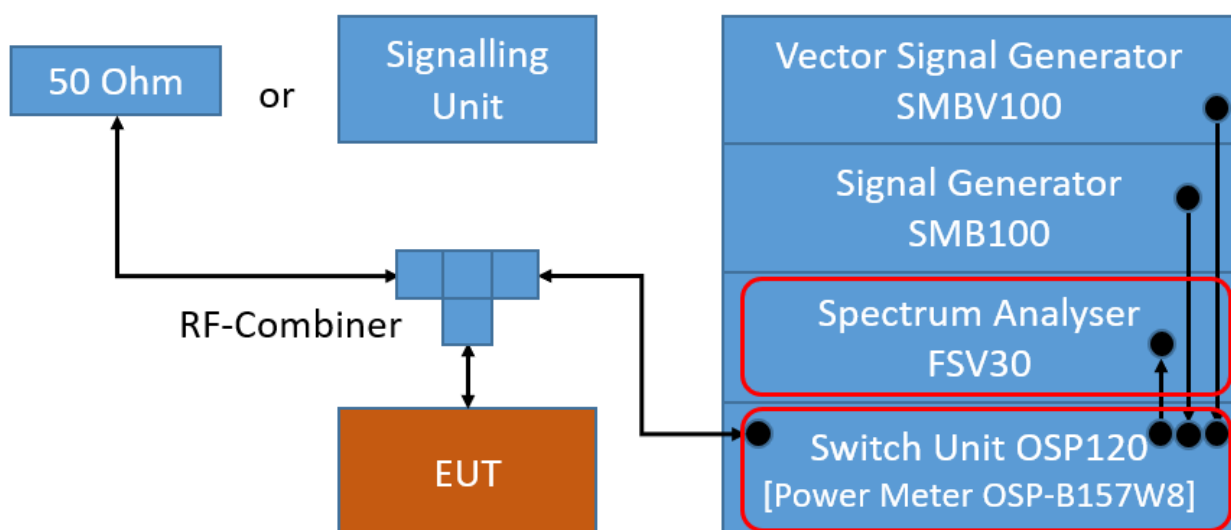
The dwell time calculated according the following equation:

Dwell time = number of hops \* dwell time of single hop

Analyser settings:

- Center Frequency: mid channel frequency
- Span: Zero span
- Detector: Peak
- Resolution Bandwidth (RBW):  $\leq$  Channel separation
- Trigger: External
- Sweep Time: 31.6 s
- Sweep Points: 30001
- Single Sweep

Time resolution of power meter: 1  $\mu$ s



TS8997; Dwell Time

## 5.8.2 TEST REQUIREMENTS / LIMITS

For the band: 902 – 928 MHz  
FCC Part 15, Subpart C, §15.247 (a) (1) (i)

If the 20 dB bandwidth of the hopping channel is less than 250 kHz the average time of occupancy on any frequency shall not be greater than 0.4 seconds within a 20 second period. If the 20 dB bandwidth of the hopping channel is 250 kHz or greater, the average time of occupancy on any frequency shall not be greater than 0.4 seconds within a 10 second period.

For the band: 5725 – 5850 MHz  
FCC Part 15, Subpart C, §15.247 (a) (1) (ii)

The average time of occupancy on any frequency shall not be greater than 0.4 seconds within a 30 second period.

For the frequency band 2400 – 2483.5 MHz:  
FCC Part 15, Subpart C, §15.247 (a) (1) (iii)

...The average time of occupancy on any channel shall not be greater than 0.4 seconds within a period of 0.4 seconds multiplied by the number of hopping channels employed. Since the Bluetooth technology uses 79 channels this period is calculated to be 31.6 seconds.

FCC Part 15, Subpart C, §15.247 (f)

(f) For the purposes of this section, hybrid systems are those that employ a combination of both frequency hopping and digital modulation techniques. The frequency hopping operation of the hybrid system, with the direct sequence or digital modulation operation turned-off, shall have an average time of occupancy on any frequency not to exceed 0.4 seconds within a time period in seconds equal to the number of hopping frequencies employed multiplied by 0.4.

### 5.8.3 TEST PROTOCOL

Ambient temperature: 25 °C  
 Air Pressure: 1025 hPa  
 Humidity: 32 %

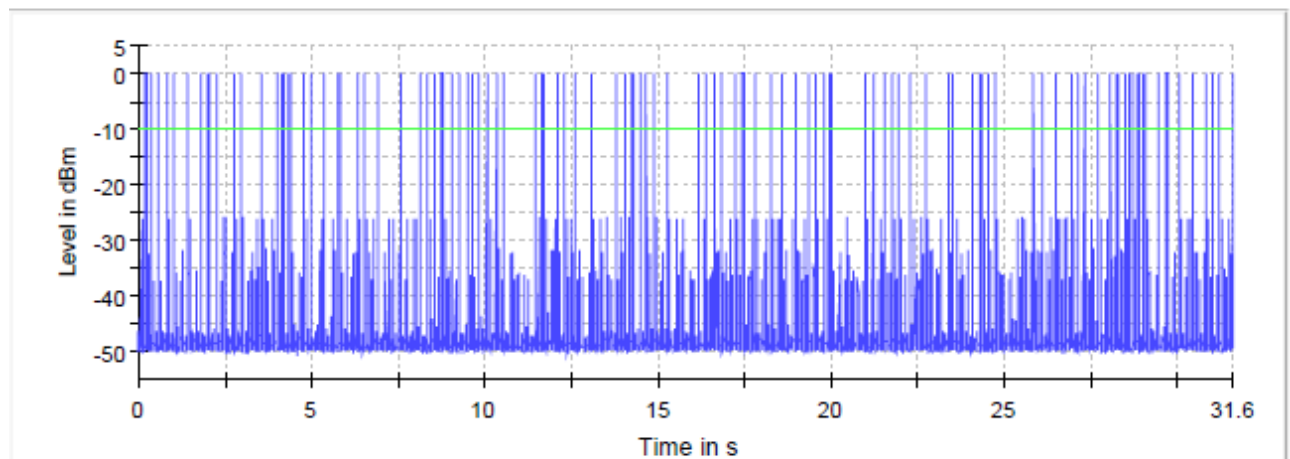
Radio Technology	Time Slot Length [ms]	Number of hops in observation period	Dwell Time [ms]	Limit [ms]	Margin to Limit [ms]
BT GFSK (1-DH5)	2.9	112	324.8	400	75.2

Remark: Please see next sub-clause for the measurement plot.

### 5.8.4 MEASUREMENT PLOT (SHOWING THE HIGHEST VALUE, "WORST CASE")

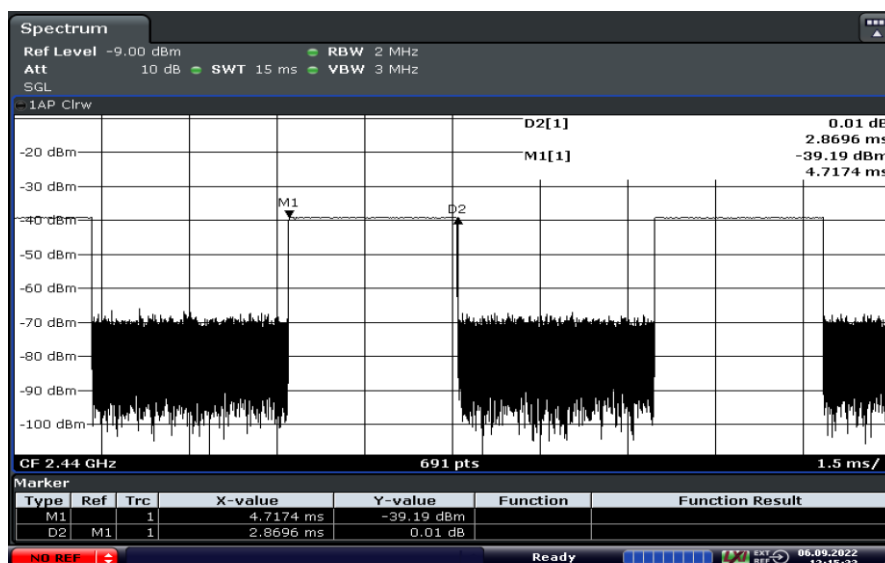
Radio Technology = Bluetooth BDR  
 (S01\_AA01)

Time of Channel Occupancy



— Trace — Threshold

Length of a time slot



Date: 6.SEP.2022 12:15:33

#### 5.8.5 TEST EQUIPMENT USED

- R&S TS8997

## 5.9 CHANNEL SEPARATION

Standard **FCC Part 15 Subpart C**

**The test was performed according to:**

ANSI C63.10, chapter 7.8.2

### 5.9.1 TEST DESCRIPTION

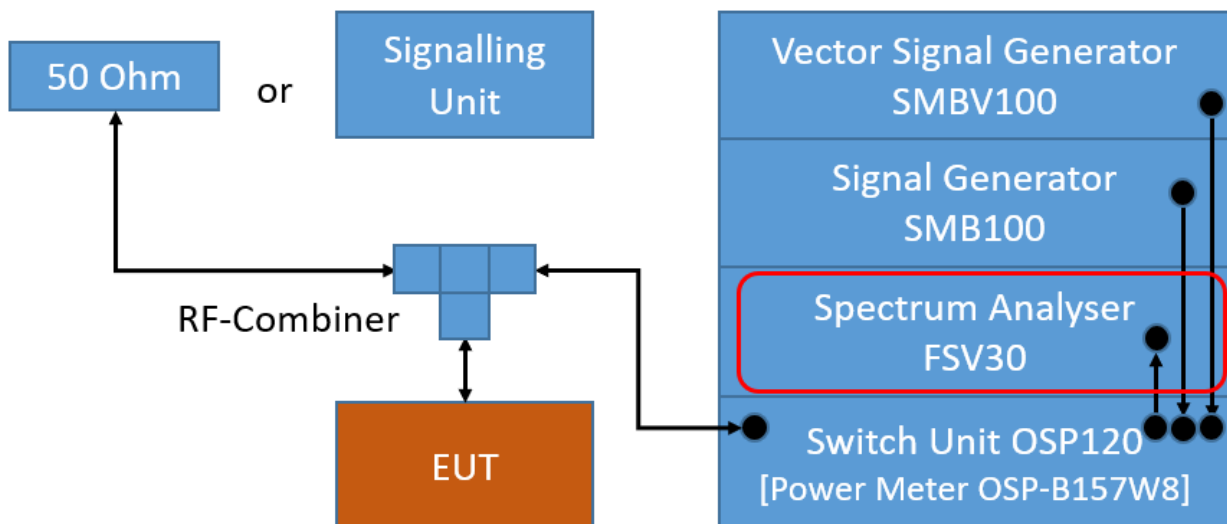
The Equipment Under Test (EUT) was set up to perform the channel separation measurement. The channel separation is independent of the modulation pattern.

The EUT was connected to the test system as described in the block diagram below. The complete attenuation of the measurement path is known and considered.

Analyser settings:

- Detector: Peak
- Trace: Maxhold
- Span: appr. 3 x OBW
- Centre Frequency: approximate mid of two channels
- Resolution Bandwidth (RBW): appr. 30 % of channel spacing
- Video Bandwidth (VBW):  $\geq$  RBW
- Sweep Time: Auto
- Sweeps: Till stable (min. 2000, max. 30000)

The technology depending measurement parameters can be found in the measurement plot.



TS8997; Channel Separation

### 5.9.2 TEST REQUIREMENTS / LIMITS

FCC Part 15, Subpart C, §15.247 (a) (1)

Frequency hopping systems shall have hopping channel carrier frequencies separated by a minimum of 25 kHz or the 20 dB bandwidth of the hopping channel, whichever is greater. Alternatively, frequency hopping systems operating in the 2400–2483.5 MHz band may have hopping channel carrier frequencies that are separated by 25 kHz or two-thirds of the 20 dB bandwidth of the hopping channel, whichever is greater, provided the systems operate with an output power no greater than 125 mW. The system shall hop to channel frequencies that are selected at the system hopping rate from a pseudo randomly ordered list of hopping frequencies. Each frequency must be used equally on the average by each transmitter. The system receivers shall have input bandwidths that match the hopping channel bandwidths of their corresponding transmitters and shall shift frequencies in synchronization with the transmitted signals.

### 5.9.3 TEST PROTOCOL

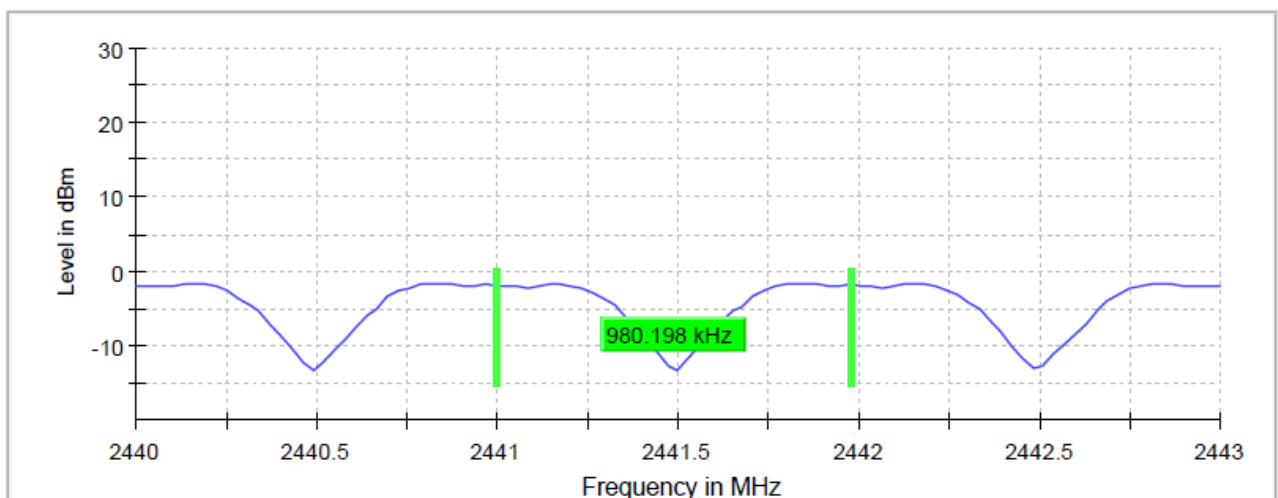
Ambient temperature: 25 °C  
 Air Pressure: 1000 hPa  
 Humidity: 40 %

Radio Technology	Channel Separation [MHz]	Limit [MHz]	Margin to Limit [MHz]
BT GFSK (1-DH1)	0.980	0.875	0.105

Remark: Please see next sub-clause for the measurement plot.

### 5.9.4 MEASUREMENT PLOT (EXAMPLE PLOT, SHOWING WORST CASE, IF APPLICABLE)

Radio Technology = Bluetooth BDR  
 (S01\_AA01)  
 CFS



### 5.9.5 TEST EQUIPMENT USED

- R&S TS8997

## 5.10 NUMBER OF HOPPING FREQUENCIES

Standard **FCC Part 15 Subpart C**

**The test was performed according to:**

ANSI C63.10, chapter 7.8.3

### 5.10.1 TEST DESCRIPTION

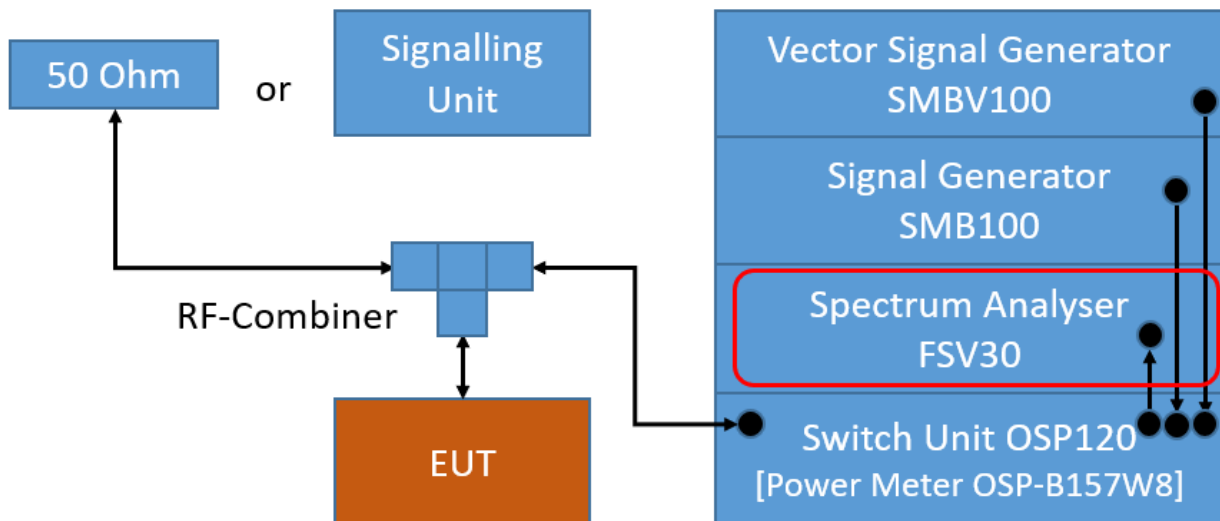
The Equipment Under Test (EUT) was set up to perform the number of hopping frequencies measurement. The number of hopping frequencies is independent of the modulation pattern.

The EUT was connected to the test system as described in the block diagram below. The complete attenuation of the measurement path is known and considered.

Analyser settings:

- Detector: Peak
- Trace: Maxhold
- Frequency span: Frequency band of operation
- Resolution Bandwidth (RBW): < 30 % of channel spacing or 20 dB bandwidth (whichever is smaller)
- Video Bandwidth (VBW): 3 x RBW
- Sweep Time: Auto
- Sweeps: Till stable (min. 300, max. 15000)

The technology depending measurement parameters can be found in the measurement plot.



TS8997; Number of Hopping Frequencies

## 5.10.2 TEST REQUIREMENTS / LIMITS

For the band: 902 – 928 MHz  
FCC Part 15, Subpart C, §15.247 (a) (1) (i)

If the 20 dB bandwidth of the hopping channel is less than 250 kHz, the system shall use at least 50 hopping frequencies.  
If the 20 dB bandwidth of the hopping channel is 250 kHz or greater, the system shall use at least 25 hopping frequencies

For the band: 5725 – 5850 MHz  
FCC Part 15, Subpart C, §15.247 (a) (1) (ii)

Frequency hopping systems operating in the 5725-5850 MHz band shall use at least 75 hopping frequencies.

For the band: 2400 – 2483.5 MHz  
FCC Part 15, Subpart C, §15.247 (a) (1) (iii)

Frequency hopping systems in the 2400-2483.5 MHz band shall use at least 15 channels.



### 5.10.3 TEST PROTOCOL

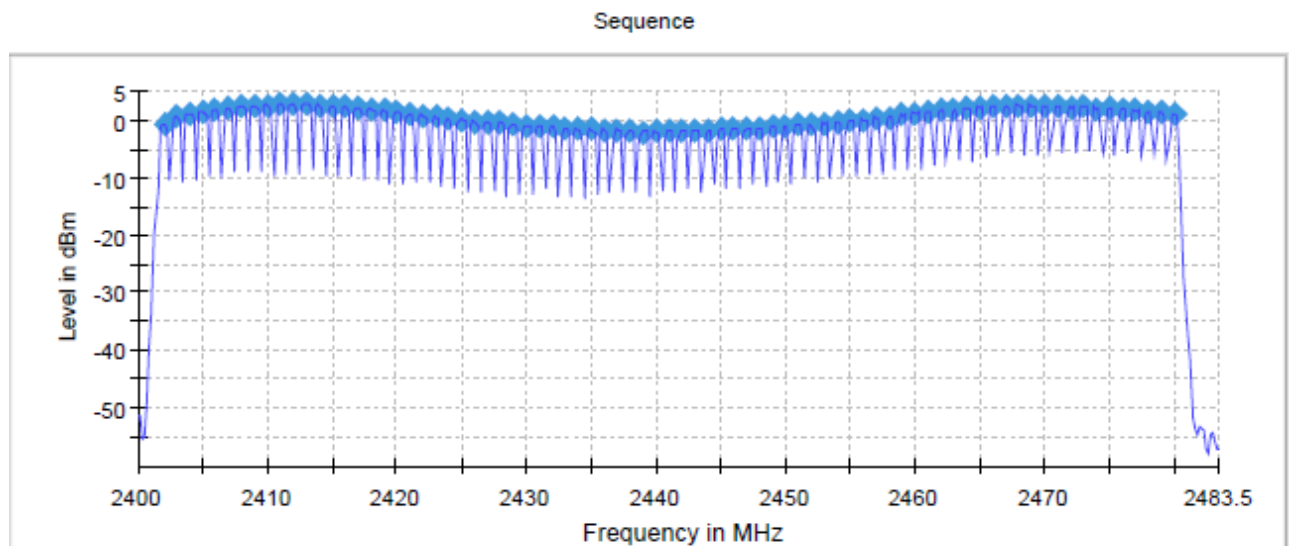
Ambient temperature: 25 °C  
 Air Pressure: 1000 hPa  
 Humidity: 40 %

Radio Technology	Number of Hopping Frequencies	Limit	Margin to Limit
BT GFSK (1-DH1)	79	15	64

Remark: Please see next sub-clause for the measurement plot.

### 5.10.4 MEASUREMENT PLOT (EXAMPLE PLOT, SHOWING WORST CASE, IF APPLICABLE)

Radio Technology = Bluetooth BDR  
 (S01\_AA01)



### 5.10.5 TEST EQUIPMENT USED

- R&S TS8997

## 6 TEST EQUIPMENT

- 1 R&S TS8997  
2.4 and 5 GHz Bands Conducted Test Lab

Ref.No.	Device Name	Description	Manufacturer	Serial Number	Last Calibration	Calibration Due
1.1	MFS	Rubidium Frequency Normal MFS	Datum GmbH	002	2021-11	2022-11
1.2	Opus10 TPR (8253.00)	T/P Logger 13	Lufft Mess- und Regeltechnik GmbH	13936	2021-10	2023-10
1.3	SMB100A	Signal Generator 9 kHz - 6 GHz	Rohde & Schwarz	107695	2021-06	2024-06
1.4	EX520	Digital Multimeter 12	Extech Instruments Corp	05157876	2022-06	2024-06
1.5	NGSM 32/10	Power Supply	Rohde & Schwarz GmbH & Co. KG	3456	2022-01	2024-01
1.6	Temperature Chamber KWP 120/70	Temperature Chamber Weiss 01	Weiss	59226012190010	2022-05	2024-05
1.7	Temperature Chamber VT 4002	Temperature Chamber Vötsch 03	Vötsch	58566002150010	2022-05	2024-05
1.8	FSW43	Signal analyser	Rohde & Schwarz GmbH & Co. KG	102013	2021-06	2023-06
1.9	Opus10 THI (8152.00)	T/H Logger 14	Lufft Mess- und Regeltechnik GmbH	13993	2021-08	2023-08
1.10	SMBV100A	Vector Signal Generator 9 kHz - 6 GHz	Rohde & Schwarz	259291	2019-11	2022-11
1.11	OSP120	Contains Power Meter and Switching Unit OSP-B157W8	Rohde & Schwarz	101158	2021-08	2024-08
1.12	CMX500	Radio Communication Tester New Radio 5G	Rohde & Schwarz GmbH & Co. KG	101305-LP	2020-04	2023-04

- 2 Radiated Emissions FAR 2.4 GHz FCC  
Radiated emission tests for 2.4 GHz ISM devices in a fully anechoic room

Ref.No.	Device Name	Description	Manufacturer	Serial Number	Last Calibration	Calibration Due
2.1	Opus10 TPR (8253.00)	T/P Logger 13	Lufft Mess- und Regeltechnik GmbH	13936	2021-10	2023-10
2.2	AMF-7D00101800-30-10P-R	Broadband Amplifier 100 MHz - 18 GHz	Miteq			
2.3	Anechoic Chamber 03	FAR, 8.80m x 4.60m x 4.05m (l x w x h)	Albatross Projects	P26971-647-001-PRB	2021-04	2023-04
2.4	Fluke 177	Digital Multimeter 03 (Multimeter)	Fluke Europe B.V.	86670383	2022-06	2024-06

Ref.No.	Device Name	Description	Manufacturer	Serial Number	Last Calibration	Calibration Due
2.5	JS4-18002600-32-5P	Broadband Amplifier 18 GHz - 26 GHz	Miteq	849785		
2.6	FSW 43	Spectrum Analyzer	Rohde & Schwarz GmbH & Co. KG	103779	2021-06	2023-06
2.7	EP 1200/B, NA/B1	AC Source, Amplifier with integrated variable Oscillator	Spitzenberger & Spies GmbH & Co. KG	B6278		
2.8	3160-09	Standard Gain / Pyramidal Horn Antenna 26.5 GHz	EMCO Elektronik GmbH	00083069		
2.9	WHKX 7.0/18G-8SS	High Pass Filter	Wainwright Instruments GmbH	09		
2.10	TT 1.5 WI	Turn Table	Maturo GmbH	-		
2.11	5HC3500/18000-1.2-KK	High Pass Filter	Trilithic	200035008		
2.12	Opus 20 THI (8120.00)	ThermoHygro Datalogger	Lufft Mess- und Regeltechnik GmbH	115.0318.0802.033	2020-10	2022-10
2.13	TD1.5-10kg	EUT Tilt Device (Rohacell)	Maturo GmbH	TD1.5-10kg/024/3790709		
2.14	PAS 2.5 - 10 kg	Antenna Mast	Maturo GmbH	-		
2.15	AFS42-00101800-25-S-42	Broadband Amplifier 25 MHz - 18 GHz	Miteq	2035324		
2.16	HF 907	Double-ridged horn	Rohde & Schwarz	102444	2021-09	2024-09

3 Radiated Emissions SAC H-Field  
Radiated emission tests in the H-Field in a semi anechoic room

Ref.No.	Device Name	Description	Manufacturer	Serial Number	Last Calibration	Calibration Due
3.1	N5000/NP	Filter for EUT, 2 Lines, 250 V, 16 A	ETS-LINDGREN	241515		
3.2	Opus10 TPR (8253.00)	T/P Logger 13	Lufft Mess- und Regeltechnik GmbH	13936	2021-10	2023-10
3.3	ESW44	EMI Receiver / Spectrum Analyzer	Rohde & Schwarz GmbH & Co. KG	101603	2022-01	2024-01
3.4	Anechoic Chamber 01	SAC/FAR, 10.58 m x 6.38 m x 6.00 m	Frankonia	none		
3.5	Opus10 THI (8152.00)	T/H Logger 10	Lufft Mess- und Regeltechnik GmbH	12488	2021-08	2023-08
3.6	EP 1200/B, NA/B1	AC Source, Amplifier with integrated variable Oscillator	Spitzenberger & Spies GmbH & Co. KG	B6278		
3.7	DS 420S	Turn Table 2 m diameter	HD GmbH	420/573/99		

Ref.No.	Device Name	Description	Manufacturer	Serial Number	Last Calibration	Calibration Due
3.8	HFH2-Z2	Loop Antenna + 3 Axis Tripod	Rohde & Schwarz GmbH & Co. KG	829324/006	2021-01	2024-01

- 4 Radiated Emissions SAC up to 1 GHz  
Radiated emission tests up to 1 GHz in a semi anechoic room

Ref.No.	Device Name	Description	Manufacturer	Serial Number	Last Calibration	Calibration Due
4.1	N5000/NP	Filter for EUT, 2 Lines, 250 V, 16 A	ETS-LINDGREN	241515		
4.2	Opus10 TPR (8253.00)	T/P Logger 13	Lufft Mess- und Regeltechnik GmbH	13936	2021-10	2023-10
4.3	ESW44	EMI Receiver / Spectrum Analyzer	Rohde & Schwarz GmbH & Co. KG	101603	2022-01	2024-01
4.4	Anechoic Chamber 01	SAC/FAR, 10.58 m x 6.38 m x 6.00 m	Frankonia	none		
4.5	HL 562 ULTRALOG	Biconical-log-per antenna (30 MHz - 3 GHz) with HL 562E biconicals	Rohde & Schwarz GmbH & Co. KG	830547/003	2021-09	2024-09
4.6	Opus10 THI (8152.00)	T/H Logger 10	Lufft Mess- und Regeltechnik GmbH	12488	2021-08	2023-08
4.7	EP 1200/B, NA/B1	AC Source, Amplifier with integrated variable Oscillator	Spitzenberger & Spies GmbH & Co. KG	B6278		
4.8	DS 420S	Turn Table 2 m diameter	HD GmbH	420/573/99		
4.9	AM 4.0	Antenna Mast 4 m	Maturo GmbH	AM4.0/180/11920513		

The calibration interval is the time interval between "Last Calibration" and "Calibration Due"

## 7 ANTENNA FACTORS, CABLE LOSS AND SAMPLE CALCULATIONS

This chapter contains the antenna factors with their corresponding path loss of the used measurement path for all antennas as well as the insertion loss of the LISN.

### 7.1 LISN R&S ESH3-Z5 (150 KHZ – 30 MHZ)

Frequency MHz	Corr. dB	LISN insertion loss ESH3- Z5 dB	cable loss (incl. 10 dB atten- uator) dB
0.15	10.1	0.1	10.0
5	10.3	0.1	10.2
7	10.5	0.2	10.3
10	10.5	0.2	10.3
12	10.7	0.3	10.4
14	10.7	0.3	10.4
16	10.8	0.4	10.4
18	10.9	0.4	10.5
20	10.9	0.4	10.5
22	11.1	0.5	10.6
24	11.1	0.5	10.6
26	11.2	0.5	10.7
28	11.2	0.5	10.7
30	11.3	0.5	10.8

#### Sample calculation

$$U_{\text{LISN}} (\text{dB } \mu\text{V}) = U (\text{dB } \mu\text{V}) + \text{Corr. (dB)}$$

U = Receiver reading

LISN Insertion loss = Voltage Division Factor of LISN

Corr. = sum of single correction factors of used LISN, cables, switch units (if used)

Linear interpolation will be used for frequencies in between the values in the table.

## 7.2 ANTENNA R&S HFH2-Z2 (9 KHZ – 30 MHZ)

Frequency MHz	AF HFH-Z2) dB (1/m)	Corr. dB	cable loss 1 (inside chamber) dB	cable loss 2 (outside chamber) dB	cable loss 3 (switch unit) dB	cable loss 4 (to receiver) dB	distance corr. (-40 dB/ decade) dB	d <sub>Limit</sub> (meas. distance (limit) m	d <sub>used</sub> (meas. distance (used) m
0.009	20.50	-79.6	0.1	0.1	0.1	0.1	-80	300	3
0.01	20.45	-79.6	0.1	0.1	0.1	0.1	-80	300	3
0.015	20.37	-79.6	0.1	0.1	0.1	0.1	-80	300	3
0.02	20.36	-79.6	0.1	0.1	0.1	0.1	-80	300	3
0.025	20.38	-79.6	0.1	0.1	0.1	0.1	-80	300	3
0.03	20.32	-79.6	0.1	0.1	0.1	0.1	-80	300	3
0.05	20.35	-79.6	0.1	0.1	0.1	0.1	-80	300	3
0.08	20.30	-79.6	0.1	0.1	0.1	0.1	-80	300	3
0.1	20.20	-79.6	0.1	0.1	0.1	0.1	-80	300	3
0.2	20.17	-79.6	0.1	0.1	0.1	0.1	-80	300	3
0.3	20.14	-79.6	0.1	0.1	0.1	0.1	-80	300	3
0.49	20.12	-79.6	0.1	0.1	0.1	0.1	-80	300	3
0.490001	20.12	-39.6	0.1	0.1	0.1	0.1	-40	30	3
0.5	20.11	-39.6	0.1	0.1	0.1	0.1	-40	30	3
0.8	20.10	-39.6	0.1	0.1	0.1	0.1	-40	30	3
1	20.09	-39.6	0.1	0.1	0.1	0.1	-40	30	3
2	20.08	-39.6	0.1	0.1	0.1	0.1	-40	30	3
3	20.06	-39.6	0.1	0.1	0.1	0.1	-40	30	3
4	20.05	-39.5	0.2	0.1	0.1	0.1	-40	30	3
5	20.05	-39.5	0.2	0.1	0.1	0.1	-40	30	3
6	20.02	-39.5	0.2	0.1	0.1	0.1	-40	30	3
8	19.95	-39.5	0.2	0.1	0.1	0.1	-40	30	3
10	19.83	-39.4	0.2	0.1	0.2	0.1	-40	30	3
12	19.71	-39.4	0.2	0.1	0.2	0.1	-40	30	3
14	19.54	-39.4	0.2	0.1	0.2	0.1	-40	30	3
16	19.53	-39.3	0.3	0.1	0.2	0.1	-40	30	3
18	19.50	-39.3	0.3	0.1	0.2	0.1	-40	30	3
20	19.57	-39.3	0.3	0.1	0.2	0.1	-40	30	3
22	19.61	-39.3	0.3	0.1	0.2	0.1	-40	30	3
24	19.61	-39.3	0.3	0.1	0.2	0.1	-40	30	3
26	19.54	-39.3	0.3	0.1	0.2	0.1	-40	30	3
28	19.46	-39.2	0.3	0.1	0.3	0.1	-40	30	3
30	19.73	-39.1	0.4	0.1	0.3	0.1	-40	30	3

### Sample calculation

$$E \text{ (dB } \mu\text{V/m)} = U \text{ (dB } \mu\text{V)} + AF \text{ (dB 1/m)} + Corr. \text{ (dB)}$$

U = Receiver reading

AF = Antenna factor

Corr. = sum of single correction factors of used cables, switch unit, distance correction, amplifier (if applicable)

distance correction =  $-40 * \text{LOG} (d_{\text{Limit}} / d_{\text{used}})$

Linear interpolation will be used for frequencies in between the values in the table.

Table shows an extract of values

### 7.3 ANTENNA R&S HL562 (30 MHz – 1 GHz)

( $d_{Limit} = 3\text{ m}$ )

Frequency	AF R&S HL562	Corr.
MHz	dB (1/m)	dB
30	18.6	0.6
50	6.0	0.9
100	9.7	1.2
150	7.9	1.6
200	7.6	1.9
250	9.5	2.1
300	11.0	2.3
350	12.4	2.6
400	13.6	2.9
450	14.7	3.1
500	15.6	3.2
550	16.3	3.5
600	17.2	3.5
650	18.1	3.6
700	18.5	3.6
750	19.1	4.1
800	19.6	4.1
850	20.1	4.4
900	20.8	4.7
950	21.1	4.8
1000	21.6	4.9

cable loss 1 (inside chamber)	cable loss 2 (outside chamber)	cable loss 3 (switch unit)	cable loss 4 (to receiver)	distance corr. (-20 dB/decade)	$d_{Limit}$ (meas. distance (limit))	$d_{used}$ (meas. distance (used))
dB	dB	dB	dB	dB	m	m
0.29	0.04	0.23	0.02	0.0	3	3
0.39	0.09	0.32	0.08	0.0	3	3
0.56	0.14	0.47	0.08	0.0	3	3
0.73	0.20	0.59	0.12	0.0	3	3
0.84	0.21	0.70	0.11	0.0	3	3
0.98	0.24	0.80	0.13	0.0	3	3
1.04	0.26	0.89	0.15	0.0	3	3
1.18	0.31	0.96	0.13	0.0	3	3
1.28	0.35	1.03	0.19	0.0	3	3
1.39	0.38	1.11	0.22	0.0	3	3
1.44	0.39	1.20	0.19	0.0	3	3
1.55	0.46	1.24	0.23	0.0	3	3
1.59	0.43	1.29	0.23	0.0	3	3
1.67	0.34	1.35	0.22	0.0	3	3
1.67	0.42	1.41	0.15	0.0	3	3
1.87	0.54	1.46	0.25	0.0	3	3
1.90	0.46	1.51	0.25	0.0	3	3
1.99	0.60	1.56	0.27	0.0	3	3
2.14	0.60	1.63	0.29	0.0	3	3
2.22	0.60	1.66	0.33	0.0	3	3
2.23	0.61	1.71	0.30	0.0	3	3

( $d_{Limit} = 10\text{ m}$ )

30	18.6	-9.9
50	6.0	-9.6
100	9.7	-9.2
150	7.9	-8.8
200	7.6	-8.6
250	9.5	-8.3
300	11.0	-8.1
350	12.4	-7.9
400	13.6	-7.6
450	14.7	-7.4
500	15.6	-7.2
550	16.3	-7.0
600	17.2	-6.9
650	18.1	-6.9
700	18.5	-6.8
750	19.1	-6.3
800	19.6	-6.3
850	20.1	-6.0
900	20.8	-5.8
950	21.1	-5.6
1000	21.6	-5.6

0.29	0.04	0.23	0.02	-10.5	10	3
0.39	0.09	0.32	0.08	-10.5	10	3
0.56	0.14	0.47	0.08	-10.5	10	3
0.73	0.20	0.59	0.12	-10.5	10	3
0.84	0.21	0.70	0.11	-10.5	10	3
0.98	0.24	0.80	0.13	-10.5	10	3
1.04	0.26	0.89	0.15	-10.5	10	3
1.18	0.31	0.96	0.13	-10.5	10	3
1.28	0.35	1.03	0.19	-10.5	10	3
1.39	0.38	1.11	0.22	-10.5	10	3
1.44	0.39	1.20	0.19	-10.5	10	3
1.55	0.46	1.24	0.23	-10.5	10	3
1.59	0.43	1.29	0.23	-10.5	10	3
1.67	0.34	1.35	0.22	-10.5	10	3
1.67	0.42	1.41	0.15	-10.5	10	3
1.87	0.54	1.46	0.25	-10.5	10	3
1.90	0.46	1.51	0.25	-10.5	10	3
1.99	0.60	1.56	0.27	-10.5	10	3
2.14	0.60	1.63	0.29	-10.5	10	3
2.22	0.60	1.66	0.33	-10.5	10	3
2.23	0.61	1.71	0.30	-10.5	10	3

#### Sample calculation

$$E \text{ (dB } \mu\text{V/m)} = U \text{ (dB } \mu\text{V)} + \text{AF (dB 1/m)} + \text{Corr. (dB)}$$

U = Receiver reading

AF = Antenna factor

Corr. = sum of single correction factors of used cables, switch unit, distance correction, amplifier (if applicable)

distance correction =  $-20 * \text{LOG} (d_{Limit} / d_{used})$

Linear interpolation will be used for frequencies in between the values in the table.

Tables show an extract of values.

### 7.4 ANTENNA R&S HF907 (1 GHZ – 18 GHZ)

Frequency MHz	AF R&S HF907 dB (1/m)	Corr. dB
1000	24.4	-19.4
2000	28.5	-17.4
3000	31.0	-16.1
4000	33.1	-14.7
5000	34.4	-13.7
6000	34.7	-12.7
7000	35.6	-11.0

cable loss 1 (relay + cable inside chamber) dB	cable loss 2 (outside chamber) dB	cable loss 3 (switch unit, atten- uator & pre-amp) dB	cable loss 4 (to receiver) dB
0.99	0.31	-21.51	0.79
1.44	0.44	-20.63	1.38
1.87	0.53	-19.85	1.33
2.41	0.67	-19.13	1.31
2.78	0.86	-18.71	1.40
2.74	0.90	-17.83	1.47
2.82	0.86	-16.19	1.46

Frequency MHz	AF R&S HF907 dB (1/m)	Corr. dB
3000	31.0	-23.4
4000	33.1	-23.3
5000	34.4	-21.7
6000	34.7	-21.2
7000	35.6	-19.8

cable loss 1 (relay inside chamber) dB	cable loss 2 (inside chamber) dB	cable loss 3 (outside chamber) dB	cable loss 4 (switch unit, atten- uator & pre-amp) dB	cable loss 5 (to receiver) dB	used for FCC 15.247
0.47	1.87	0.53	-27.58	1.33	
0.56	2.41	0.67	-28.23	1.31	
0.61	2.78	0.86	-27.35	1.40	
0.58	2.74	0.90	-26.89	1.47	
0.66	2.82	0.86	-25.58	1.46	

Frequency MHz	AF R&S HF907 dB (1/m)	Corr. dB
7000	35.6	-57.3
8000	36.3	-56.3
9000	37.1	-55.3
10000	37.5	-56.2
11000	37.5	-55.3
12000	37.6	-53.7
13000	38.2	-53.5
14000	39.9	-56.3
15000	40.9	-54.1
16000	41.3	-54.1
17000	42.8	-54.4
18000	44.2	-54.7

cable loss 1 (relay inside chamber) dB	cable loss 2 (High Pass) dB	cable loss 3 (pre- amp) dB	cable loss 4 (inside chamber) dB	cable loss 5 (outside chamber) dB	cable loss 6 (to receiver) dB
0.56	1.28	-62.72	2.66	0.94	1.46
0.69	0.71	-61.49	2.84	1.00	1.53
0.68	0.65	-60.80	3.06	1.09	1.60
0.70	0.54	-61.91	3.28	1.20	1.67
0.80	0.61	-61.40	3.43	1.27	1.70
0.84	0.42	-59.70	3.53	1.26	1.73
0.83	0.44	-59.81	3.75	1.32	1.83
0.91	0.53	-63.03	3.91	1.40	1.77
0.98	0.54	-61.05	4.02	1.44	1.83
1.23	0.49	-61.51	4.17	1.51	1.85
1.36	0.76	-62.36	4.34	1.53	2.00
1.70	0.53	-62.88	4.41	1.55	1.91

#### Sample calculation

$$E \text{ (dB } \mu\text{V/m)} = U \text{ (dB } \mu\text{V)} + \text{AF (dB 1/m)} + \text{Corr. (dB)}$$

U = Receiver reading

AF = Antenna factor

Corr. = sum of single correction factors of used cables, switch unit, distance correction, amplifier (if applicable)

Linear interpolation will be used for frequencies in between the values in the table.

Tables show an extract of values.



### 7.5 ANTENNA EMCO 3160-09 (18 GHZ – 26.5 GHZ)

Frequency MHz	AF EMCO 3160-09 dB (1/m)	Corr. dB
18000	40.2	-23.5
18500	40.2	-23.2
19000	40.2	-22.0
19500	40.3	-21.3
20000	40.3	-20.3
20500	40.3	-19.9
21000	40.3	-19.1
21500	40.3	-19.1
22000	40.3	-18.7
22500	40.4	-19.0
23000	40.4	-19.5
23500	40.4	-19.3
24000	40.4	-19.8
24500	40.4	-19.5
25000	40.4	-19.3
25500	40.5	-20.4
26000	40.5	-21.3
26500	40.5	-21.1

cable loss 1 (inside chamber) dB	cable loss 2 (pre- amp) dB	cable loss 3 (inside chamber) dB	cable loss 4 (switch unit) dB	cable loss 5 (to receiver) dB
0.72	-35.85	6.20	2.81	2.65
0.69	-35.71	6.46	2.76	2.59
0.76	-35.44	6.69	3.15	2.79
0.74	-35.07	7.04	3.11	2.91
0.72	-34.49	7.30	3.07	3.05
0.78	-34.46	7.48	3.12	3.15
0.87	-34.07	7.61	3.20	3.33
0.90	-33.96	7.47	3.28	3.19
0.89	-33.57	7.34	3.35	3.28
0.87	-33.66	7.06	3.75	2.94
0.88	-33.75	6.92	3.77	2.70
0.90	-33.35	6.99	3.52	2.66
0.88	-33.99	6.88	3.88	2.58
0.91	-33.89	7.01	3.93	2.51
0.88	-33.00	6.72	3.96	2.14
0.89	-34.07	6.90	3.66	2.22
0.86	-35.11	7.02	3.69	2.28
0.90	-35.20	7.15	3.91	2.36

#### Sample calculation

$$E \text{ (dB } \mu\text{V/m)} = U \text{ (dB } \mu\text{V)} + AF \text{ (dB 1/m)} + Corr. \text{ (dB)}$$

U = Receiver reading

AF = Antenna factor

Corr. = sum of single correction factors of used cables, switch unit, distance correction, amplifier (if applicable)

Linear interpolation will be used for frequencies in between the values in the table.

Table shows an extract of values.

## 7.6 ANTENNA EMCO 3160-10 (26.5 GHZ – 40 GHZ)

Frequency GHz	AF EMCO 3160-10 dB (1/m)	Corr. dB	cable loss 1 (inside chamber) dB	cable loss 2 (outside chamber) dB	cable loss 3 (switch unit) dB	cable loss 4 (to receiver) dB	distance corr. (-20 dB/ decade) dB	d <sub>Limit</sub> (meas. distance (limit) m	d <sub>used</sub> (meas. distance (used) m
26.5	43.4	-11.2	4.4				-9.5	3	1.0
27.0	43.4	-11.2	4.4				-9.5	3	1.0
28.0	43.4	-11.1	4.5				-9.5	3	1.0
29.0	43.5	-11.0	4.6				-9.5	3	1.0
30.0	43.5	-10.9	4.7				-9.5	3	1.0
31.0	43.5	-10.8	4.7				-9.5	3	1.0
32.0	43.5	-10.7	4.8				-9.5	3	1.0
33.0	43.6	-10.7	4.9				-9.5	3	1.0
34.0	43.6	-10.6	5.0				-9.5	3	1.0
35.0	43.6	-10.5	5.1				-9.5	3	1.0
36.0	43.6	-10.4	5.1				-9.5	3	1.0
37.0	43.7	-10.3	5.2				-9.5	3	1.0
38.0	43.7	-10.2	5.3				-9.5	3	1.0
39.0	43.7	-10.2	5.4				-9.5	3	1.0
40.0	43.8	-10.1	5.5				-9.5	3	1.0

### Sample calculation

$$E \text{ (dB } \mu\text{V/m)} = U \text{ (dB } \mu\text{V)} + \text{AF (dB 1/m)} + \text{Corr. (dB)}$$

U = Receiver reading

AF = Antenna factor

Corr. = sum of single correction factors of used cables, switch unit, distance correction, amplifier (if applicable)

Linear interpolation will be used for frequencies in between the values in the table.

distance correction =  $-20 * \text{LOG} (d_{\text{Limit}} / d_{\text{used}})$

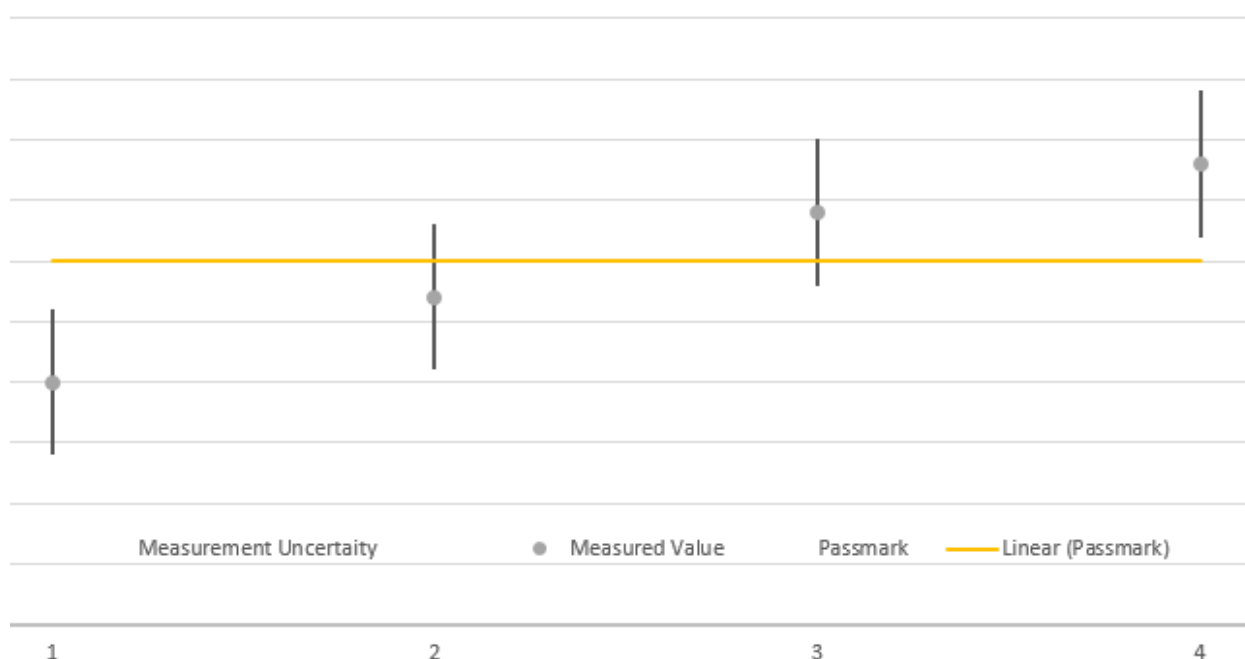
Linear interpolation will be used for frequencies in between the values in the table.

Table shows an extract of values.

## 8 MEASUREMENT UNCERTAINTIES

Test Case	Parameter	Uncertainty
AC Power Line	Power	± 3.4 dB
Field Strength of spurious radiation	Power	± 5.5 dB
6 dB / 26 dB / 99% Bandwidth	Power Frequency	± 2.9 dB ± 11.2 kHz
Conducted Output Power	Power	± 2.2 dB
Band Edge Compliance	Power Frequency	± 2.2 dB ± 11.2 kHz
Frequency Stability	Frequency	± 25 Hz
Power Spectral Density	Power	± 2.2 dB

The measurement uncertainties for all parameters are calculated with an expansion factor (coverage factor)  $k = 1.96$ . This means, that the true value is in the corresponding interval with a probability of 95 %.



The verdicts in this test report are given according the above diagram:

Case	Measured Value	Uncertainty Range	Verdict
1	below pass mark	below pass mark	Passed
2	below pass mark	within pass mark	Passed
3	above pass mark	within pass mark	Failed
4	above pass mark	above pass mark	Failed

That means, the laboratory applies, as decision rule (see ISO/IEC 17025:2017), the so called shared risk principle.

## 9 PHOTO REPORT

Please see separate photo report.