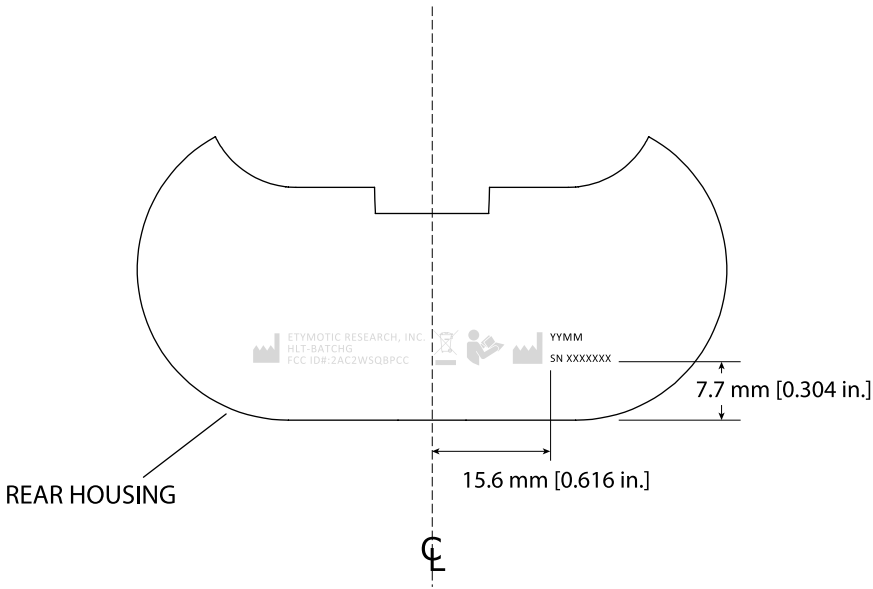
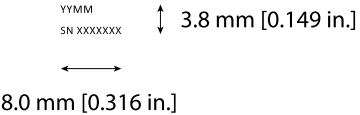


REVISION HISTORY			
REV	DESCRIPTION	DATE	APPROVED
A	Original	2021-07-06	SJI
B	Split into Pad Print / Laser Mark	2021-09-07	SJI

Artwork (Scale 1:1)

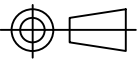


Placement Reference

Incrementation / Numbers

YMMM = MANUFACTURE DATE CODE  
Example: 2008

SN XXXXXXXX = SERIAL NUMBER  
Increment by + 1  
7 Digits with leading zeros  
Example: 0032998



- DIMENSIONS = INCHES [mm]
- DIMENSIONS = mm [INCHES]
- ENGINEERING DRAWING
- PRODUCTION DWG ECN#

This document contains information proprietary to Lucid Audio, LLC., and is the property of Lucid Audio, LLC. Lucid Audio, LLC. reserves the sole right to any designs or data depicted herein. No disclosure or reproduction of this information is to be made without the express consent of Lucid Audio, LLC.

MATERIAL	
PROCESS	

PROJECT NUMBER  
**218**

PART NUMBER

DRAWN BY  
**Steve Iseberg**

APPROVED BY

DRAWING  
**Artwork for Laser Marking**

FILENAME  
**Pico Laser Marking RevA.IA**

REVISION  
**B**

© COPYRIGHT 2021 ERI

Do Not Scale

SCALE  
**1 : 1**

PAGE SIZE  
**A**

SHEET  
**1 OF 1**