

SPECIFICATION FOR APPROVAL

| | |
|--------------------|--------------|
| CUSTOMER : | 比亚迪 |
| PART NAME : | 灯带 |
| PART NO. : | WIFI (2.4G) |
| DZZ NO. : | N12-7023-ROA |
| REV. : | |

| | MANUFACTURERR SIGNATURE | CUSTOMER SIGNATURE |
|-------------------------|------------------------------------|-------------------------------|
| APPROVED BY: | | |
| DATE: | | |

Shenzhen be-comfortable technology.co.,LTD

深圳市得自在科技有限公司

Address: No.1606,Build C6,HengFeng industrial city,xixiang street,baoan district,Shenzhen

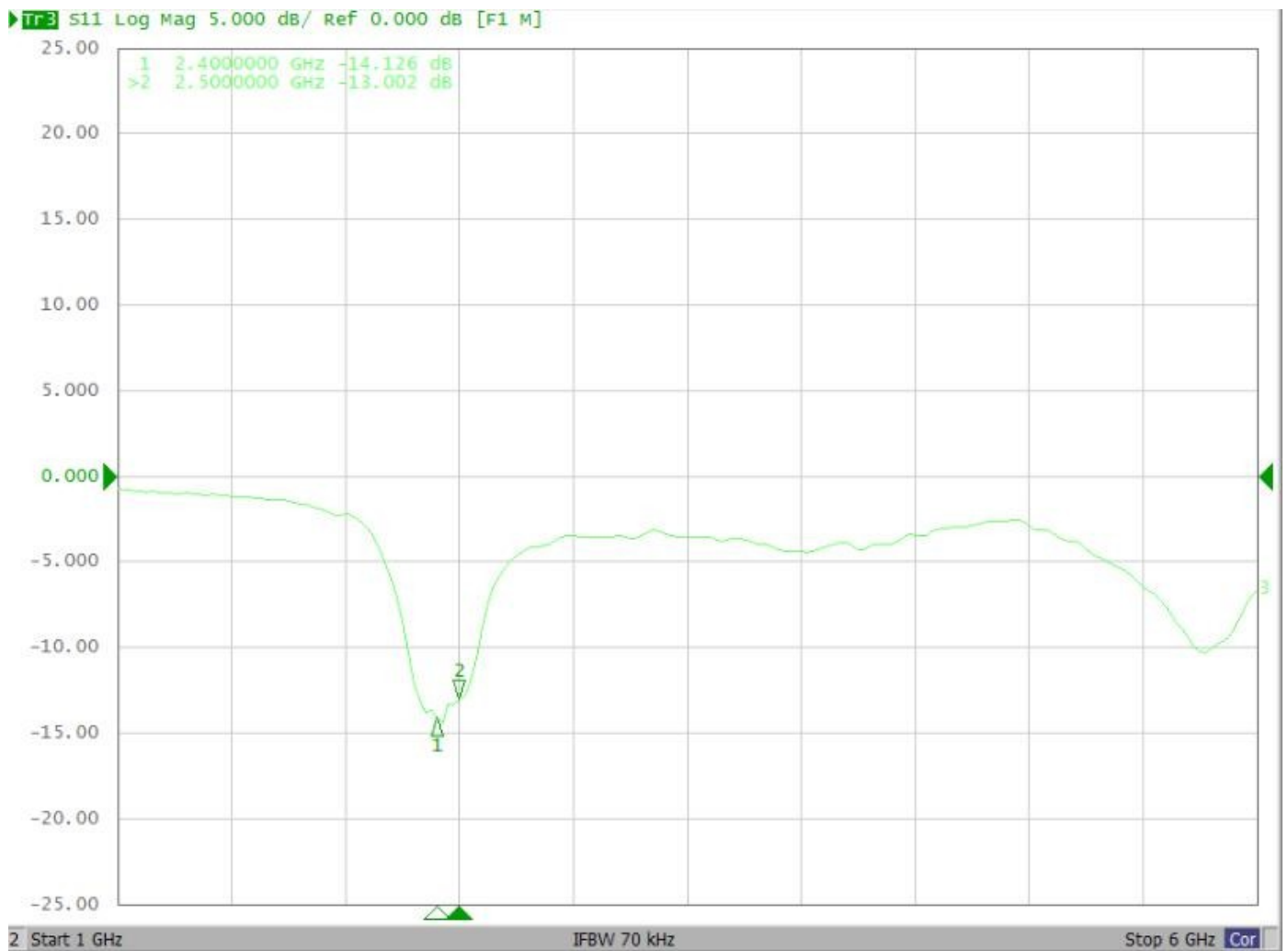
shanghai mengju technology co., LTD

上海市盟钜科技有限公司

103B, Build10, No.198 Zhang Heng Road , Pudong New Area,Shanghai

2. Analyzer Measurement

2.1 Ant 2.4GWIFI passive test results

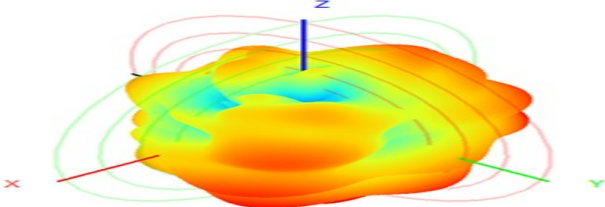


3 2.4G WIFI Peak Gain & Efficiency

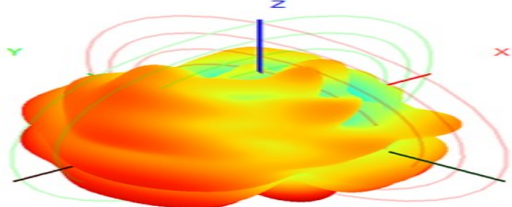
| Freq (MHz) | Effi (%) | Gain (dBi) |
|---------------|-------------|---------------|
| 2400 | 52.36 | 1.98 |
| 2410 | 53.02 | 1.84 |
| 2420 | 53.15 | 2.01 |
| 2430 | 52.98 | 1.98 |
| 2440 | 52.83 | 1.63 |
| 2450 | 52.23 | 1.87 |
| 2460 | 53.43 | 1.87 |
| 2470 | 52.81 | 2.02 |
| 2480 | 51.63 | 2.15 |
| 2490 | 51.26 | 2.15 |
| 2500 | 50.21 | 2.14 |

3D Pattern

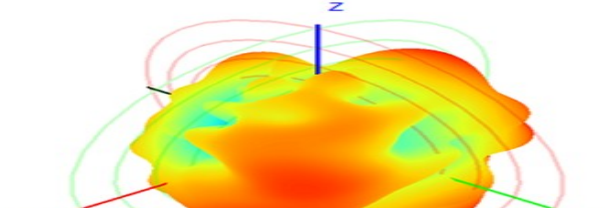
2400.0MHz H+V, Eff. 49.7%



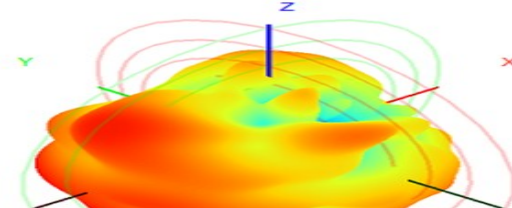
Back View



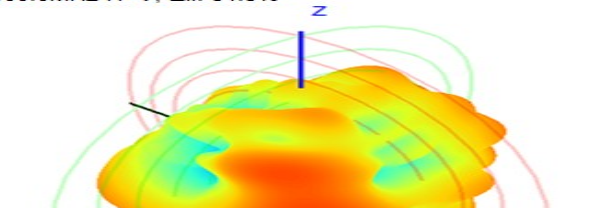
2450.0MHz H+V, Eff. 49.6%



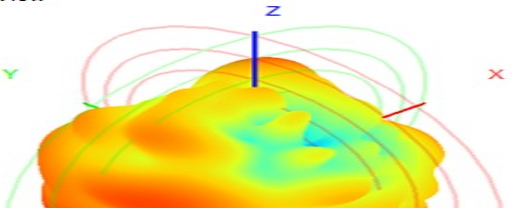
Back View

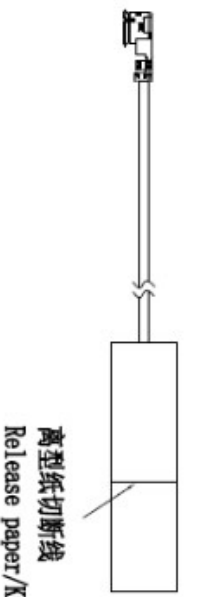
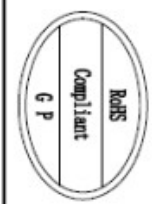


2500.0MHz H+V, Eff. 51.3%

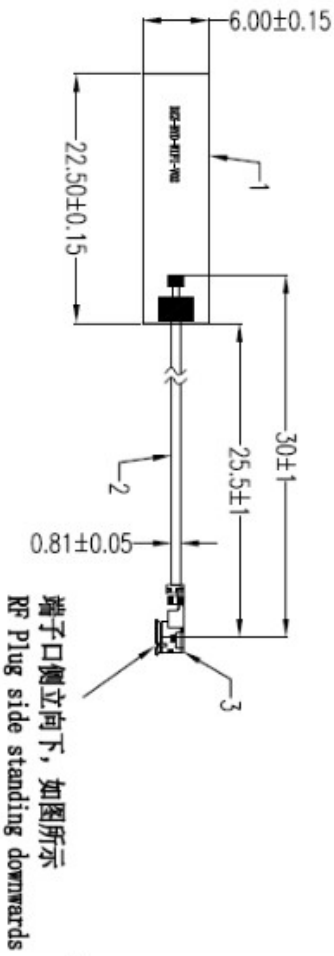


Back View





高型纸切断线
Release paper/Knife Edge



端子口侧立向下，如图所示
RF Plug side standing downwards

备注：
1. 标注“*”为重点尺寸，未标公差尺寸按照±0.15检测
2. 未标注尺寸请依图纸。
3. 符合ROHS
4. 出货方式：单片出货

| Rev | 1 | 2 | 3 | 4 | 5 | 6 | 7 | 8 |
|-------------|-------------|---|---|---|---|---|---|---|
| Description | | | | | | | | |
| Date | | | | | | | | |
| Remark | | | | | | | | |
| A | New drawing | | | | | | | |

| No. | Name | Material | Color | Treatment | Amount | Remark |
|-----|--------|----------|-------|-----------|--------|--------|
| 1 | 一代端子 | | 金色 | | 1 | |
| 2 | 射频线 | 0.81同轴线 | 黑色 | | 1 | |
| 3 | WiFi天线 | FPC | 黑色 | | 1 | |

| Project | SHEN ZHEN Be Comfortable CO., LTD | | Date | 2022.5.17 | |
|-----------|-----------------------------------|-------|-------------|-----------|-------|
| Part Name | WiFi | | Designed by | | |
| Part No. | NI2-7023-R0A | | Checked by | | |
| Material | N/A | | RF | 田进 冯惠平 | |
| DWG No. | | | Approved by | | |
| Location | | | Unit | mm | Scale |
| | | | | 1:1 | Rev |
| | | | | | A |
| 0~10 | ±0.05 | ○ | 0.02 | | |
| 10~18 | ±0.10 | ◎ | φ0.03 | | |
| 18~30 | ±0.12 | ┘ | 0.02 | | |
| 30~40 | ±0.15 | ┘ | 0.04 | | |
| 40~ | ±0.20 | angle | ±0.5° | | |

产品包装规范

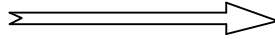
日期: 2021.9.14

page: 1 of 1

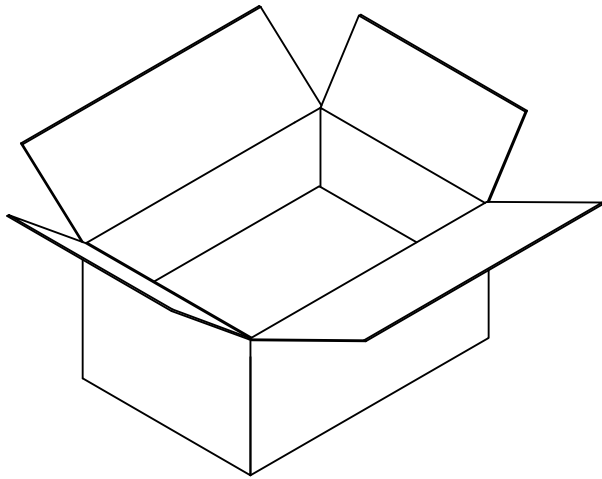
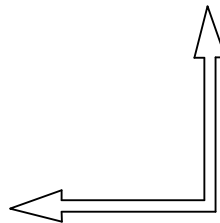
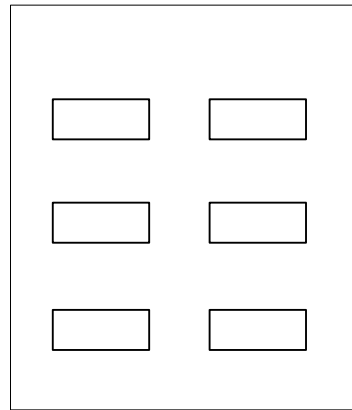
| | |
|-------------|-------|
| 成品类型: FPC天线 | 版本: A |
| | 客户: |

一: 成品天线

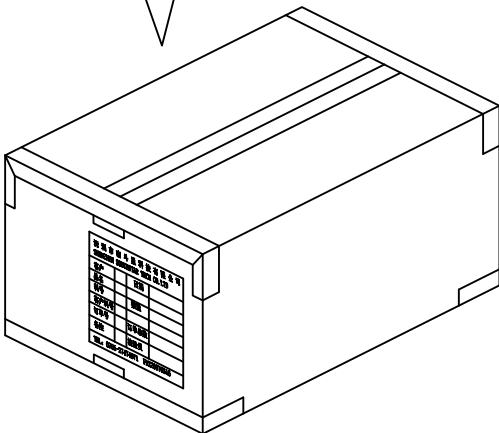
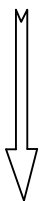
FPC天线

二: 用为微粘膜整版包装, 一袋装300pcs.



三: 装一箱, 一箱装12000PCS (以实际包装为准)



四: 封箱, 外箱贴我司生产标签和 ROHS 标签.

批准: _____

确认: _____ 拟制: _____

田进

由 Autodesk 教育版产品制作

由 Autodesk 教育版产品制作