

Test Laboratory: BTL Inc.

Date: 2016/8/25

### System Check\_B2450\_0825

**DUT: Dipole 2450 MHz D2450V2;SN:919;**

Communication System: UID 0, CW (0); Frequency: 2450 MHz; Duty Cycle: 1:1

Medium parameters used:  $f = 2450$  MHz;  $\sigma = 1.984$  S/m;  $\epsilon_r = 53.39$ ;  $\rho = 1000$  kg/m<sup>3</sup>

Ambient Temperature: 23.3 °C; Liquid Temperature: 22.4 °C

DASY Configuration:

- Probe: EX3DV4 - SN3932; ConvF(7.52, 7.52, 7.52); Calibrated: 2016/2/19;
- Sensor-Surface: 4mm (Mechanical Surface Detection),  $z = 1.0, 31.0$
- Electronics: DAE4 Sn1390; Calibrated: 2015/9/18
- Phantom: ELI v5.0; Type: QDOVA002AA; Serial: 1222
- DASY52 52.8.8(1222); SEMCAD X 14.6.10(7331)

**Area Scan (9x9x1):** Interpolated grid:  $dx=12$  mm,  $dy=12$  mm

Maximum value of SAR (interpolated) = 20.7 W/kg

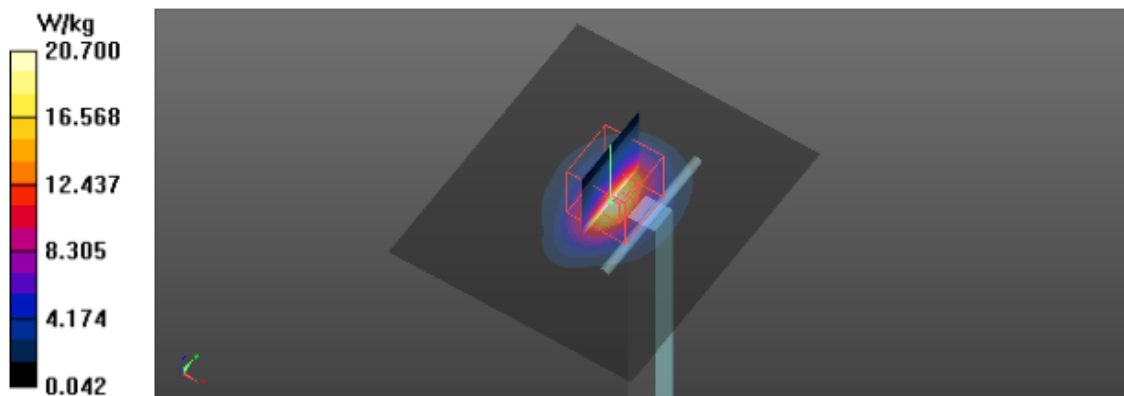
**Zoom Scan (7x7x7)/Cube 0:** Measurement grid:  $dx=5$ mm,  $dy=5$ mm,  $dz=5$ mm

Reference Value = 98.45 V/m; Power Drift = -0.09 dB

Peak SAR (extrapolated) = 23.7 W/kg

**SAR(1 g) = 12.67 W/kg; SAR(10 g) = 6.16 W/kg**

Maximum value of SAR (measured) = 18.7 W/kg



Test Laboratory: BTL Inc.

Date: 2016/8/24

#### System Check\_B5200\_0824

**DUT: Dipole D5GHzV2;SN;1160;**

Communication System: UID 0, CW (0); Frequency: 5200 MHz; Duty Cycle: 1:1

Medium parameters used:  $f = 5200$  MHz;  $\sigma = 5.406$  S/m;  $\epsilon_r = 47.7$ ;  $\rho = 996$  kg/m<sup>3</sup>

Ambient Temperature: 23.2 °C; Liquid Temperature: 22.3 °C

DASY Configuration:

- Probe: EX3DV4 - SN3932; ConvF(4.45, 4.45, 4.45); Calibrated: 2016/2/19;
- Sensor-Surface: 2mm (Mechanical Surface Detection),  $z = 1.0, 23.0$
- Electronics: DAE4 Sn1390; Calibrated: 2015/9/18
- Phantom: ELI v5.0; Type: QDOVA002AA; Serial: 1222
- DASY52 52.8.8(1222); SEMCAD X 14.6.10(7331)

**Area Scan (5x5x1):** Interpolated grid: dx=10 mm, dy=10 mm

Maximum value of SAR (interpolated) = 19.1 W/kg

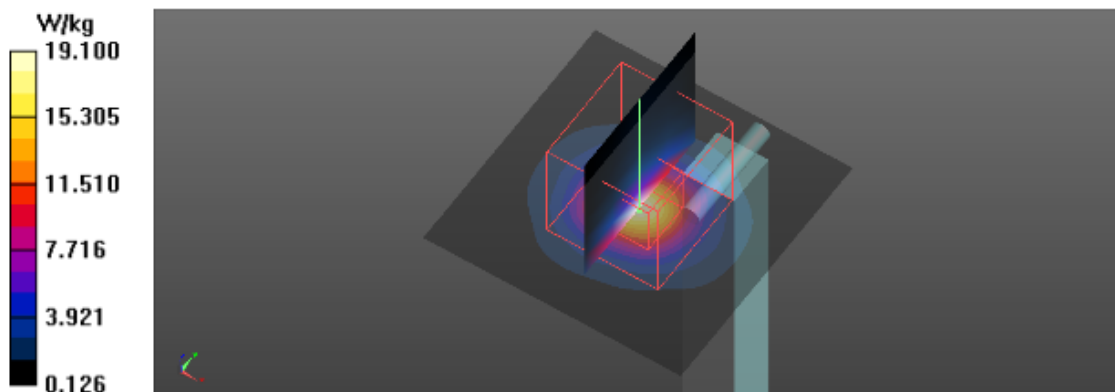
**Zoom Scan (7x7x12)/Cube 0:** Measurement grid: dx=4mm, dy=4mm, dz=2mm

Reference Value = 41.35 V/m; Power Drift = -0.08 dB

Peak SAR (extrapolated) = 32.3 W/kg

**SAR(1 g) = 7.85 W/kg; SAR(10 g) = 2.35 W/kg**

Maximum value of SAR (measured) = 15.8 W/kg



Test Laboratory: BTL Inc.

Date: 2016/8/24

### System Check\_B5300\_0824

**DUT: Dipole D5GHzV2;SN;1160;**

Communication System: UID 0, CW (0); Frequency: 5300 MHz; Duty Cycle: 1:1

Medium parameters used:  $f = 5300$  MHz;  $\sigma = 5.548$  S/m;  $\epsilon_r = 47.5$ ;  $\rho = 996$  kg/m<sup>3</sup>

Ambient Temperature: 23.2 °C; Liquid Temperature: 22.3 °C

DASY Configuration:

- Probe: EX3DV4 - SN3932; ConvF(4.29, 4.29, 4.29); Calibrated: 2016/2/19;
- Sensor-Surface: 2mm (Mechanical Surface Detection),  $z = 1.0, 23.0$
- Electronics: DAE4 Sn1390; Calibrated: 2015/9/18
- Phantom: ELI v5.0; Type: QDOVA002AA; Serial: 1222
- DASY52 52.8.8(1222); SEMCAD X 14.6.10(7331)

**Area Scan (5x5x1):** Interpolated grid: dx=10 mm, dy=10 mm

Maximum value of SAR (interpolated) = 18.8 W/kg

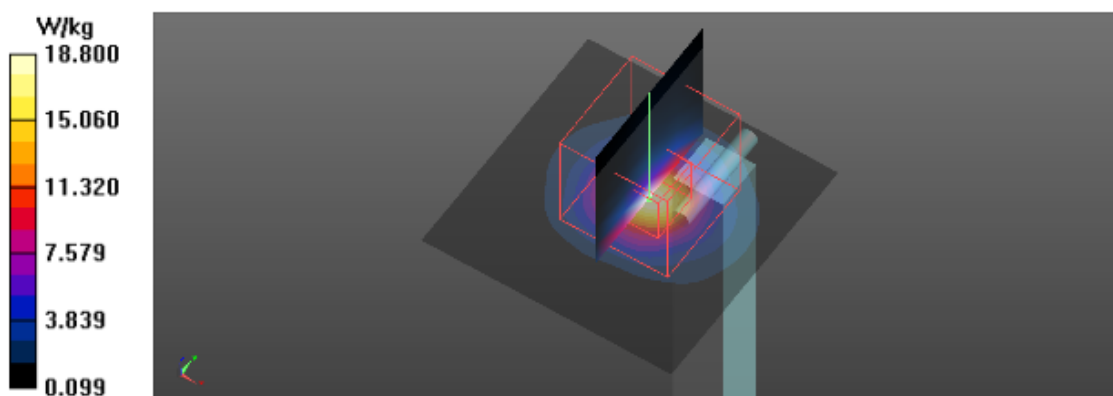
**Zoom Scan (7x7x12)/Cube 0:** Measurement grid: dx=4mm, dy=4mm, dz=2mm

Reference Value = 37.81 V/m; Power Drift = -0.06 dB

Peak SAR (extrapolated) = 34.5 W/kg

**SAR(1 g) = 7.91 W/kg; SAR(10 g) = 2.37 W/kg**

Maximum value of SAR (measured) = 16.3 W/kg



Test Laboratory: BTL Inc.

Date: 2016/8/24

#### System Check\_B5600\_0824

**DUT: Dipole D5GHzV2;SN;1160;**

Communication System: UID 0, CW (0); Frequency: 5600 MHz; Duty Cycle: 1:1

Medium parameters used:  $f = 5600$  MHz;  $\sigma = 5.912$  S/m;  $\epsilon_r = 47.22$ ;  $\rho = 996$  kg/m<sup>3</sup>

Ambient Temperature: 23.2 °C; Liquid Temperature: 22.3 °C

DASY Configuration:

- Probe: EX3DV4 - SN3932; ConvF(3.71, 3.71, 3.71); Calibrated: 2016/2/19;
- Sensor-Surface: 2mm (Mechanical Surface Detection),  $z = 1.0, 23.0$
- Electronics: DAE4 Sn1390; Calibrated: 2015/9/18
- Phantom: ELI v5.0; Type: QDOVA002AA; Serial: 1222
- DASY52 52.8.8(1222); SEMCAD X 14.6.10(7331)

**Area Scan (5x5x1):** Interpolated grid: dx=10 mm, dy=10 mm

Maximum value of SAR (interpolated) = 18.6 W/kg

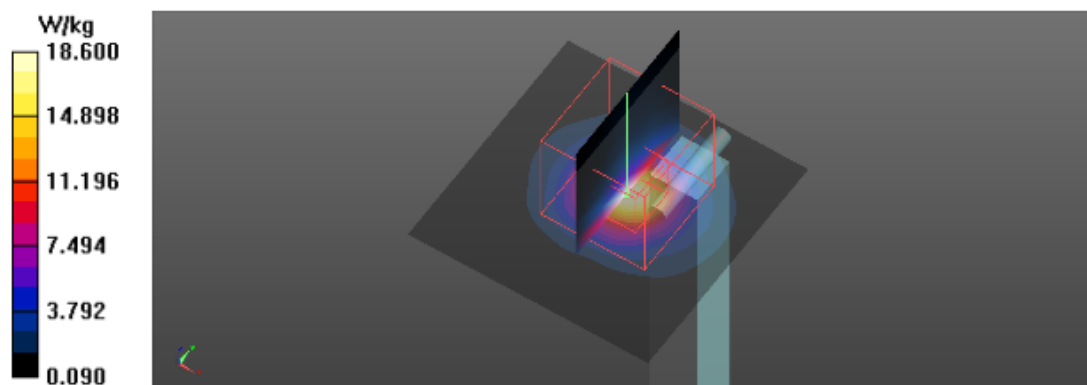
**Zoom Scan (7x7x12)/Cube 0:** Measurement grid: dx=4mm, dy=4mm, dz=2mm

Reference Value = 36.17 V/m; Power Drift = -0.01 dB

Peak SAR (extrapolated) = 35.1 W/kg

**SAR(1 g) = 8.2 W/kg; SAR(10 g) = 2.34 W/kg**

Maximum value of SAR (measured) = 16.1 W/kg



Test Laboratory: BTL Inc.

Date: 2016/8/24

#### System Check\_B5800\_0824

**DUT: Dipole D5GHzV2;SN;1160;**

Communication System: UID 0, CW (0); Frequency: 5800 MHz; Duty Cycle: 1:1

Medium parameters used:  $f = 5800$  MHz;  $\sigma = 5.871$  S/m;  $\epsilon_r = 47.295$ ;  $\rho = 996$  kg/m<sup>3</sup>

Ambient Temperature: 23.2 °C; Liquid Temperature: 22.3 °C

DASY Configuration:

- Probe: EX3DV4 - SN3932; ConvF(3.88, 3.88, 3.88); Calibrated: 2016/2/19;
- Sensor-Surface: 2mm (Mechanical Surface Detection),  $z = 1.0, 31.0$
- Electronics: DAE4 Sn1390; Calibrated: 2015/9/18
- Phantom: ELI v5.0; Type: QDOVA002AA; Serial: 1222
- DASY52 52.8.8(1222); SEMCAD X 14.6.10(7331)

**Area Scan (5x5x1):** Interpolated grid: dx=10 mm, dy=10 mm

Maximum value of SAR (interpolated) = 18.6 W/kg

**Zoom Scan (7x7x12)/Cube 0:** Measurement grid: dx=4mm, dy=4mm, dz=2mm

Reference Value = 33.93 V/m; Power Drift = -0.03 dB

Peak SAR (extrapolated) = 40.1 W/kg

**SAR(1 g) = 7.88 W/kg; SAR(10 g) = 2.23 W/kg**

Maximum value of SAR (measured) = 15.7 W/kg

