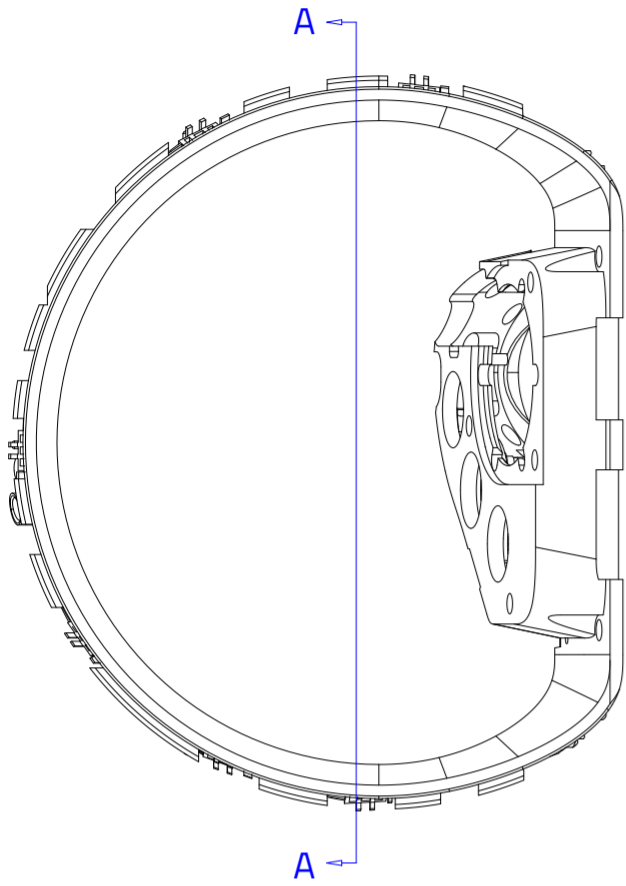
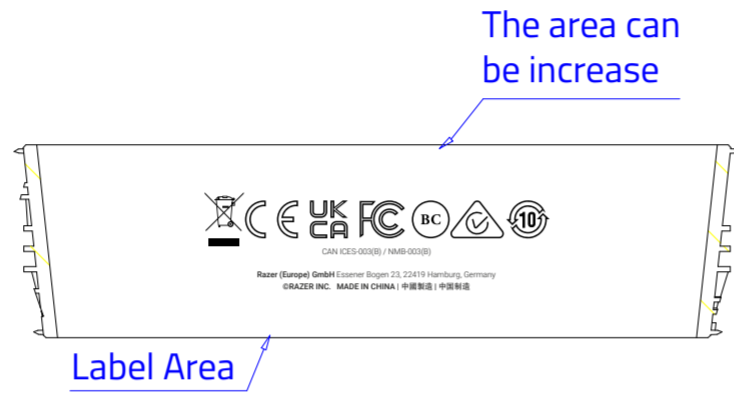


# LEFT CONTROLLER



LEFT LOOP BOTTOM COVER  
(Molded High Gloss)



SECTION A A

LEFT BOTTOM COVER  
(Laser Etch)

