

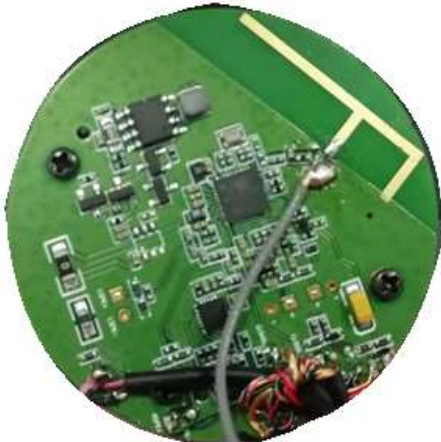
Antenna Test

Model no.: RZ04-0486

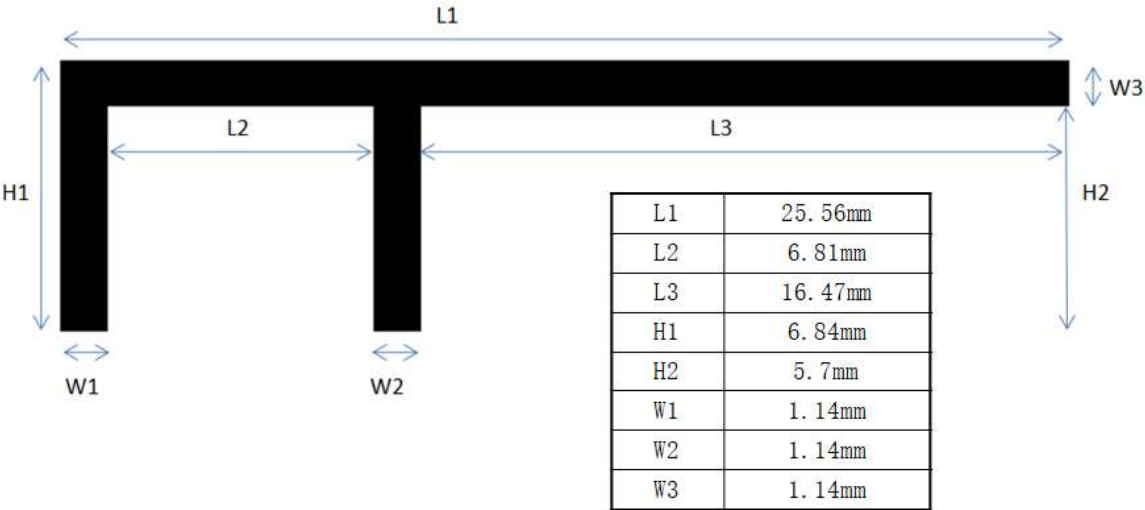
Manufacturer: Razer Inc.

Address: 9 Pasteur, Suite 100, Irvine, CA92618, USA

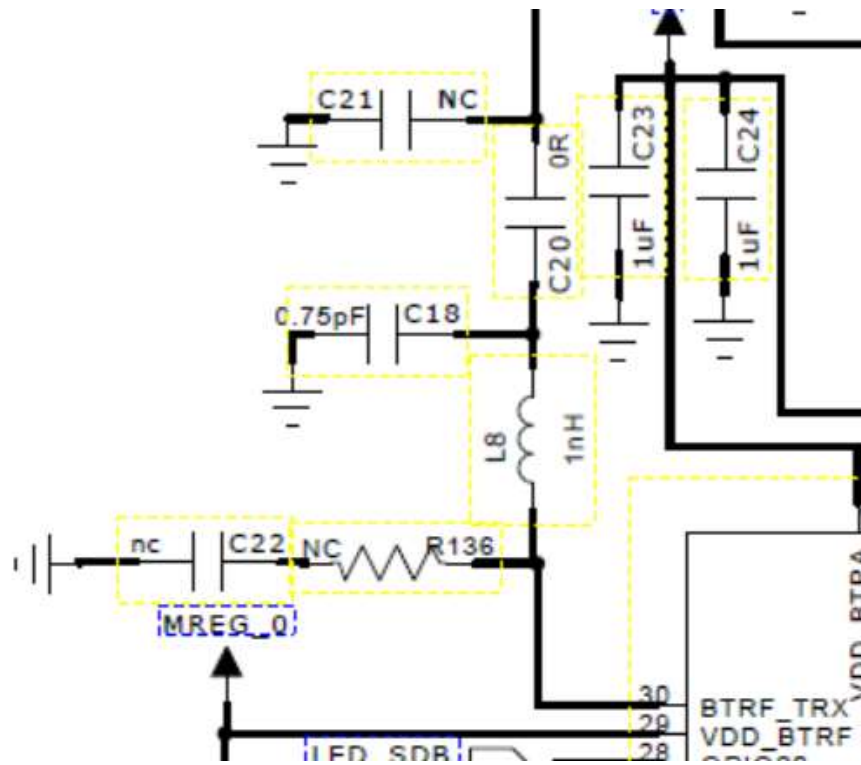
Antenna Location



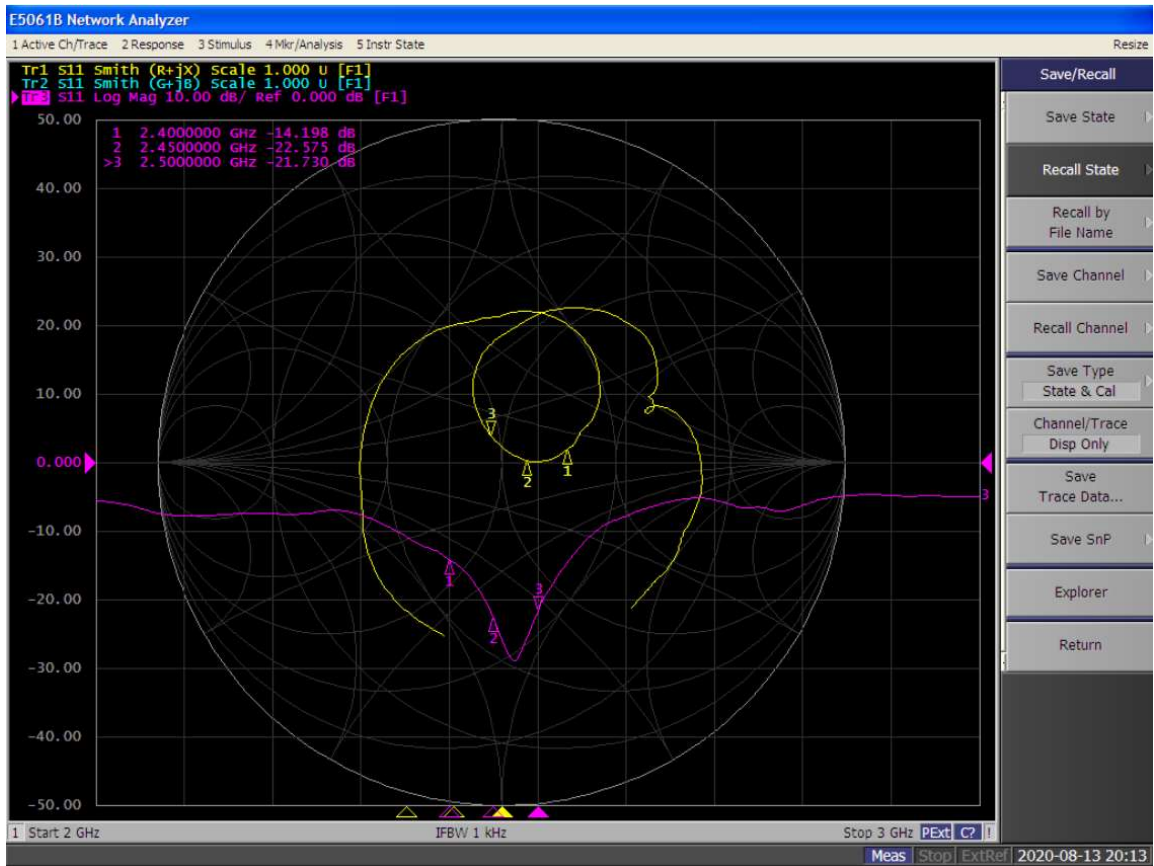
PCB antenna dimensions



Matching circuit



Antenna return loss test



Antenna passive test

Antenna efficiency : Free Space

55%@ 2.45Ghz

Frequency	Gain . dB
2400MHz	2.128692
2410MHz	2.275815
2420MHz	2.42411
2430MHz	2.494504
2440MHz	2.534265
2450MHz	2.638445
2460MHz	2.671843
2470MHz	2.683322
2480MHz	2.60766
2490MHz	2.558581
2500MHz	2.532057

Frequency	Efficiency	Efficiency . dB
2400MHz	0.529206	-2.76375
2410MHz	0.540952	-2.66841
2420MHz	0.55258	-2.57605
2430MHz	0.551757	-2.58252
2440MHz	0.551214	-2.5868
2450MHz	0.558134	-2.53261
2460MHz	0.551903	-2.58137
2470MHz	0.547632	-2.61511
2480MHz	0.531663	-2.74364
2490MHz	0.515831	-2.87493
2500MHz	0.506353	-2.95547

