



# GAMING HEADSET (RZ04-0398)

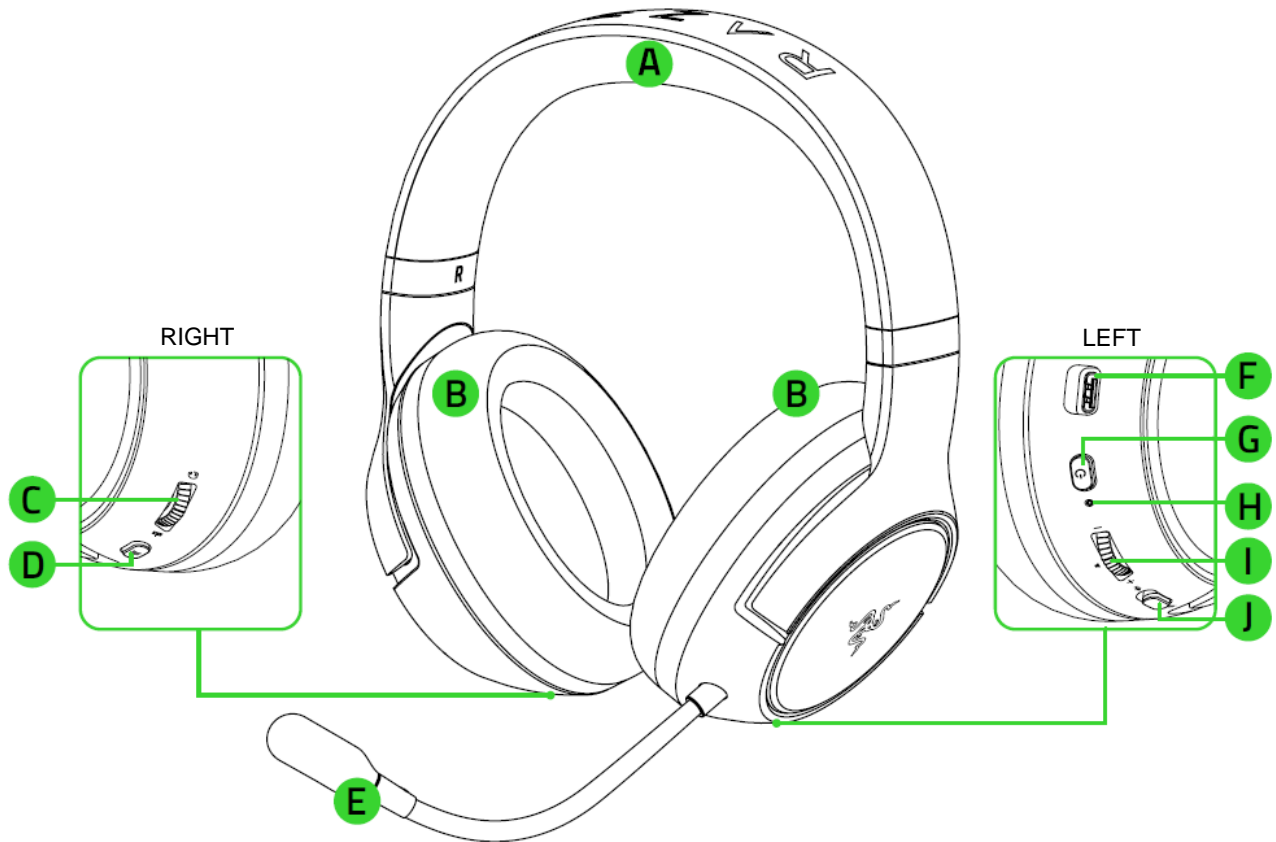
IMPORTANT PRODUCT INFORMATION GUIDE

---

## WHAT'S INSIDE / WHAT'S NEEDED

### WHAT'S INSIDE

- Gaming headset (RZ04-0398)

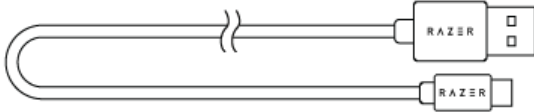


- A. Auto-adjusting headband
- B. FlowKnit memory foam ear cushions
- C. Sidetone wheel
- D. Multi-function button
- E. Bendable Razer™ HyperClear cardioid mic

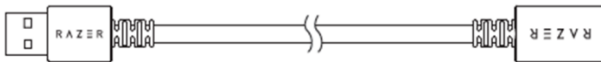
- F. Charging port
- G. Power button
- H. Status indicator
- I. Volume wheel
- J. Mic mute switch

- Type-C wireless dongle  
[image placeholder]

- Type-A to Type-C charging cable



- Type-A to Type-C adapter cable



- Important Product Information Guide

## WHAT'S NEEDED

### PRODUCT REQUIREMENTS

- PlayStation®4 / PlayStation®5 or PC (Windows® 10 64-bit or higher)
- USB Type-C or Type-A port
- Devices with Bluetooth audio capability

### RAZER AUDIO APP REQUIREMENTS

- iOS 12 / Android 8.1 Oreo (or higher) device with Bluetooth connectivity
- Internet connection for app installation

**i** *PC compatibility not tested nor endorsed by Sony Interactive Entertainment Inc.*

---

## LET'S GET YOU COVERED

You've got a great device in your hands, complete with a 2-year limited warranty coverage. Now maximize its potential and score exclusive Razer benefits by registering at [razerid.razer.com](https://razerid.razer.com)

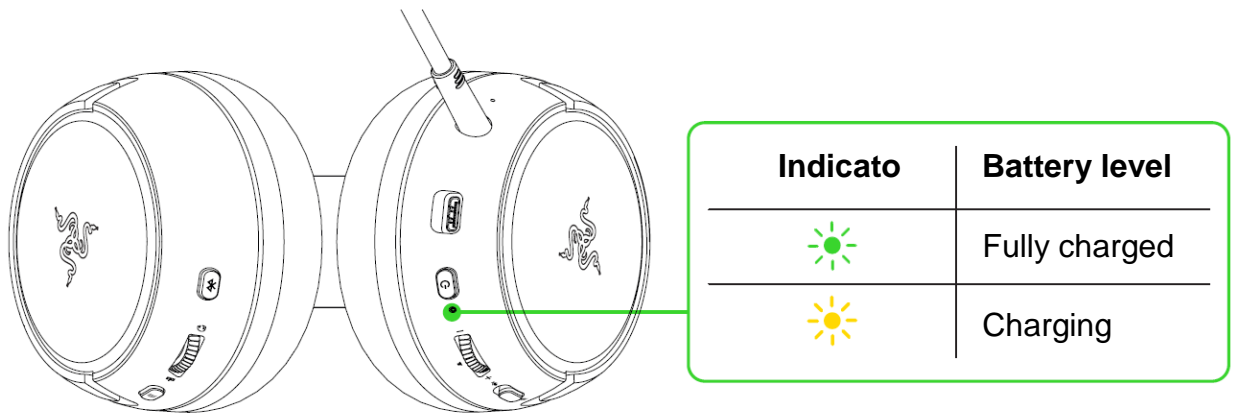
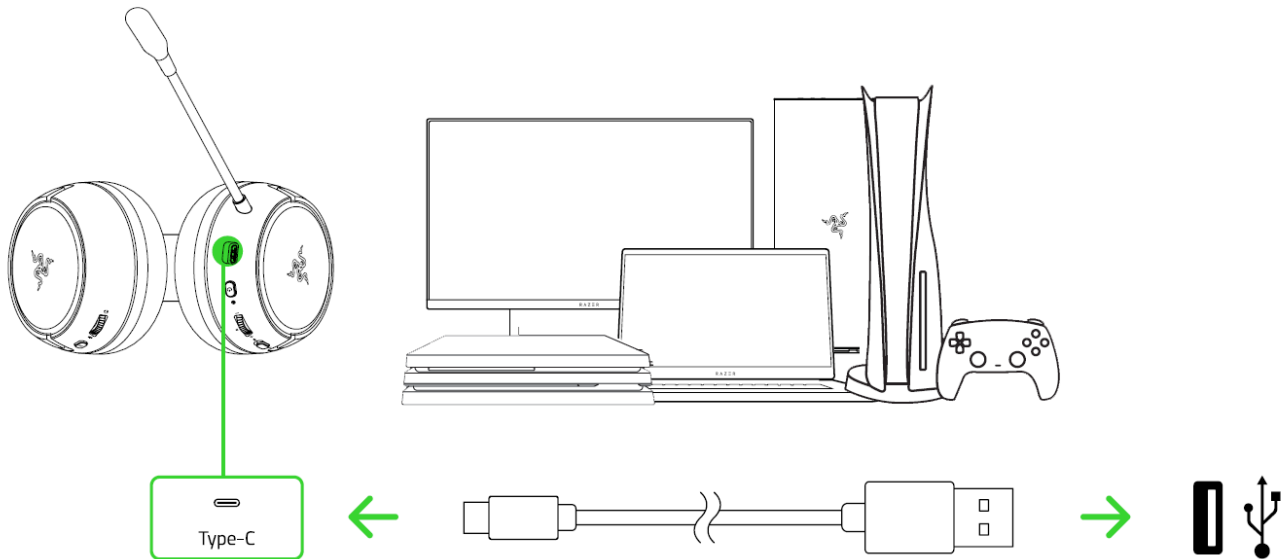
*Your product's  
serial number  
can be found  
here.*

Got a question? Ask the Razer Support Team at [support.razer.com](https://support.razer.com)

# GETTING STARTED

## CHARGING THE HEADSET

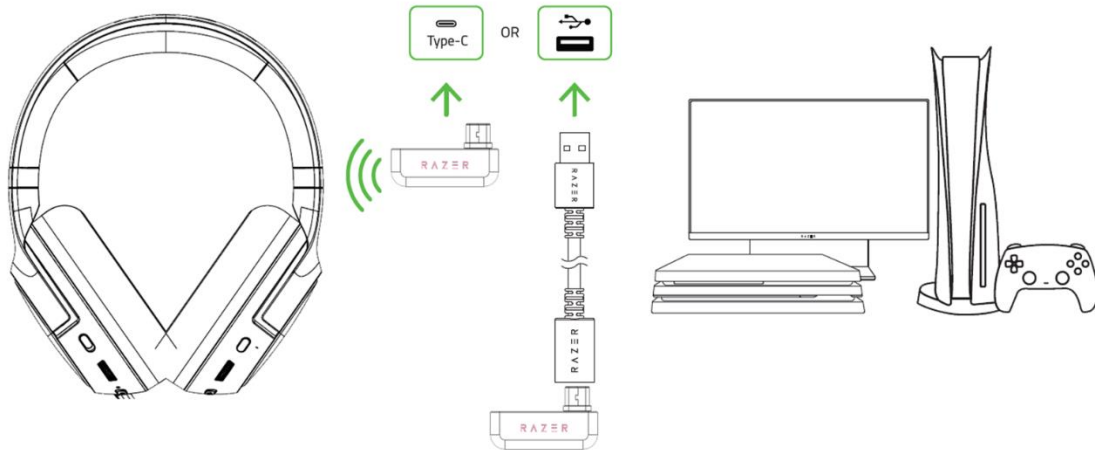
Connect the Gaming headset to a powered USB port using the charging cable. For best results, please fully charge the headset before using it for the first time. A depleted headset will fully charge in about 4 hours.



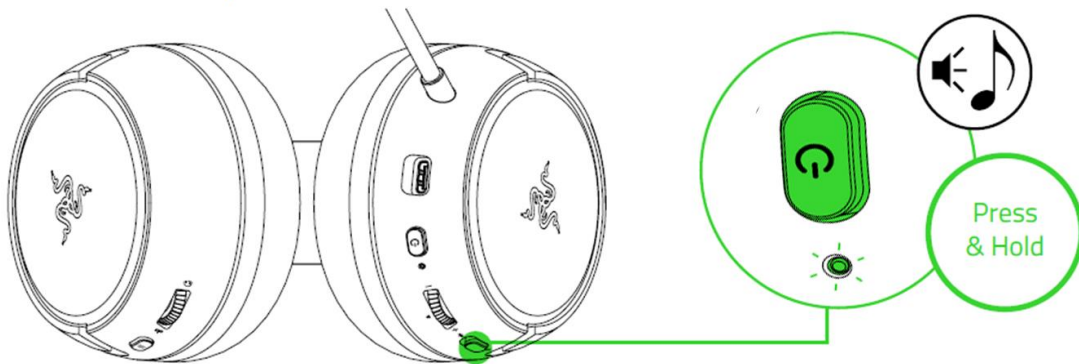
# CONNECTING YOUR HEADSET

## A. VIA 2.4GHZ WIRELESS MODE

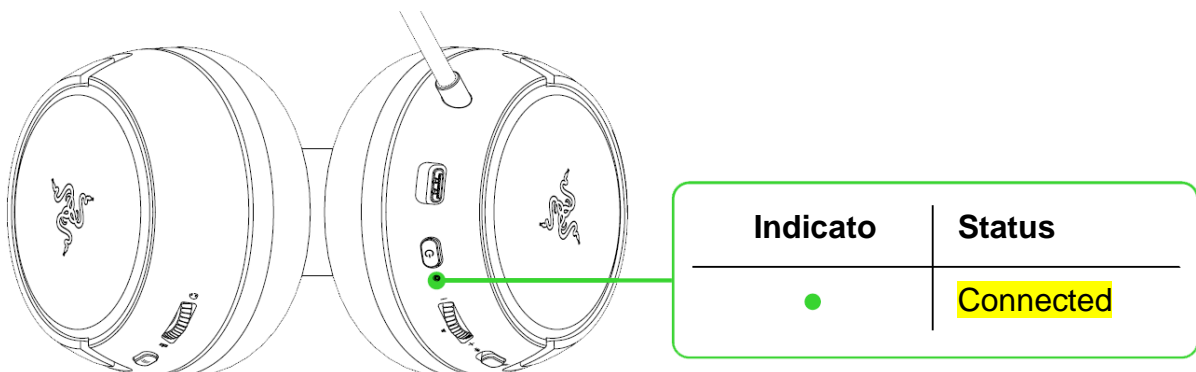
1. Plug the Type-C wireless dongle to your PlayStation console or PC.



2. Press and hold the Power button until the status indicator is briefly lit or until you hear a voice prompt.



3. Wait until the status indicator briefly becomes static green indicating that the headset is now connected to the Type-C wireless dongle.



4. On your PlayStation console or PC, set the Gaming headset as the default **Input** and **Output Device**.

On **PlayStation 5**, go to **Settings > Sound**

- On **Microphone**, set the **Input Device** to **Razer Kaira**.
- On **Audio Output**, set the **Output Device** to **Razer Kaira**.

On **PlayStation 4**, go to **Settings > Devices > Audio Devices**

- Set the **Input Device** and **Output Device** to **Razer Kaira**.

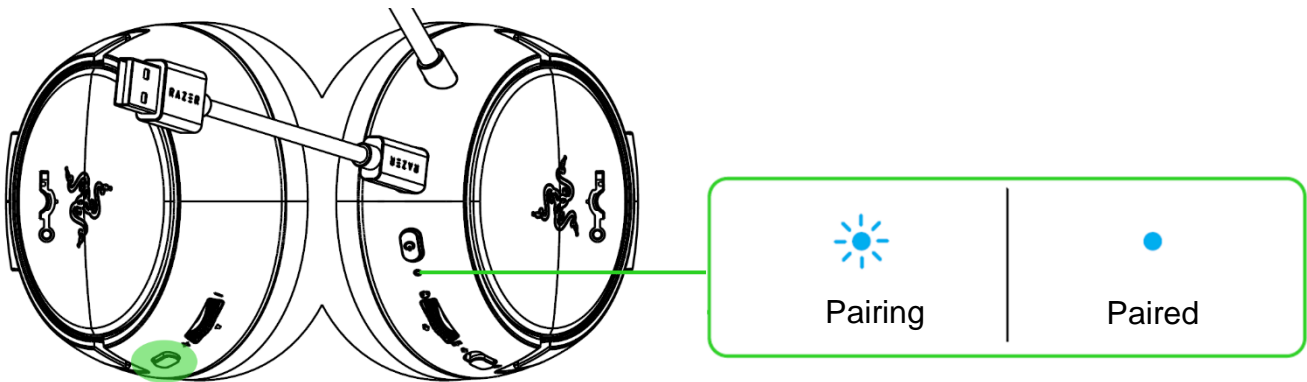
On **PC / Laptop**

- a. Right click on the sound icon on the system tray and then select **Open Sound settings**.
- b. On the Sound window, set **Razer Kaira** as the default **Output** and **Input** device.

The Gaming headset is now ready for use in wireless mode.

## B. TO OTHER DEVICES VIA BLUETOOTH

While powered on, press the Multi-function button for 5 seconds to activate Bluetooth pairing mode. Follow your device's instructions and select "**Razer Kaira**" from the list of found devices. The status indicator will briefly change to static blue to indicate that the headset is now paired with your device.



## RAZER SMARTSWITCH

With the Gaming headset connected to a PC or PlayStation console (via Type-C wireless dongle) and a mobile device (via Bluetooth), you'll be able to manage calls from your mobile device even while gaming on your PC or PlayStation console. The status indicator will briefly show static white to indicate that the headset is connected to both audio sources.



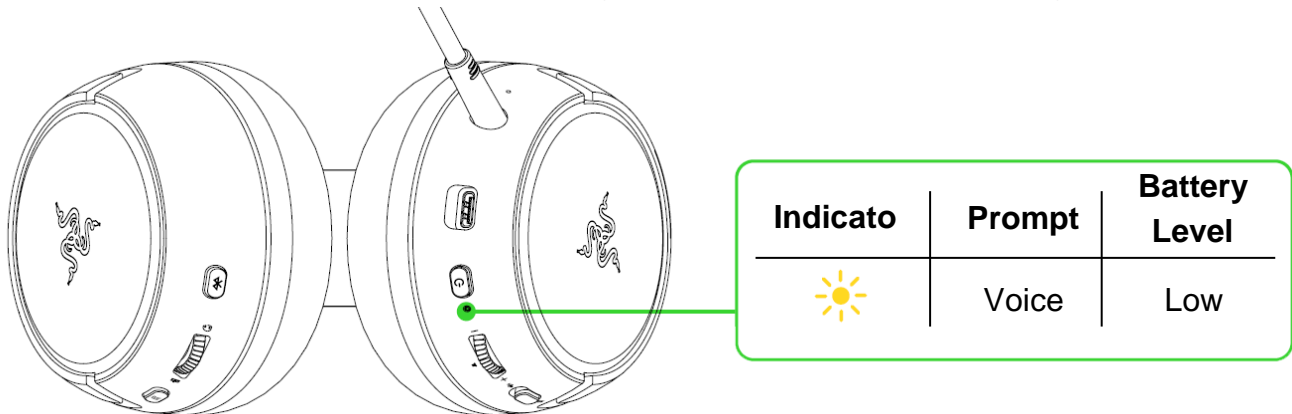
---

## USING YOUR HEADSET

### BATTERY LEVEL

When unplugged and powered on, the status indicator will show the connection and battery status.

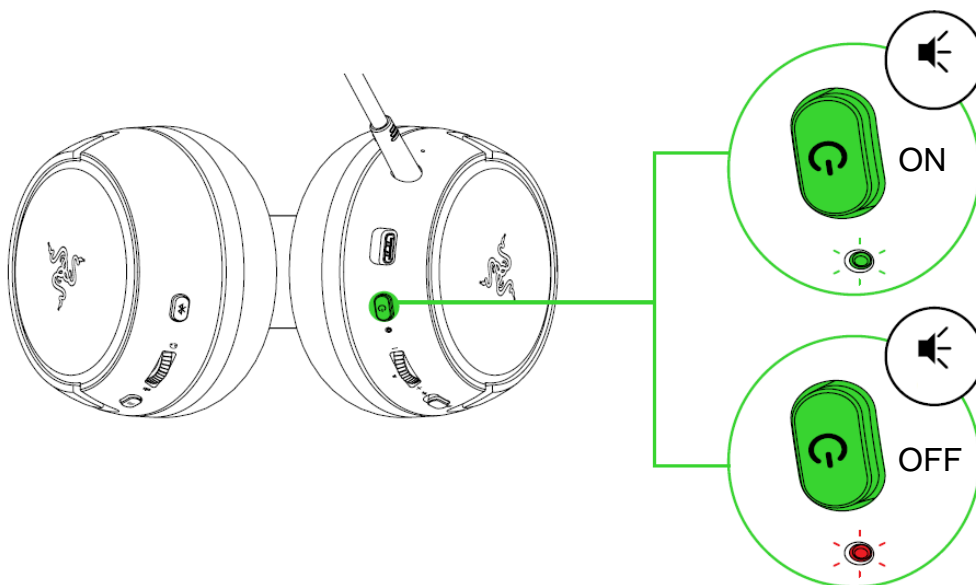
While in use, you'll hear a voice prompt when the headset needs to be recharged; during such time, the indicator will continue showing the battery level until you charge the headset.



### POWER BUTTON

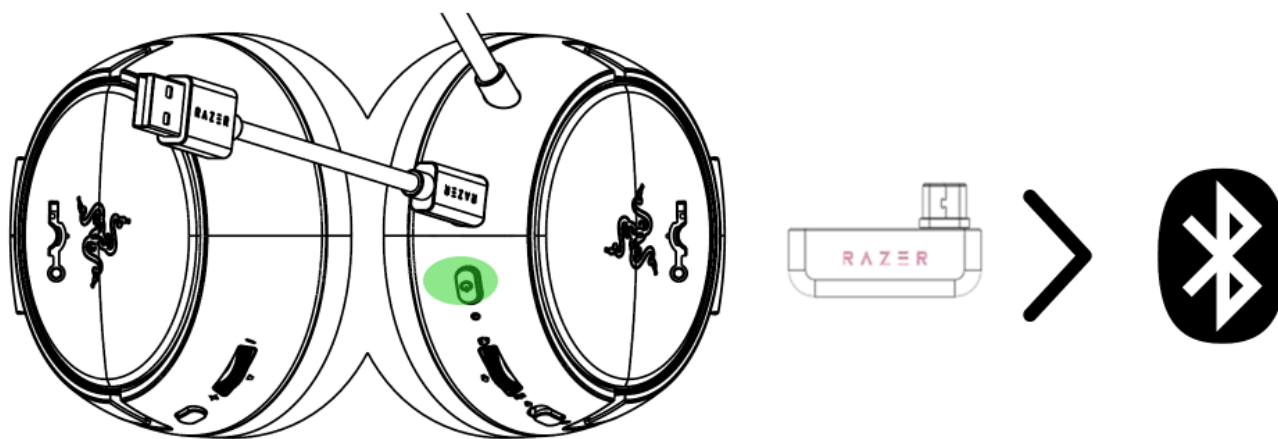
#### Power ON / OFF

Power on the headset by holding the Power button until the status indicator is on; and holding the Power button again to turn off. An audio prompt will help notify you when the headset is powered on or off.



## Use Type-C wireless dongle as audio source

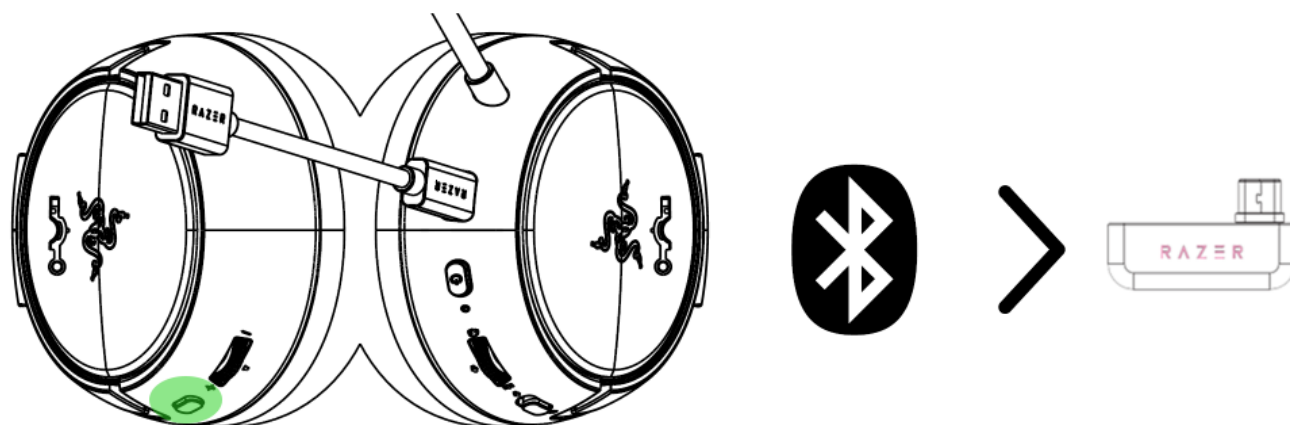
When powered on and using Bluetooth as audio source, press the Power button to switch to the Type-C wireless dongle.



## MULTI-FUNCTION BUTTON

### Use Bluetooth as audio source

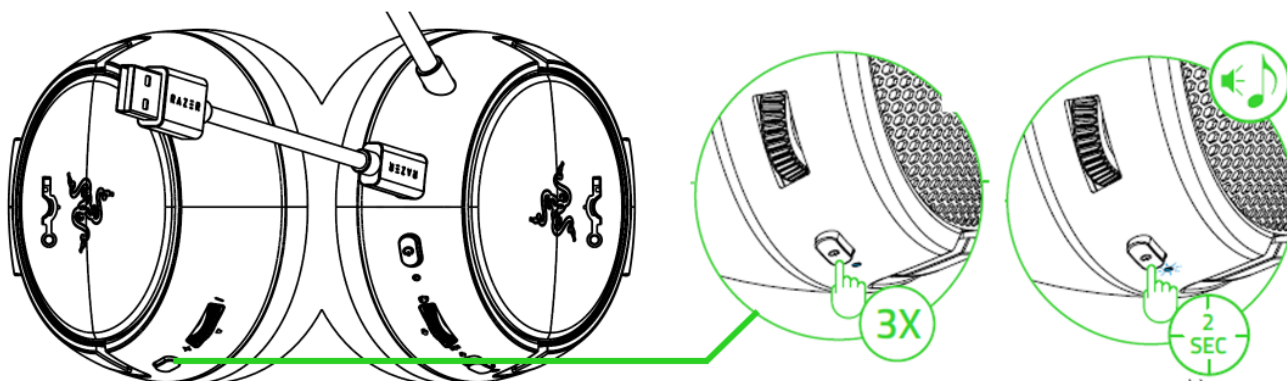
When powered on and using the Type-C wireless dongle as audio source, press the Multi-function button to switch to Bluetooth.



**i** Using Bluetooth as the audio source will reconnect the headset to the last known device. Pairing mode will be activated if no device is found.

## Enable / Disable Gaming Mode

While connected via Bluetooth, triple press the Multi-function button then hold the last press for 2 seconds to activate Gaming Mode. Once enabled, the headset will function at a lower latency; giving you real-time audio feedback while gaming. Repeat to disable gaming mode.



**i** This feature is only available on Bluetooth connection. For best performance, it is recommended to keep the headset within a very close distance of the audio source.

## Other functions

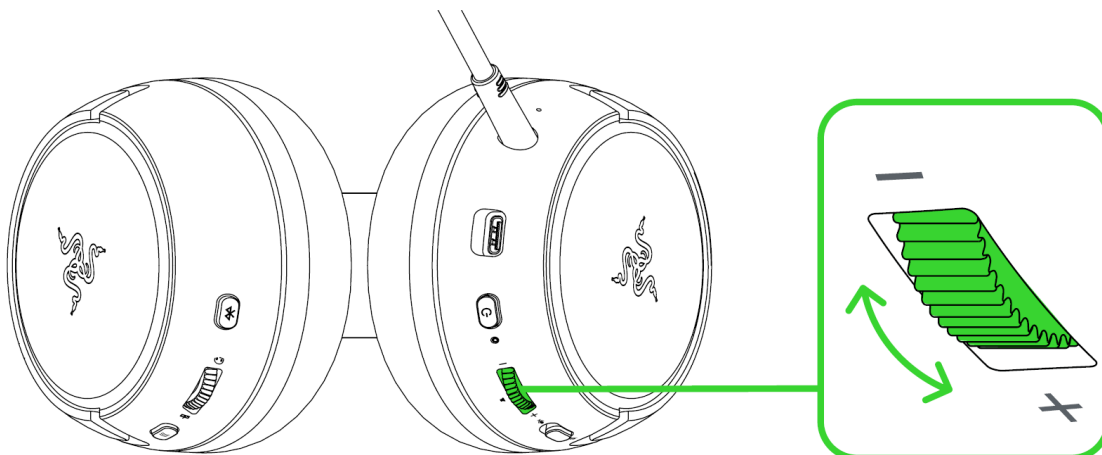
Other functions are available when the headset is powered on and connected to your device via Bluetooth. These functions operate based on your device's current activity.

**i** Some features listed here may not be applicable to certain devices.

Single press	Play/pause
	Accept incoming call or end current call
	Put call on-hold and accept incoming call
	End call and swap to on-hold call
	<b>Set Bluetooth as audio source</b>
Press and hold for 2 seconds	Reject incoming call
	Swap calls
Press and hold for 5 seconds	Activate Bluetooth pairing mode
Double press	Skip track
Triple press	Previous track
<b>Triple press then hold the last press for 2 seconds</b>	Enable or disable Gaming Mode

## VOLUME WHEEL

Rotate the Volume wheel to increase or decrease the volume.



## SIDETONE WHEEL

Rotate the Sidetone wheel to adjust the volume of your voice that you can hear through the headset.

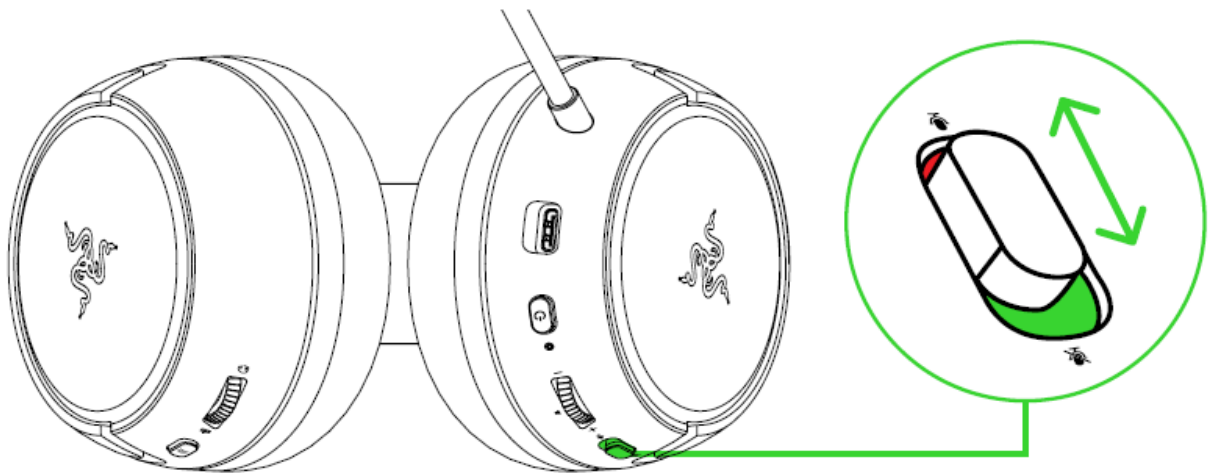
[image placeholder]

## RAZER™ HYPERCLEAR CARDIOID MIC

Bend the Razer™ HyperClear Cardioid mic until it is parallel to your mouth. Make sure the mic diaphragm is in front and the air vent is facing away from your mouth.

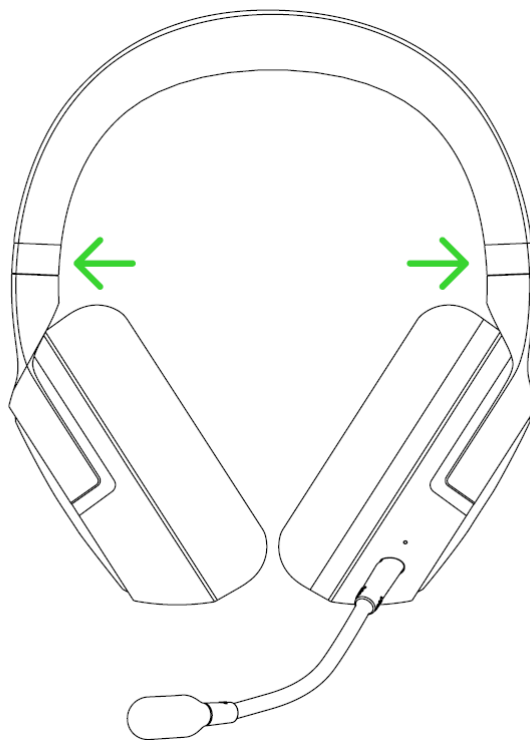


Slide the mic mute switch to mute or unmute the microphone.



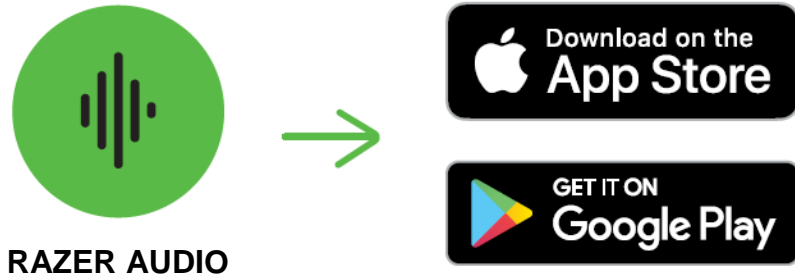
## COMFORT

It's recommended to gently stretch the headset before placing it over your head to minimize headband stress, however, don't stretch the headset beyond its limits.



## RAZER AUDIO APP

Making advanced customization just got a whole lot easier for your Gaming headset. With the Razer Audio app, personalize your own EQ setting or cycle through presets, customize its auto shutoff feature, update to the latest firmware, and much more — anytime, anywhere.



Find out more about your brand-new wireless headset at [support.razer.com](https://support.razer.com).

---

## SAFETY AND MAINTENANCE

### SAFETY GUIDELINES

In order to achieve maximum safety while using your Gaming headset, we suggest that you adopt the following guidelines:

Should you have trouble operating the device properly and troubleshooting does not work, unplug the device and contact the Razer hotline or go to for assistance.

Do not take apart the device (doing so will void your warranty) and do not attempt to operate it under abnormal current loads.

Keep the device away from liquid, humidity or moisture. Operate the device only within the specific temperature range of 0°C (32°F) to 40°C (104°F). Should the temperature exceed this range, unplug and/or switch off the device in order to let the temperature stabilize to an optimal level.

The device isolates external ambient sounds even at low volumes, resulting in lowered awareness of your external surroundings. Please remove the device when engaging in any activities that requires active awareness of your surroundings.

Listening to excessively loud volumes over extended periods of time can damage your hearing. Furthermore, legislation of certain countries permits a maximum sound level of 86db to affect your hearing for 8 hours a day. We therefore recommend that you reduce the volume to a comfortable level when listening for prolonged periods of time. Please, take good care of your hearing.

### MAINTENANCE AND USE

The Gaming headset requires minimum maintenance to keep it in optimum condition. Once a month we recommend you clean it using a soft cloth or cotton swab to prevent dirt buildup. Do not use soap or harsh cleaning agents.

### BATTERY WARNING

The Gaming headset contains a Li-ion rechargeable battery. In general, the life expectancy of such batteries is dependent upon usage. If you suspect that the Li-ion rechargeable battery inside the Gaming headset may be drained (has a low charge), try charging it.



**Caution:** Do not open, mutilate, or expose to conducting materials (metal), moisture, liquid, fire, or heat. Doing so may cause batteries to leak or explode, resulting in personal injury. Battery life varies with usage.

---

## LEGALESE


### COPYRIGHT AND INTELLECTUAL PROPERTY INFORMATION

©2021 Razer Inc. All rights reserved. Razer, the triple-headed snake logo, Razer logo, “For Gamers. By Gamers.” and “Razer Chroma” are trademarks or registered trademarks of Razer Inc. and/or affiliated companies in the United States and other countries. Actual product may differ from pictures. All other trademarks are the property of their respective owners. Warranty not valid outside of product’s intended region.

©2018 Google LLC All rights reserved. Android, Google, Google Logo, Google Play, and the Google Play logo are registered trademarks of Google LLC.

Apple, the Apple logo, and iPhone are trademarks of Apple Inc., registered in the U.S. and other countries. App Store is a service mark of Apple Inc. iOS is a trademark or registered trademark of Cisco in the U.S. and other countries and is used under license.

The Bluetooth® word mark and logos are registered trademarks owned by Bluetooth SIG, Inc., and any use of such marks by Razer is under license.

"", "PlayStation", "PS5", and "PS4" are registered trademarks of Sony Interactive Entertainment Inc. All rights reserved. Manufactured and distributed under license from Sony Interactive Entertainment LLC.

Windows and the Windows logo are trademarks of the Microsoft group of companies.

Razer Inc. (“Razer”) may have copyright, trademarks, trade secrets, patents, patent applications, or other intellectual property rights (whether registered or unregistered) concerning the product in this guide. Furnishing of this guide does not give you a license to any such copyright, trademark, patent or other intellectual property right. The Gaming headset (the “Product”) may differ from pictures whether on packaging or otherwise. Razer assumes no responsibility for such differences or for any errors that may appear. Information contained herein is subject to change without notice.

## LIMITED PRODUCT WARRANTY

For the latest and current terms of the Limited Product Warranty, please visit [razer.com/warranty](https://www.razer.com/warranty).

## LIMITATION OF LIABILITY

Razer shall in no event be liable for any lost profits, loss of information or data, special, incidental, indirect, punitive or consequential or incidental damages, arising in any way out of distribution of, sale of, resale of, use of, or inability to use the Product. In no event shall Razer's liability exceed the retail purchase price of the Product.

## GENERAL

These terms shall be governed by and construed under the laws of the jurisdiction in which the Product was purchased. If any term herein is held to be invalid or unenforceable, then such term (in so far as it is invalid or unenforceable) shall be given no effect and deemed to be excluded without invalidating any of the remaining terms. Razer reserves the right to amend any term at any time without notice.

## FCC Radiation Exposure Statement

This device complies with FCC radiation exposure limits set forth for an uncontrolled environment and it also complies with Part 15 of the FCC RF Rules. This equipment must not be co-located or operating in conjunction with any other antenna or transmitter. End-users and installers must be provide with antenna installation instructions and consider removing the no-collocation statement.

## FCC DECLARATION OF CONFORMANCE

This equipment has been tested and found to comply with the limits for a Class B digital device, pursuant to part 15 of the FCC Rules. These limits are designed to provide reasonable protection against harmful interference in a residential installation. This equipment generates, uses and can radiate radio frequency energy and, if not installed and used in accordance with the instructions, may cause harmful interference to radio communications. However, there is no guarantee that interference will not occur in a particular installation. If this equipment does cause harmful interference to radio or television reception, which can be determined by turning the equipment off and on, the user is encouraged to try to correct the interference by one or more of the following measures:

- Reorient or relocate the receiving antenna.
- Increase the separation between the equipment and the receiver.
- Connect the equipment into an outlet on a circuit different from that to which the receiver is connected.
- Consult the dealer or an experienced radio TV technician for help.

For more information, refer to the online help system on [razer.com](http://razer.com).

## FCC CAUTION STATEMENT

This device complies with Part 15 of the FCC Rules. Operation is subject to the following two conditions:

1. This device may not cause harmful interference, and
2. This device must accept any interference received, including interference that may cause undesired operation.

Any changes or modifications not expressly approved by the party responsible for compliance could void the user's authority to operate this equipment.

## NOTICE FOR CANADA

This device complies with Industry Canada's licence-exempt RSSs.

Operation is subject to the following two conditions:

- (1) This device may not cause interference; and
- (2) This device must accept any interference, including interference that may cause undesired operation of the device.

Le présent appareil est conforme aux CNR d'Industrie Canada applicables aux appareils radio exempts de licence.

L'exploitation est autorisée aux deux conditions suivantes :

- (1) l'appareil ne doit pas produire de brouillage;

(2) l'utilisateur de l'appareil doit accepter tout brouillage radioélectrique subi, même si le brouillage est susceptible d'en compromettre le fonctionnement.

#### NOTICE FOR CANADA

This Class B digital apparatus complies with Canadian ICES-003. Cet appareil numérique de la classe B est conforme à la norme NMB-003 du Canada.

#### CANADIAN CLASS B STATEMENT:

This digital apparatus does not exceed the Class B limits for radio noise emissions from digital apparatus as set out in the radio interference regulations of Industry Canada. Le présent appareil numérique n'émet pas de bruits radioélectriques dépassant les limites applicables aux appareils numériques de Classe B prescrites dans le règlement sur le brouillage radioélectrique édicté par Industrie Canada.

#### CANADA SAR

This transmitter must not be co-located or operating in conjunction with any other antenna or transmitter. This equipment should be installed and operated with a minimum distance of 0mm between the radiator and your body.

Cet émetteur ne doit pas être Co-place ou ne fonctionnant en même temps qu'aucune autre antenne ou émetteur. Cet équipement devrait être installé et actionné avec une distance minimum de 0mm entre le radiateur et votre corps.



# EU PRODUCT AND BATTERY DISPOSAL INFORMATION

## BATTERY WARNING

The Gaming Headset contains a Li-ion rechargeable battery. In general, the life expectancy of such batteries is dependent upon usage. If you suspect that the Li-ion rechargeable battery inside the Gaming Headset may be drained (has a low charge), try charging it. Caution: Do not open, mutilate, or expose to conducting materials (metal), moisture, liquid, fire, or heat. Doing so may cause batteries to leak or explode, resulting in personal injury. Do not leave the rechargeable battery discharged or unused for extended periods. Battery life varies with usage.



Li-ion

This equipment is for home use, and has acquired electromagnetic conformity registration, so it can be used not only in residential areas, but also other areas.

## BATTERY INFO

Risk of fire or explosion or defeat the safeguard of equipment if the battery is replaced by an incorrect type. Replace only with the same or equivalent type. Disposal of a battery into fire or a hot oven, or mechanically crushing or cutting of a battery, that can result in an explosion. High or low extreme temperatures or low air pressure at high altitude that the battery can be subjected to during use, storage or transportation. Leaving the battery in an extremely high temperature and/or low air pressure surrounding environment that can result in an explosion or the leakage of flammable liquid or gas.



# STATEMENT OF COMPLIANCE WITH EU DIRECTIVE

## **STATEMENT OF COMPLIANCE WITH EU DIRECTIVE**

Hereby, Razer (Europe) GmbH, declares that this Gaming Headset: RZ04-0398, USB Wireless Transceiver: RC30-0403 is in compliance with the essential requirements and other relevant provisions of Directive 2014/53/EU and 2015/865/EU.

### **Gaming Headset**

Radio Frequency: 2.4GHz SRD/Bluetooth  
Operating Frquency: 2402MHz - 2480MHz  
Max. Output Power: <12dBm

### **USB Wireless Transceiver:**

Radio Frequency: 2.4GHz SRD  
Operating Frquency: 2402MHz - 2480MHz  
Max. Output Power: <12dBm

The full Declaration of Conformity can be requested via the following:

Company: Razer (Europe) GmbH  
Address: Essener Bogen 23, 22419 Hamburg, Germany  
E-mail: [compliance@razer.com](mailto:compliance@razer.com)  
Internet address: [razer.com](http://razer.com)