

5th Jan 2021



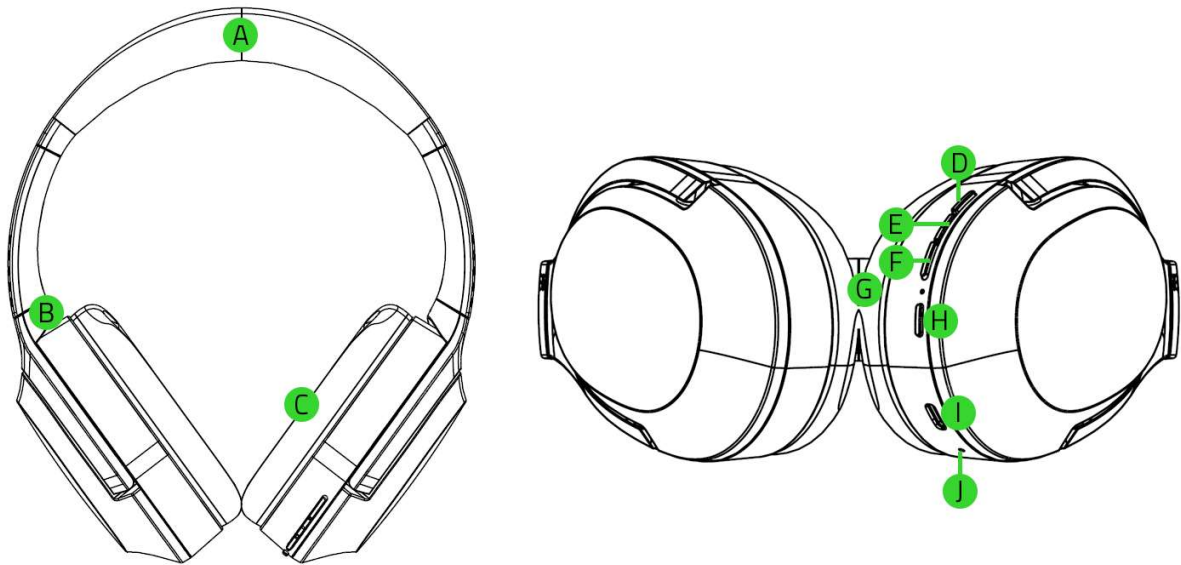
WIRELESS HEADSET
[MODEL #: RZ04-0376]

IMPORTANT PRODUCT INFORMATION GUIDE

WHAT'S INSIDE / WHAT'S NEEDED

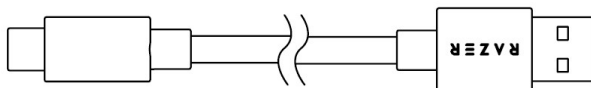
WHAT'S INSIDE

- WIRELESS HEADSET [MODEL #: RZ04-0376]



- A. Adjustable padded leatherette headband
- B. Rotatable circumaural ear cup design
- C. Plush leatherette memory foam ear cushions
- D. Volume up button
- E. Center / Multi-function button
- F. Volume down button
- G. Status indicator
- H. Power button
- I. Type C port
- J. Mic diaphragm

- Type C to Type A charging cable



WHAT'S NEEDED

PRODUCT REQUIREMENTS

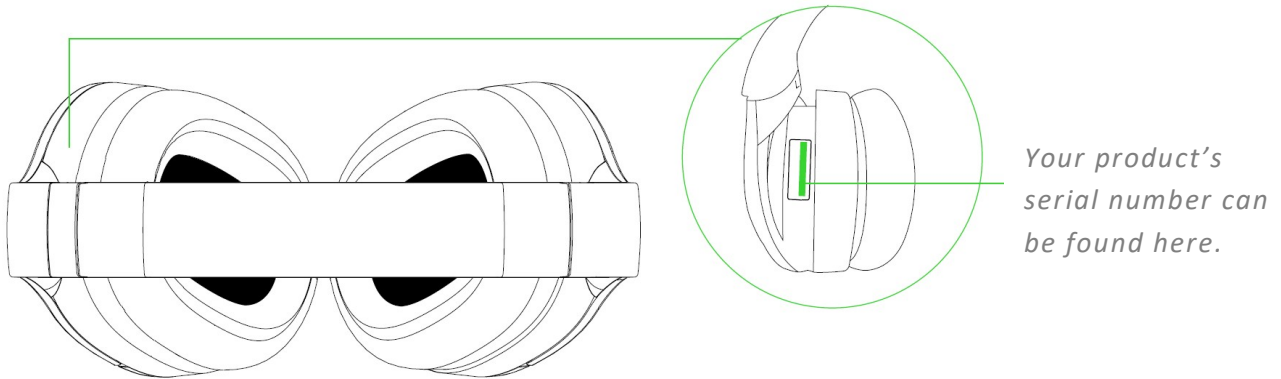
- Devices with Bluetooth connectivity

MOBILE APP REQUIREMENTS

- iOS or Android device with Bluetooth connectivity
- Internet connection for app installation

LET'S GET YOU COVERED

You've got a great device in your hands, complete with a 2-year limited warranty coverage. Now maximize its potential and score exclusive Razer benefits by registering at razerid.razer.com

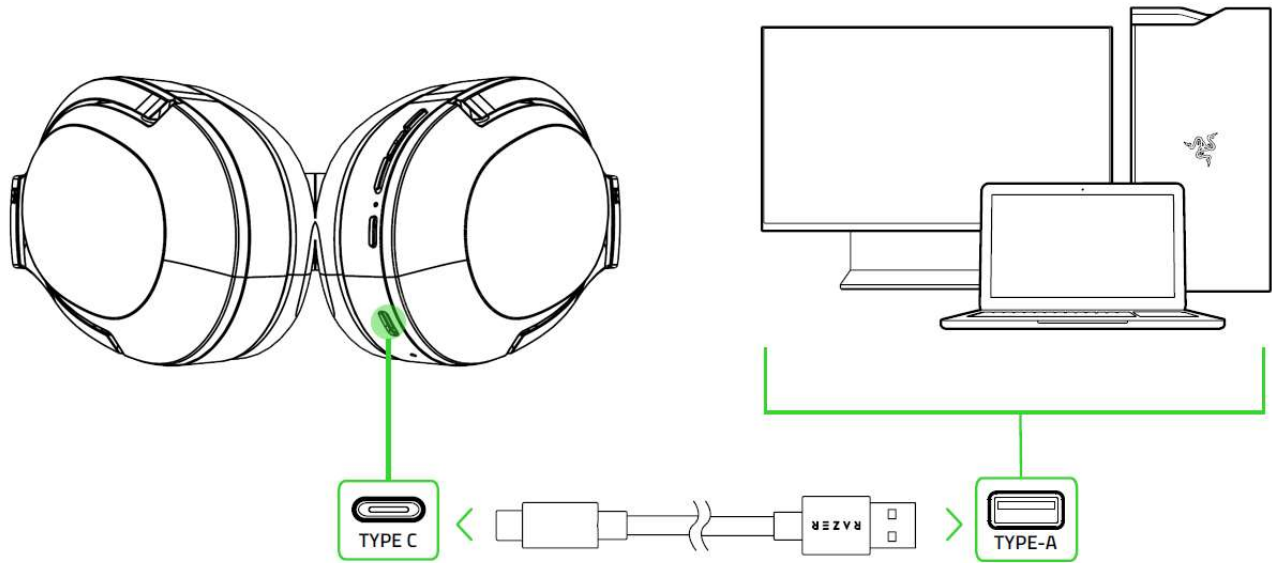


Got a question? Ask the Razer Support Team at support.razer.com



GETTING STARTED

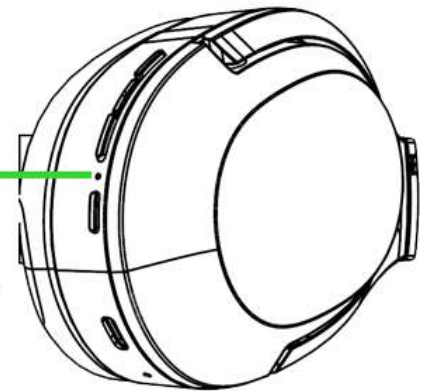
CHARGING YOUR HEADSET

Connect your RZ04-0376 directly to any Type A port using the charging cable. For best results, please fully charge your headset before using it for the first time. A depleted battery will fully charge in about 3.5 hours.



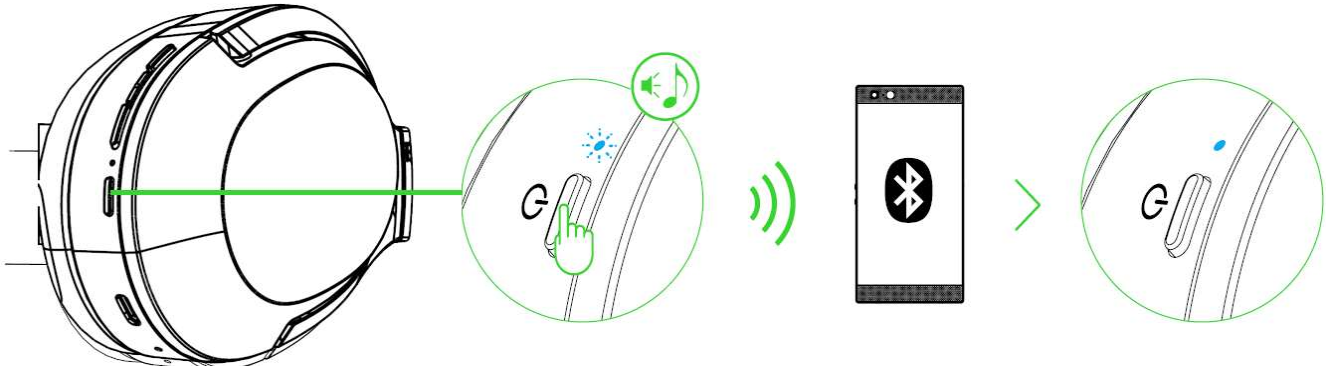
While charging, your RZ04-0376 will continuously show its battery level on the status indicator, as shown here:

STATUS INDICATOR	DESCRIPTION
	Charging
	Fully charged



CONNECTING TO YOUR HEADSET

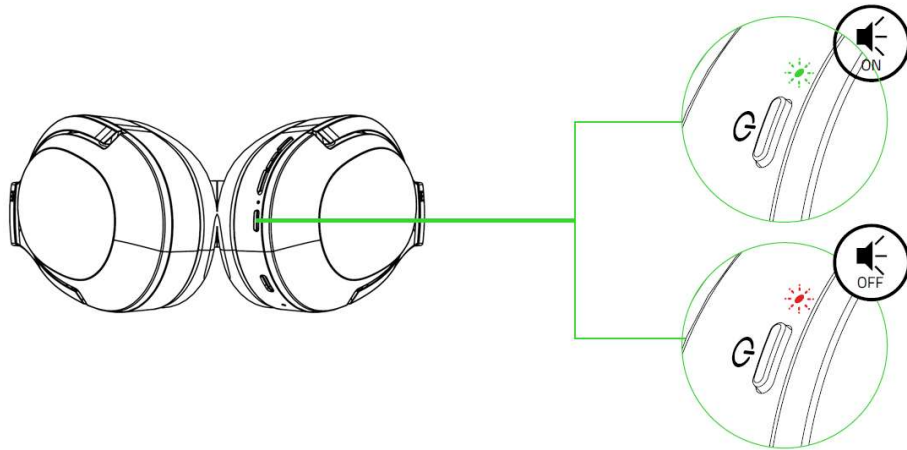
While powered off, press and hold the power button until the status indicator starts blinking blue. An audio prompt will notify you that your RZ04-0376 is searching for compatible Bluetooth devices. Follow your device's instructions to pair it with your RZ04-0376. Once the headset is paired, the status indicator will briefly change to static blue.



5. USING YOUR RZ04-0376




POWER ON/OFF

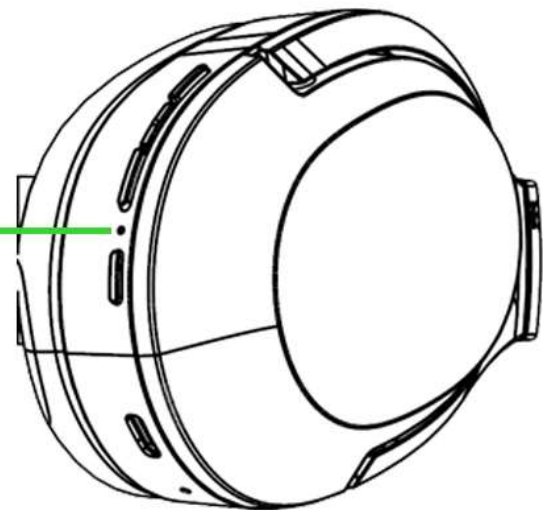
Press and hold the power button until the status indicator turns green to power on. Press and hold the power button again until the status indicator turns red to power off. An audio prompt will help notify you that your RZ04-0376 is powered on or off.



BATTERY LEVEL

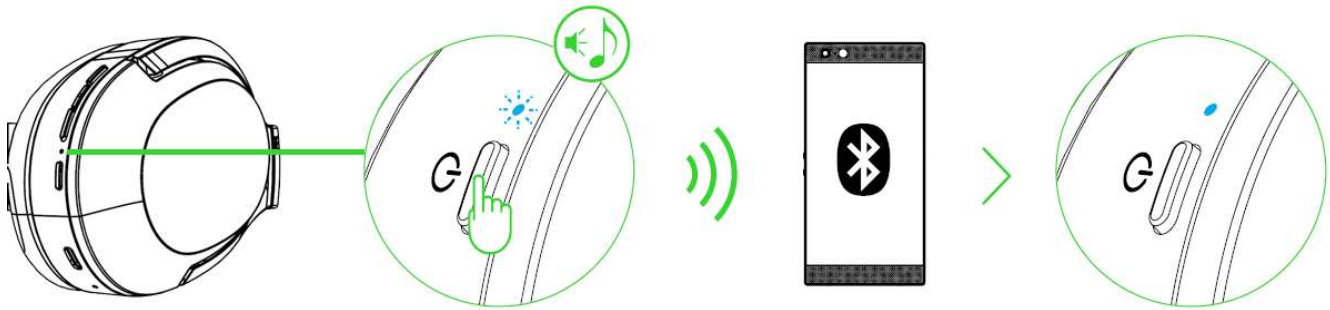
While unplugged, your RZ04-0376 will briefly show its battery level on the status indicator when you power on the headset. While in use, an audio prompt will be heard when the battery needs recharging.

STATUS INDICATOR	DESCRIPTION
	Battery sufficiently charged
	Battery low
	Battery critically low



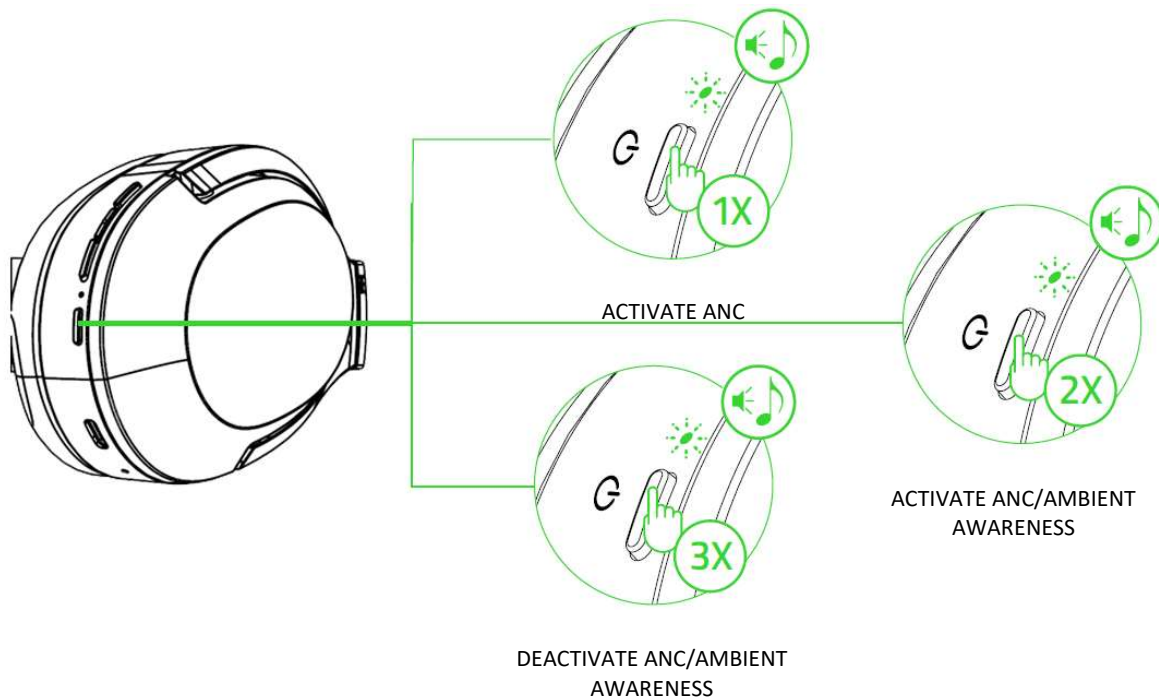
PAIRING MODE

Activate your headset's pairing mode if you want to pair it to a different device. While powered off, press and hold the power button until it powers on and enters pairing mode. An audio prompt will help notify you that your headset has been powered on and is now in pairing mode. Follow your device's instructions to pair it with your headset. Once paired, the status indicator will briefly change to static blue.



ACTIVE NOISE CANCELLATION (ANC) / AMBIENT AWARENESS

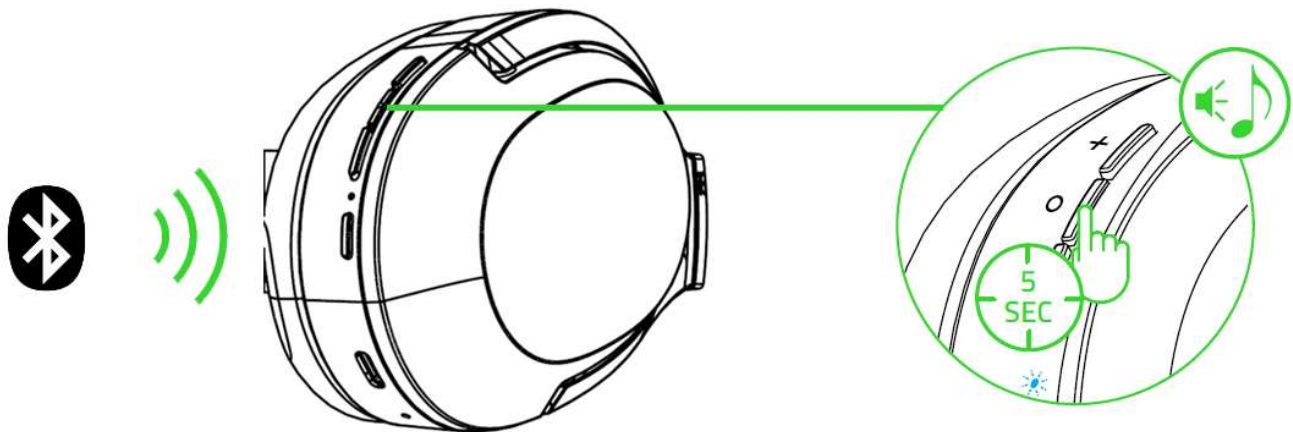
Active Noise Cancellation helps eliminate background noise while Ambient awareness allows you to hear your surroundings without needing to remove your headset. While powered on, press the Power button once to activate ANC, and twice to activate Ambient Awareness. Pressing the button again for the third time will deactivate both functions.



- i** An audio prompt will notify you when ANC and/or Ambient Awareness have been enabled or disabled. Active noise cancellation will work for both wired and wireless connection.

GAMING MODE

With Gaming Mode enabled, your headset will function at a lower latency; giving you real-time audio feedback while gaming. While connected via Bluetooth, press and hold the Center / Multi-function button for 5 seconds to activate or deactivate this function. The status indicator will briefly blink in blue and an audio prompt will notify you that this function has been enabled.

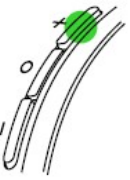
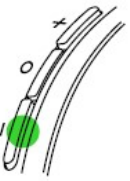
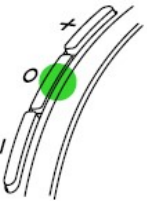


- i** For best performance, it is recommended to keep your headset within a very close distance of the audio source.

HEADSET CONTROLS

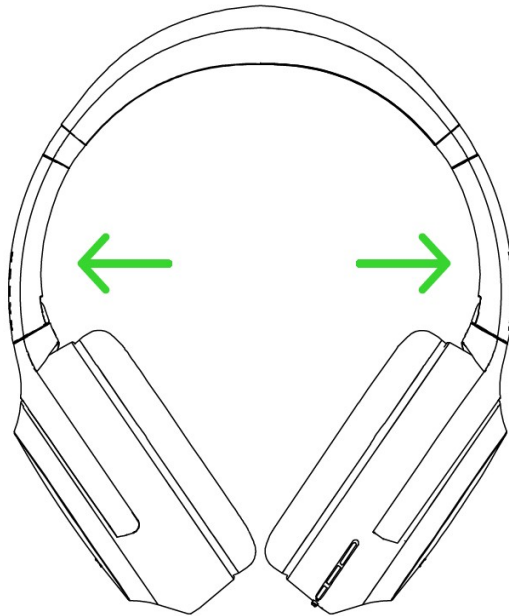
The following controls are available when connected to your device via Bluetooth. These controls operate based on your device's current activity.

i Some features listed here may not be applicable to certain devices.

	VOLUME UP BUTTON	
	Single press	Increase audio volume
	Press and hold	Continuously increase audio volume
	VOLUME DOWN BUTTON	
	Single press	Decrease audio volume
	Press and hold	Continuously decrease audio volume
	CENTER BUTTON / MULTI-FUNCTION BUTTON	
	Single press	Play/pause
		Accept incoming call or end current call
		Put call on-hold and accept incoming call
		End call and swap to on-hold call
	Press and hold for 2 seconds	Launch voice command
		Reject incoming call
		Swap calls
	Press and hold for 5 seconds	Enable / disable Gaming Mode
Double press	Skip track	
Triple press	Previous track	

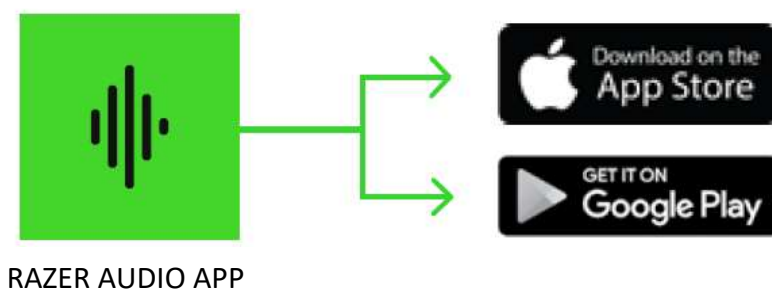
COMFORT

We recommend stretching the headset gently apart before placing them over your head to minimize headband stress. However, please avoid overstretching the headset beyond its technical limits.



RAZER AUDIO APP (FOR MOBILE DEVICES)

Making advanced customization just got a whole lot easier for your RZ04-0376. With the Razer Audio App, you'd be able to enable and customize your headset's auto shutoff settings, select an audio preset, and much more—anytime, anywhere.



1. Download the mobile app on your mobile device.
2. Launch the app and follow the onscreen instructions.

SAFETY AND MAINTENANCE

SAFETY GUIDELINES

In order to achieve maximum safety while using your RZ04-0376, we suggest that you adopt the following guidelines:

Should you have trouble operating the device properly and troubleshooting does not work, unplug the device and contact the Razer hotline or go to support.razer.com for assistance.

Do not take apart the device (doing so will void your warranty) and do not attempt to operate it under abnormal current loads.

Keep the device away from liquid, humidity or moisture. Operate the device only within the specific temperature range of 0°C (32°F) to 40°C (104°F). Should the temperature exceed this range, unplug and/or switch off the device in order to let the temperature stabilize to an optimal level.

The device isolates external ambient sounds even at low volumes, resulting in lowered awareness of your external surroundings. Please remove the device when engaging in any activities that requires active awareness of your surroundings.

Listening to excessively loud volumes over extended periods of time can damage your hearing. Furthermore, legislation of certain countries permits a maximum sound level of 86db to affect your hearing for 8 hours a day. We therefore recommend that you reduce the volume to a comfortable level when listening for prolonged periods of time. Please, take good care of your hearing.

MAINTENANCE AND USE

The RZ04-0376 requires minimum maintenance to keep it in optimum condition. Once a month we recommend you clean it using a soft cloth or cotton swab to prevent dirt buildup. Do not use soap or harsh cleaning agents.

BATTERY WARNING

The RZ04-0376 contains a Li-ion rechargeable battery. In general, the life expectancy of such batteries is dependent upon usage. If you suspect that the Li-ion rechargeable battery inside the RZ04-0376 may be drained (has a low charge), try charging it.

Caution: Do not open, mutilate, or expose to conducting materials (metal), moisture, liquid, fire, or heat. Doing so may cause batteries to leak or explode, resulting in personal injury. Battery life varies with usage.

LEGALESE

COPYRIGHT AND INTELLECTUAL PROPERTY INFORMATION

©2021 Razer Inc. All rights reserved. Razer, the triple-headed snake logo, Razer logo, and “For Gamers. By Gamers.” are trademarks or registered trademarks of Razer Inc. and/or affiliated companies in the United States or other countries. All other trademarks are the property of their respective owners.

©2018 Google LLC, used with permission. Android, Google, Google logo, and Google Play™ are trademarks of Google LLC.

Apple, the Apple logo, and iPhone are trademarks of Apple Inc., registered in the U.S. and other countries. App Store is a service mark of Apple Inc. iOS is a trademark or registered trademark of Cisco in the U.S. and other countries and is used under license.

The Bluetooth® word mark and logos are registered trademarks owned by Bluetooth SIG, Inc., and any use of such marks by Razer is under license.

Windows and the Windows logo are trademarks or registered trademarks of the Microsoft group of companies.

Razer Inc. (“Razer”) may have copyright, trademarks, trade secrets, patents, patent applications, or other intellectual property rights (whether registered or unregistered) concerning the product in this guide. Furnishing of this guide does not give you a license to any such copyright, trademark, patent or other intellectual property right. The RZ04-0376 (the “Product”) may differ from pictures whether on packaging or otherwise. Razer assumes no responsibility for such differences or for any errors that may appear. Information contained herein is subject to change without notice.

LIMITED PRODUCT WARRANTY

For the latest and current terms of the Limited Product Warranty, please visit [razer.com/warranty](https://www.razer.com/warranty).

LIMITATION OF LIABILITY

Razer shall in no event be liable for any lost profits, loss of information or data, special, incidental, indirect, punitive or consequential or incidental damages, arising in any way out of distribution of, sale of, resale of, use of, or inability to use the Product. In no event shall Razer's liability exceed the retail purchase price of the Product.

GENERAL

These terms shall be governed by and construed under the laws of the jurisdiction in which the Product was purchased. If any term herein is held to be invalid or unenforceable, then such term (in so far as it is invalid or unenforceable) shall be given no effect and deemed to be excluded without invalidating any of the remaining terms. Razer reserves the right to amend any term at any time without notice.

FCC NOTICE

This equipment has been tested and found to comply with the limits for a Class B digital device, pursuant to part 15 of the FCC Rules. These limits are designed to provide reasonable protection against harmful interference in a residential installation. This equipment generates, uses and can radiate radio frequency energy and, if not installed and used in accordance with the instructions, may cause harmful interference to radio communications. However, there is no guarantee that interference will not occur in a particular installation. If this equipment does cause harmful interference to radio or television reception, which can be determined by turning the equipment off and on, the user is encouraged to try to correct the interference by one or more of the following measures:

- Reorient or relocate the receiving antenna.
- Increase the separation between the equipment and the receiver.
- Connect the equipment into an outlet on a circuit different from that to which the receiver is connected.
- Consult the dealer or an experienced radio TV technician for help.

For more information, refer to the online help system on razer.com

FCC Caution Statement

This device complies with Part 15 of the FCC Rules.

Operation is subject to the following two conditions:

- (1) This device may not cause harmful interference, and
- (2) This device must accept any interference received, including interference that may cause undesired operation.

Any changes or modifications not expressly approved by the party responsible for compliance could void the user's authority to operate this equipment.

IMPORTANT NOTE:

FCC Radiation Exposure Statement:

This equipment complies with FCC radiation exposure limits set forth for an uncontrolled environment. End users must follow the specific operating instructions for satisfying RF exposure compliance. This transmitter must not be co-located or operating in conjunction with any other antenna or transmitter.

NOTICE FOR CANADA

This Class B digital apparatus complies with Canadian ICES-003.

Cet appareil numérique de la classe B est conforme à la norme NMB-003 du Canada.

CANADIAN SAR

This transmitter must not be co-located or operating in conjunction with any other antenna or Transmitter. This equipment should be installed and operated with a minimum distance of 0 mm between the radiator and your body.

Cet émetteur ne doit pas être Co-placé ou ne fonctionnant en même temps qu'aucune autre antenne ou émetteur. Cet équipement devrait être installé et actionné avec une distance minimum de 0 mm entre le radiateur et votre corps.

CANADA CLASS B STATEMENT

This device contains licence-exempt transmitter(s)/receiver(s) that comply with Innovation, Science and Economic Development Canada's licence-exempt RSS(s).

Operation is subject to the following two conditions:

- (1) This device may not cause interference.
- (2) This device must accept any interference, including interference that may cause undesired operation of the device.

L'émetteur/récepteur exempt de licence contenu dans le présent appareil est conforme aux CNR d'Innovation, Sciences et Développement économique Canada applicables aux appareils radio exempts de licence. L'exploitation est autorisée aux deux conditions suivantes :

- (1) L'appareil ne doit pas produire de brouillage;
- (2) L'appareil doit accepter tout brouillage radioélectrique subi, même si le brouillage est susceptible d'en compromettre le fonctionnement.