

3rd Aug 2020



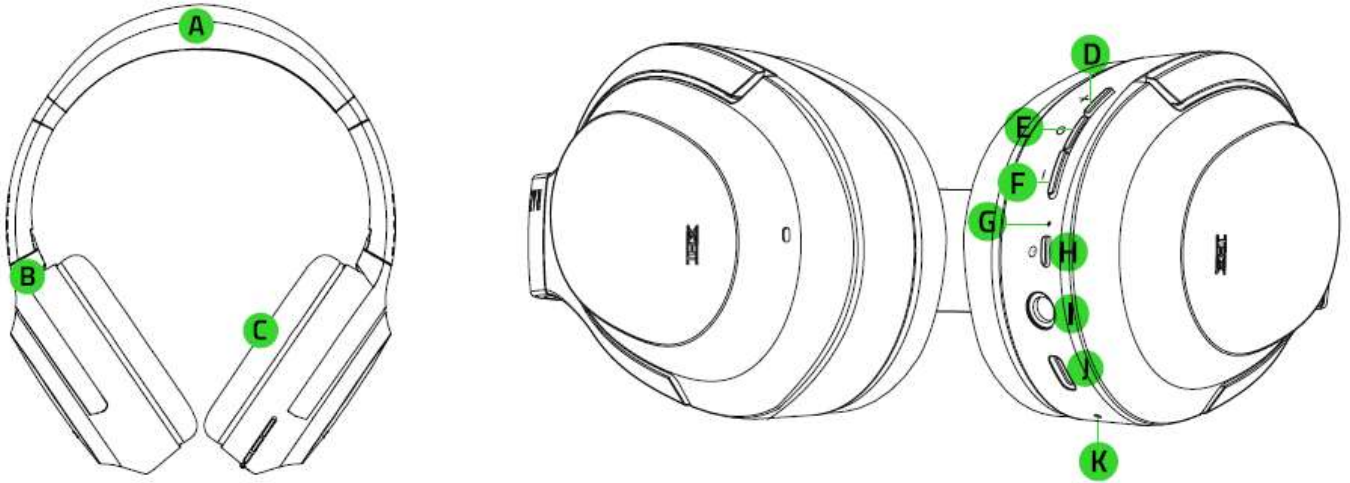
USER MANUAL FOR WIRELESS HEADSET
(MODEL #: RZ04-0343)

IMPORTANT PRODUCT INFORMATION GUIDE

WHAT'S INSIDE / WHAT'S NEEDED

WHAT'S INSIDE

- WIRELESS HEADSET (MODEL #: RZ04-0343)

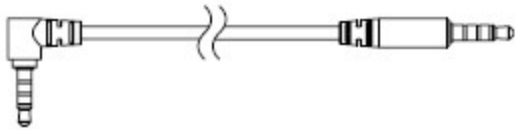


- A. Adjustable padded leatherette headband
- B. Rotatable circumaural ear cup design
- C. Plush leatherette memory foam ear cushions
- D. Volume up button
- E. Center / Multi-function button
- F. Volume down button
- G. Status indicator
- H. Power button
- I. 3.5 mm audio socket
- J. Type C port
- K. Mic diaphragm

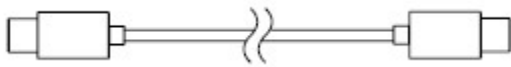
- Premium carry case



- 3.5mm audio cable



- Type C to Type A charging cable



- Airline headphone adapter



WHAT'S NEEDED

PRODUCT REQUIREMENTS

- [Wireless mode] Devices with Bluetooth connectivity
- [Wired mode] Devices with a 3.5 mm headphone socket

MOBILE APP REQUIREMENTS

- iOS or Android device with Bluetooth connectivity
- Internet connection for app installation

LET'S GET YOU COVERED

You've got a great device in your hands, complete with a 2-year limited warranty coverage. Now maximize its potential and score exclusive Razer benefits by registering at razerid.razer.com

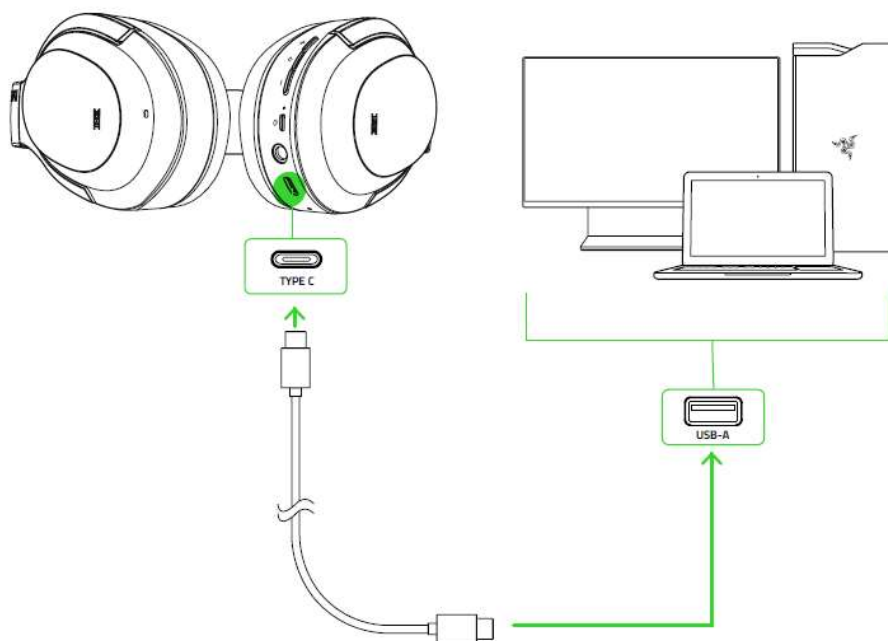
*Your product's serial
number can be found here.*

Got a question? Ask the Razer Support Team at support.razer.com

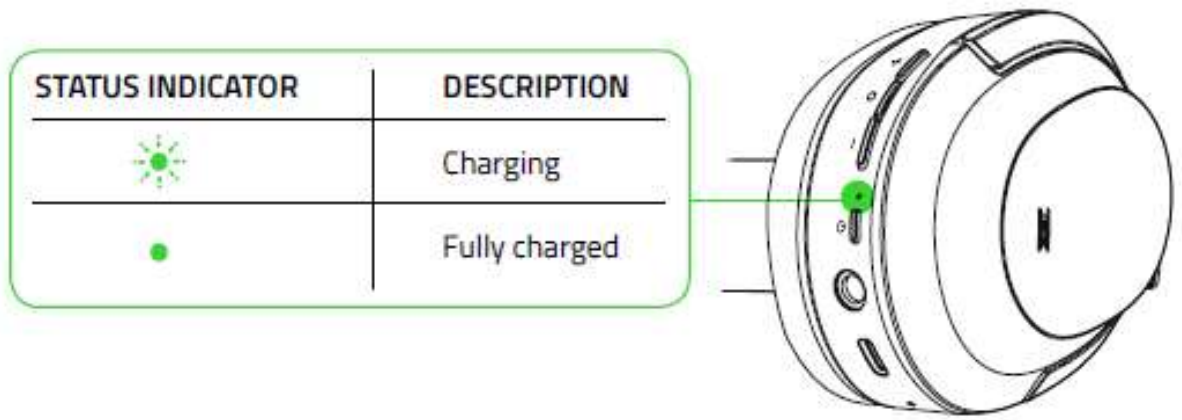
GETTING STARTED

CHARGING YOUR HEADSET

Connect your RZ04-0343 directly to any Type A port using the charging cable. For best results, please fully charge your headset before using it for the first time. A depleted battery will fully charge in about 3.5 hours.

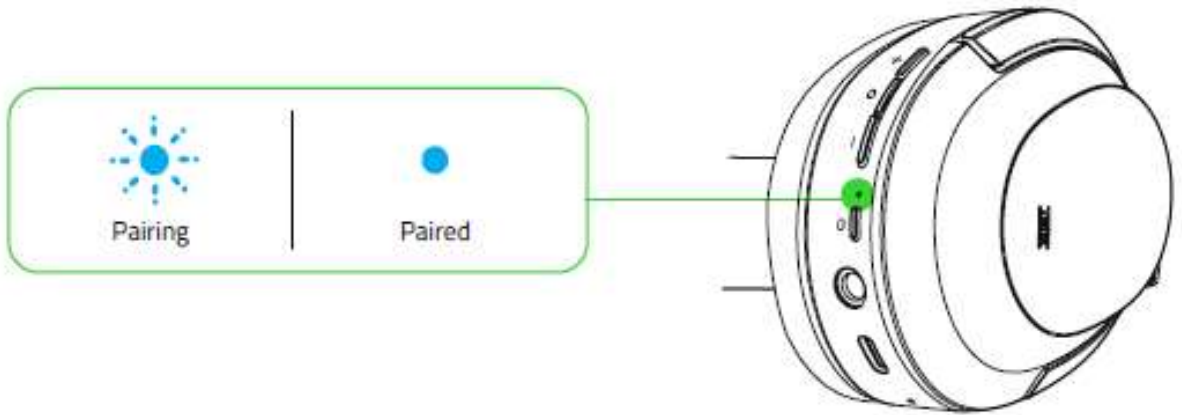


While charging, your RZ04-0343 will continuously show its battery level on the status indicator, as shown here:



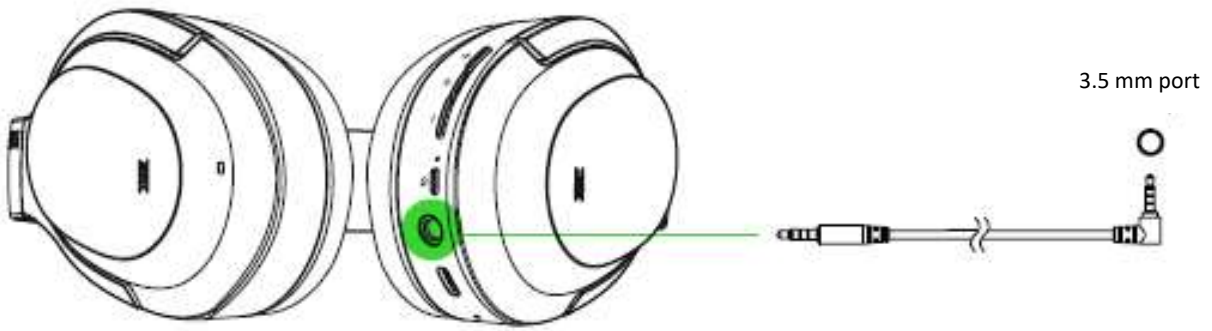
WIRELESS MODE

While powered off, press and hold the power button until the status indicator starts blinking blue. An audio prompt will notify you that your RZ04-0343 is searching for compatible Bluetooth devices. Follow your device’s instructions to pair it with your RZ04-0343. Once the headset is paired, the status indicator will briefly change to static blue.



WIRED MODE

Connect your RZ04-0343 to any 3.5mm audio socket using the provided 3.5mm audio cable. You can also use the airline headphone adapter along with the 3.5mm audio cable for in-flight audio jacks. As long as your headset is powered on, you can still use ANC and Ambient Awareness in wired mode.

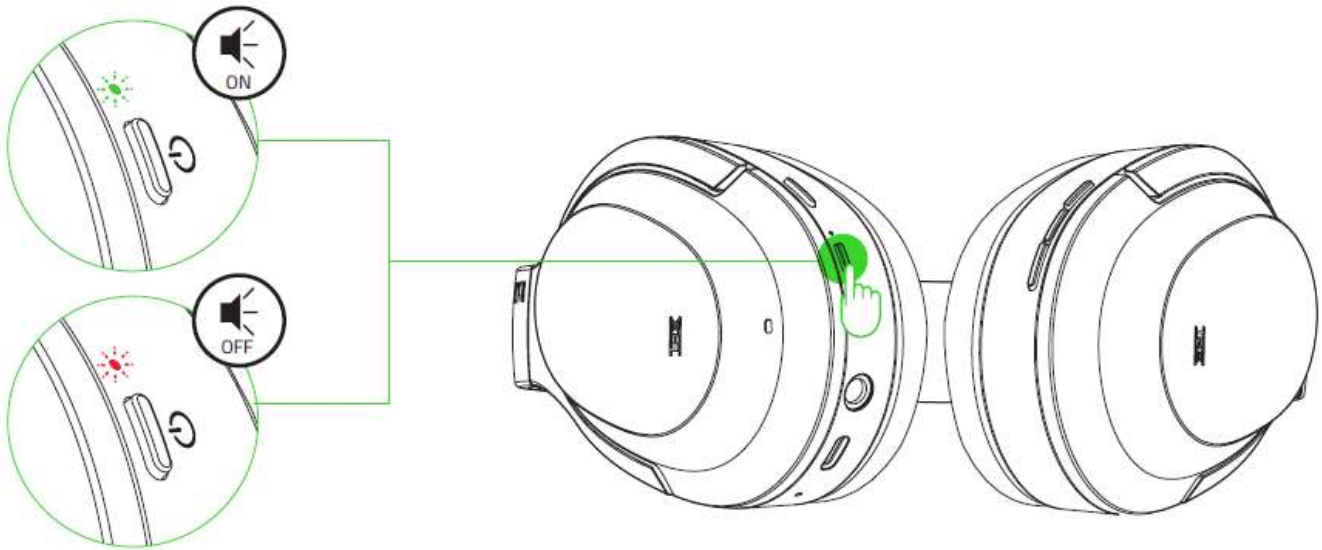


CAUTION: Do not plug the airline headphone adapter into a power outlet. Doing so may void your warranty.

USING YOUR RZ04-0343

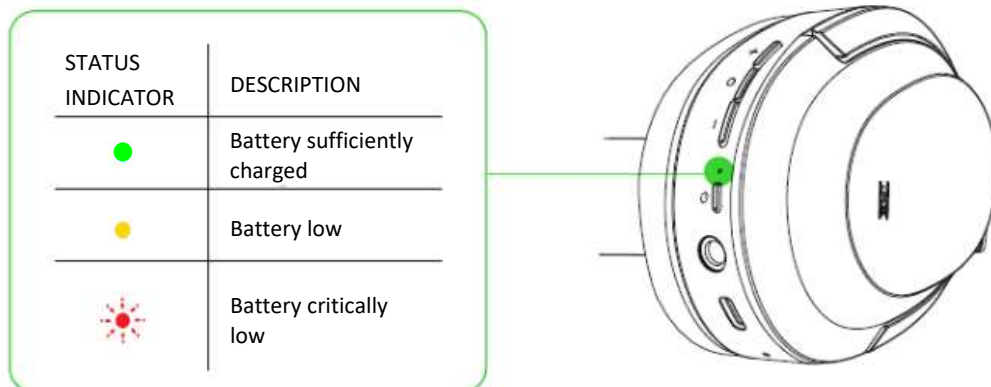
POWER ON/OFF

Press and hold the power button until the status indicator turns green to power on. Press and hold the power button again until the status indicator turns red to power off. An audio prompt will help notify you that your RZ04-0343 is powered on or off.



BATTERY LEVEL

While unplugged, your RZ04-0343 will briefly show its battery level on the status indicator when you power on the headset. While in use, an audio prompt will be heard when the battery needs recharging.



ACTIVE NOISE CANCELLATION (ANC) / AMBIENT AWARENESS

Active Noise Cancellation helps eliminate background noise while Ambient awareness allows you to hear your surroundings without needing to remove your headset. While powered on, press the Center / Multi-function button once to activate ANC, and twice to activate Ambient Awareness. Pressing the button again for the third time will deactivate both functions.

An audio prompt will notify you when ANC and/or Ambient Awareness have been enabled or disabled. Active noise cancellation will work for both wired and wireless connection.

GAMING MODE


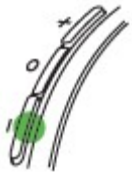
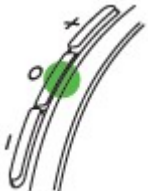
With Gaming Mode enabled, your headset will function at a lower latency; giving you real-time audio feedback while gaming. While connected via Bluetooth, press and hold the Center / Multi-function button for 5 seconds to activate or deactivate this function. The status indicator will briefly blink in blue and an audio prompt will notify you that this function has been enabled.

For best performance, it is recommended to keep your headset within a very close distance of the audio source.

HEADSET CONTROLS

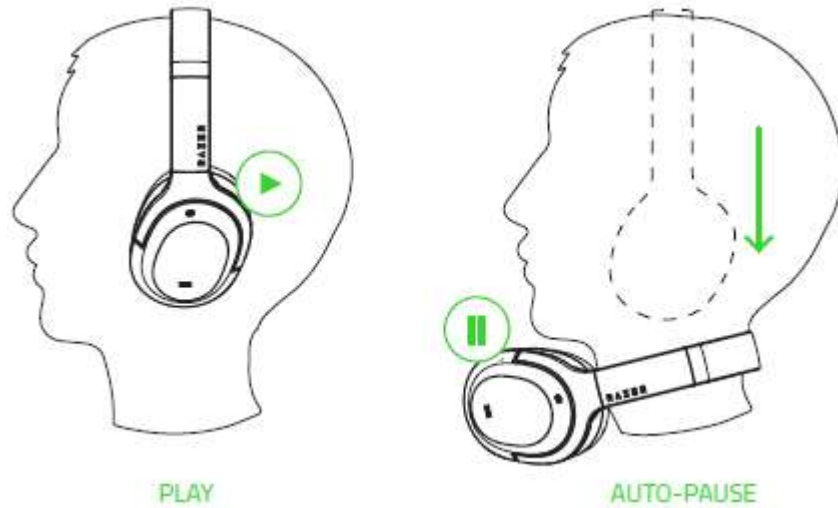
The following controls are available when connected to your device via Bluetooth. These controls operate based on your device's current activity.

Some features listed here may not be applicable to certain devices.

	VOLUME UP BUTTON	
	Single press	Increase audio volume
	Press and hold	Continuously increase audio volume
	VOLUME DOWN BUTTON	
	Single press	Decrease audio volume
	Press and hold	Continuously decrease audio volume
	CENTER BUTTON / MULTI-FUNCTION BUTTON	
	Single press	Play/pause
		Accept incoming call or end current call
		Put call on-hold and accept incoming call
		End call and swap to on-hold call
	Press and hold for 2 seconds	Launch voice command
		Reject incoming call
		Swap calls
	Press and hold for 5 seconds	Enable / disable Gaming Mode
Double press	Skip track	
Triple press	Previous track	

AUTO-PAUSE

When your RZ04-0343 is removed from your ears, it will automatically pause the audio being played. Auto-pause is enabled by default and you can change this setting using the mobile app.



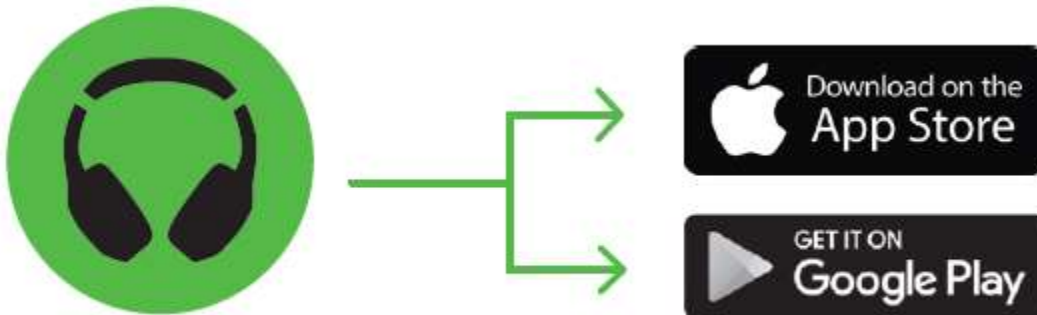
COMFORT

We recommend stretching the headset gently apart before placing them over your head to minimize headband stress. However, please avoid overstretching the headset beyond its technical limits.



DOWNLOAD THE APP

Making advanced customization just got a whole lot easier for your RZ04-0343. With its own mobile app, you can select THX or other equalizer presets, and much more—anytime, anywhere.



1. Download the mobile app on your mobile device.
2. Launch the app and follow the onscreen instructions.

Find out more about your premium wireless headset at support.razer.com.

SAFETY AND MAINTENANCE

SAFETY GUIDELINES

In order to achieve maximum safety while using your RZ04-0343, we suggest that you adopt the following guidelines:

Should you have trouble operating the device properly and troubleshooting does not work, unplug the device and contact the Razer hotline or go to support.razer.com for assistance.

Do not take apart the device (doing so will void your warranty) and do not attempt to operate it under abnormal current loads.

Keep the device away from liquid, humidity or moisture. Operate the device only within the specific temperature range of 0°C (32°F) to 40°C (104°F). Should the temperature exceed this range, unplug and/or switch off the device in order to let the temperature stabilize to an optimal level.

The device isolates external ambient sounds even at low volumes, resulting in lowered awareness of your external surroundings. Please remove the device when engaging in any activities that requires active awareness of your surroundings.

Listening to excessively loud volumes over extended periods of time can damage your hearing. Furthermore, legislation of certain countries permits a maximum sound level of 86db to affect your hearing for 8 hours a day. We therefore recommend that you reduce the volume to a comfortable level when listening for prolonged periods of time. Please, take good care of your hearing.

MAINTENANCE AND USE

The RZ04-0343 requires minimum maintenance to keep it in optimum condition. Once a month we recommend you clean it using a soft cloth or cotton swab to prevent dirt buildup. Do not use soap or harsh cleaning agents.

BATTERY WARNING

The RZ04-0343 contains a Li-ion rechargeable battery. In general, the life expectancy of such batteries is dependent upon usage. If you suspect that the Li-ion rechargeable battery inside the RZ04-0343 may be drained (has a low charge), try charging it.

Caution: Do not open, mutilate, or expose to conducting materials (metal), moisture, liquid, fire, or heat. Doing so may cause batteries to leak or explode, resulting in personal injury. extended periods. Battery life varies with usage.

FCC NOTICE

This equipment has been tested and found to comply with the limits for a Class B digital device, pursuant to part 15 of the FCC Rules. These limits are designed to provide reasonable protection against harmful interference in a residential installation. This equipment generates, uses and can radiate radio frequency energy and, if not installed and used in accordance with the instructions, may cause harmful interference to radio communications. However, there is no guarantee that interference will not occur in a particular installation. If this equipment does cause harmful interference to radio or television reception, which can be determined by turning the equipment off and on, the user is encouraged to try to correct the interference by one or more of the following measures:

- Reorient or relocate the receiving antenna.
- Increase the separation between the equipment and the receiver.
- Connect the equipment into an outlet on a circuit different from that to which the receiver is connected.
- Consult the dealer or an experienced radio TV technician for help.

For more information, refer to the online help system on **razer.com**

FCC Caution Statement

This device complies with Part 15 of the FCC Rules.

Operation is subject to the following two conditions:

- (1) This device may not cause harmful interference, and
- (2) This device must accept any interference received, including interference that may cause undesired operation.

Any changes or modifications not expressly approved by the party responsible for compliance could void the user's authority to operate this equipment.

IMPORTANT NOTE:

FCC Radiation Exposure Statement:

This equipment complies with FCC radiation exposure limits set forth for an uncontrolled environment. End users must follow the specific operating instructions for satisfying RF exposure compliance. This transmitter must not be co-located or operating in conjunction with any other antenna or transmitter.

NOTICE FOR CANADA

This Class B digital apparatus complies with Canadian ICES-003.

Cet appareil numérique de la classe B est conforme à la norme NMB-003 du Canada.

CANADIAN SAR

This transmitter must not be co-located or operating in conjunction with any other antenna or Transmitter. This equipment should be installed and operated with a minimum distance of 0 mm between the radiator and your body.

Cet émetteur ne doit pas être Co-place ou ne fonctionnant en même temps qu'aucune autre antenne ou émetteur. Cet équipement devrait être installé et actionné avec une distance minimum de 0 mm entre le radiateur et votre corps.

CANADA CLASS B STATEMENT

This device contains licence-exempt transmitter(s)/receiver(s) that comply with Innovation, Science and Economic Development Canada's licence-exempt RSS(s). Operation is subject to the following two conditions:

- (1) This device may not cause interference.
- (2) This device must accept any interference, including interference that may cause undesired operation of the device.

L'émetteur/récepteur exempt de licence contenu dans le présent appareil est conforme aux CNR d'Innovation, Sciences et Développement économique Canada applicables aux appareils radio exempts de licence. L'exploitation est autorisée aux deux conditions suivantes :

- (1) L'appareil ne doit pas produire de brouillage;
- (2) L'appareil doit accepter tout brouillage radioélectrique subi, même si le brouillage est susceptible d'en compromettre le fonctionnement.



STATEMENT OF COMPLIANCE WITH EU DIRECTIVE

Hereby, Razer (Europe) GmbH, declares that this RZ04-0343 is in compliance with the essential requirements and other relevant provisions of Directive 2014/53/EU and 2015/863/EU

Wireless headset:

Radio Frequency: Bluetooth

Operating Frequency: 2400-2483.5 MHz

Max Output power: ≤12 dBm

SW version: 1.0

The full Declaration of Conformity can be requested via the following:

Company: Razer (Europe) GmbH

Address: Essener Bogen 23, 22419 Hamburg, Germany

E-mail: compliance@razer.com

Internet address: razer.com