

Date: 25 Sep. 19

Product Manual
for
Gaming Headset
Model: RZ04-0291

Heighten your senses with dynamic haptic feedback. Razer HyperSense produces vibrations that flow in the direction of different sounds, with varying intensities, making you hyper aware in your game. The smallest details will never escape you, and you'll never fall for an ambush again.

CONTENTS

1. WHAT'S INSIDE / WHAT'S NEEDED.....	3
2. LET'S GET YOU COVERED.....	4
3. TECHNICAL SPECIFICATIONS.....	5
4. EXPLORING YOUR HEADSET.....	7
5. SETTING UP YOUR RAZER NARI ULTIMATE FOR XBOX ONE.....	4
6. USING YOUR RAZER NARI ULTIMATE FOR XBOX ONE.....	8
7. SAFETY AND MAINTENANCE.....	14
8. LEGALESE.....	15

1. WHAT'S INSIDE / WHAT'S NEEDED

WHAT'S INSIDE

- Gaming Headset (model: RZ04-0291)
- 3 m Charging cable
- Important Product Information Guide

WHAT'S NEEDED

- Xbox One / Xbox One S / Xbox One X
- PC (Windows 10 or higher)*

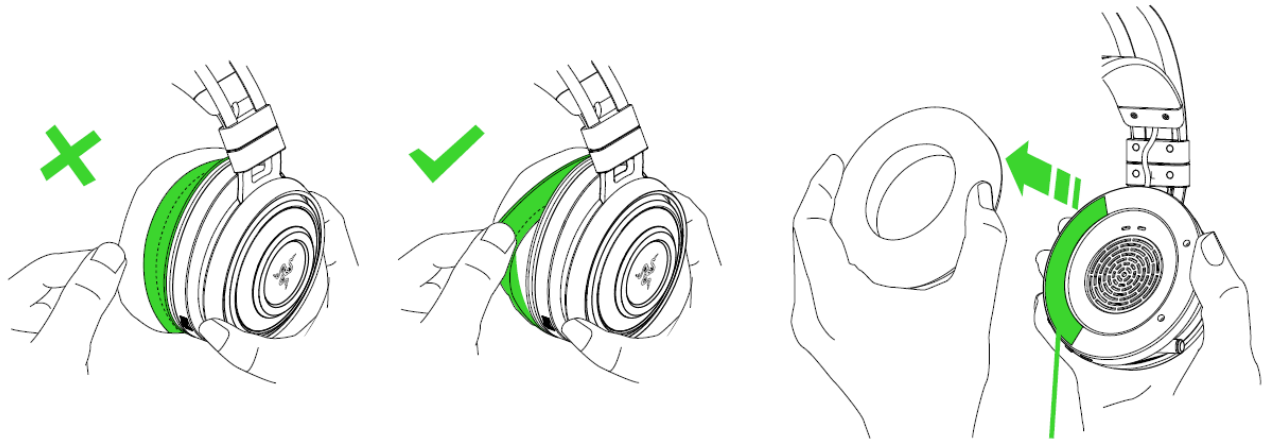
**May require Xbox Wireless Adapter for Windows 10 (not included)*

SAFETY STATEMENT

IMPORTANT! Before using the Xbox One with this product, read the Xbox One instruction manual for safety, health, and other information regarding the use of the Xbox One.

2. LET'S GET YOU COVERED

You've got a great device in your hands, complete with a 2-year limited warranty coverage. Now maximize its potential and score exclusive Razer benefits by registering at razerid.razer.com



Your product's serial number can be found underneath the ear cushion, as shown here.

Got a question? Ask the Razer Support Team at support.razer.com

3. TECHNICAL SPECIFICATIONS

AT-A-GLANCE

- Razer HyperSense with Intensity Adjuster
- Direct Xbox One Wireless Connectivity
- Cooling Gel-Infused Cushions
- Auto-Adjusting Headband with Swiveling Earcups
- Game/Chat Balance

HEADPHONES

- Frequency response: 20 Hz – 20 kHz
- Impedance: 32 Ω at 1 kHz
- Sensitivity: 108 dB
- Drivers: 50 mm, with Neodymium magnets
- Inner ear cup diameter: Width 56 mm / Length 67 mm
- Oval ear cushions: Designed for full-ear coverage with cooling gel, perfect for long-wearing comfort
- Connection type: Direct to Xbox / Via Xbox Wireless Adapter for Windows 10
- Wireless range: 10 m / 30 ft
- Wireless frequency: 2.4 GHz / 5 GHz
- Battery life: 6 hours with lighting and HyperSense / 20 hours without HyperSense

MICROPHONE

- Frequency response: 100 Hz – 10 kHz
- Signal-to-noise ratio: ≥ 60 dB
- Sensitivity (@1 kHz): -54 ± 3 dB
- Pick-up pattern: Unidirectional

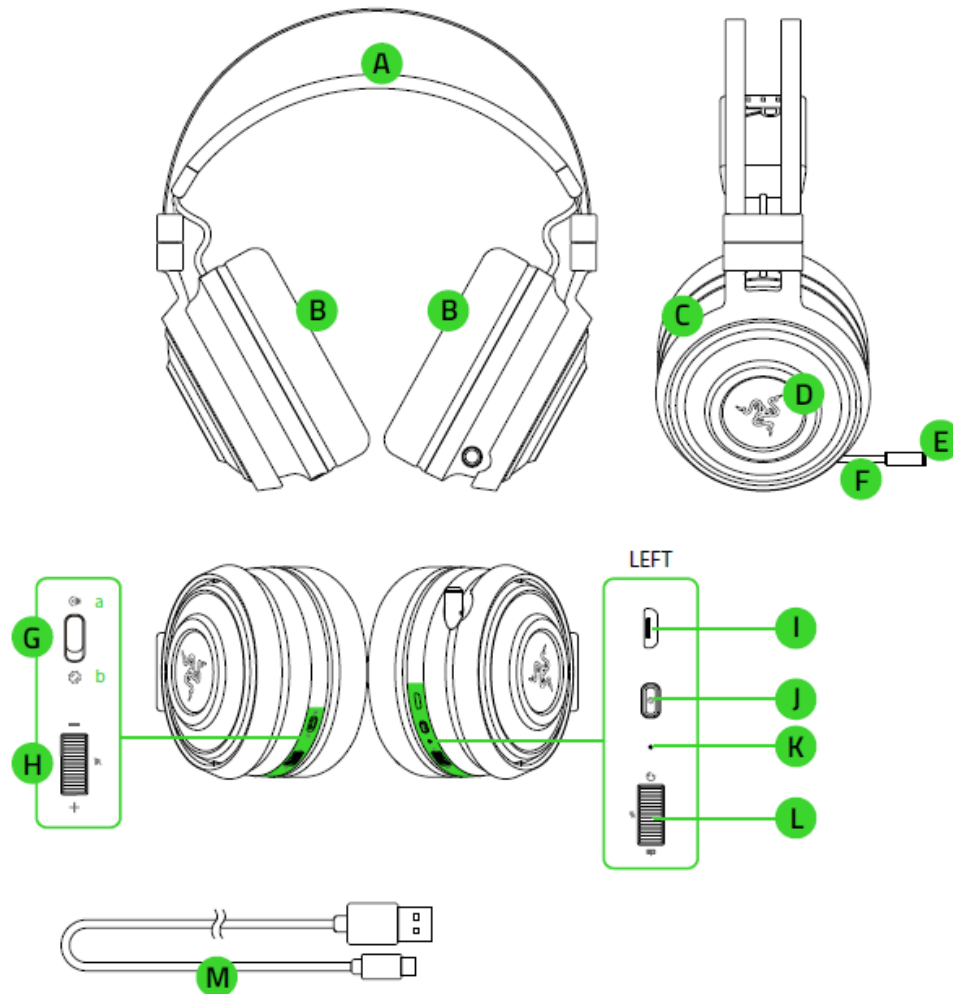
LOFELT HAPTIC DRIVERS

- 1 in each ear cup
- Frequency Response: 20 – 200 Hz
- Maximum Generated Force: 4.3 G

COMPATIBILITY

- Wireless: Direct to Xbox One, PC with Microsoft Wireless Adapter for Windows 10

4. EXPLORING YOUR HEADSET

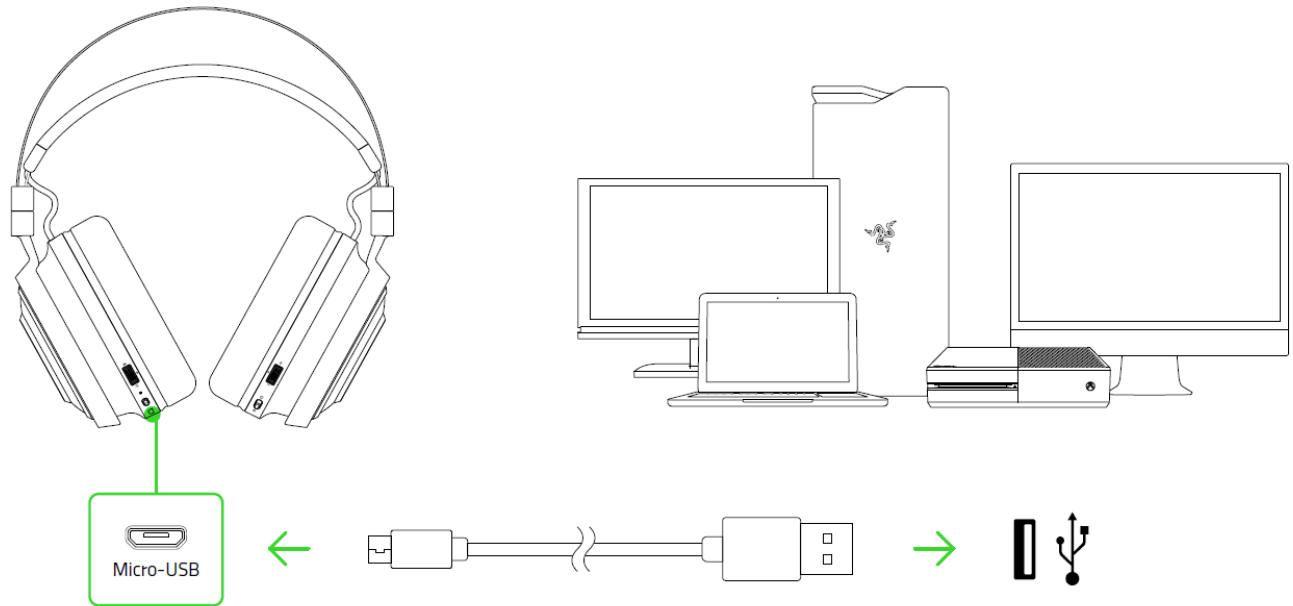


- A. Auto-adjusting headband
- B. Cooling gel-infused ear cushions
- C. 50mm drivers with HyperSense Technology
- D. Razer logo backlighting
- E. Mic mute indicator
- F. Retractable mic
- G. Slider switch
 - a. HyperSense Intensity
 - b. Audio volume
- H. Intensity / volume control
- I. Charging port
- J. Power button
- K. Status indicator
- L. Game/Chat balance
- M. Charging cable

5. SETTING UP YOUR RAZER NARI ULTIMATE FOR XBOX ONE

CHARGING YOUR HEADSET

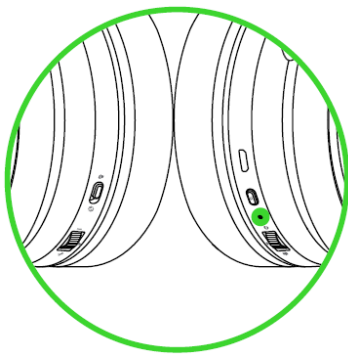
Connect your Razer Nari Ultimate for Xbox One to a powered USB port using the charging cable.















For best results, please fully charge the headset before using it for the first time. A depleted unit will fully charge in about **4 hours**.

Understanding the Status Indicator

The status indicator on the headset will send out notifications depending on its current battery or charging status.

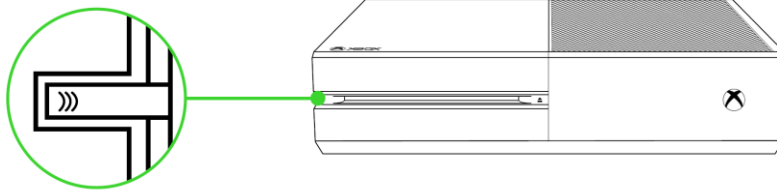


LED NOTIFICATION	SOUND	STATUS
Static red 	None 	Charging 
Static green 	None 	Fully charged 
Slow blinking red 	Warning tone 	Battery is low (25%) 
Rapid blinking red 	Warning tone 	Battery is critically low (10%) 

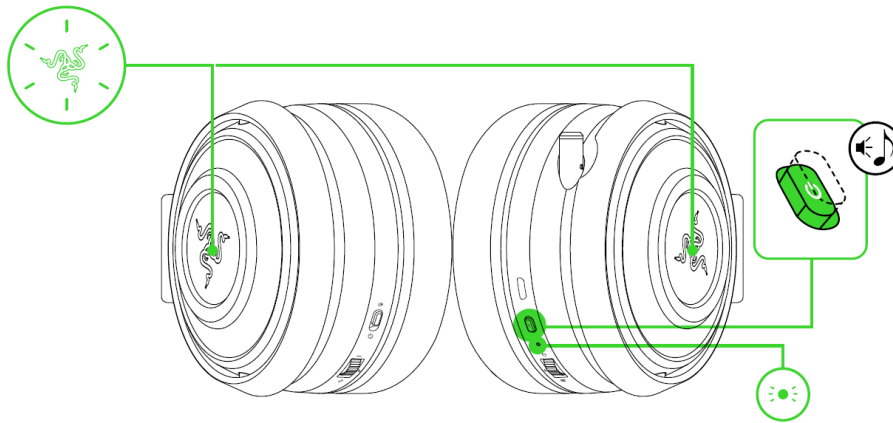
PAIRING YOUR HEADSET TO YOUR XBOX ONEZ

i Make sure to power on your Xbox One and log into your Xbox Live account before connecting your Razer Nari Ultimate for Xbox One.

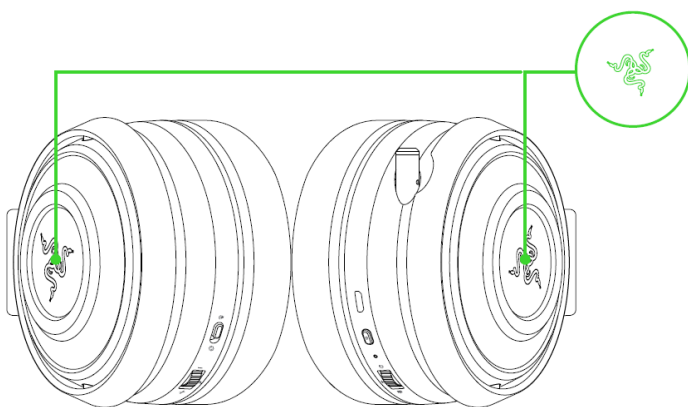
1. Press the connect button on your console.






2. While in power off state, press and hold the headset power button until the Razer logo starts blinking rapidly.



3. Wait until the Razer logo becomes static green to notify that the headset is paired.

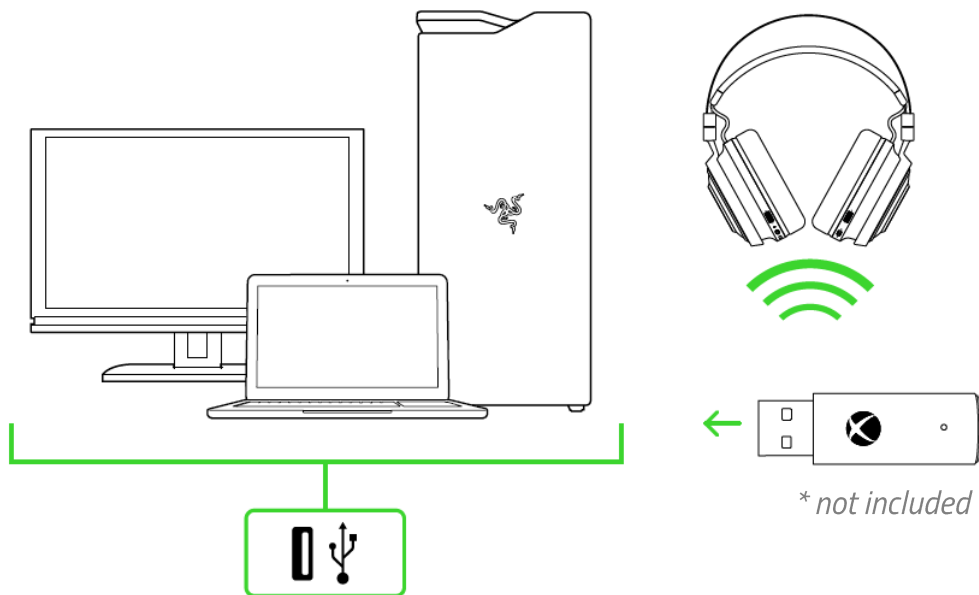


NOTIFICATION	STATUS
Blinking slowly 	Connecting
Blinking rapidly 	Pairing
Static 	Connected/ Paired

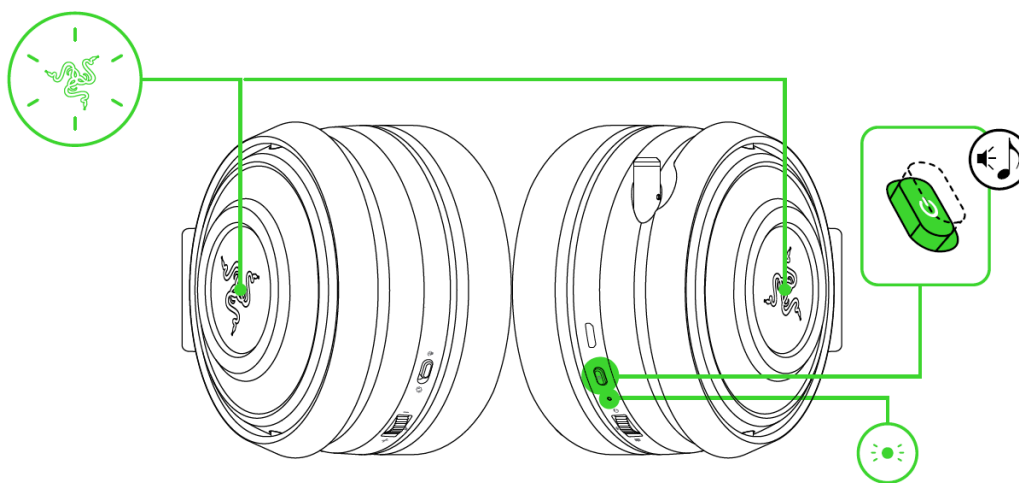
PAIRING YOUR HEADSET TO YOUR PC

i Make sure that your Xbox Wireless Adapter for Windows 10 is up-to-date. Some systems have Xbox Wireless built in which allows you to pair your headset by using Add a device in Settings.

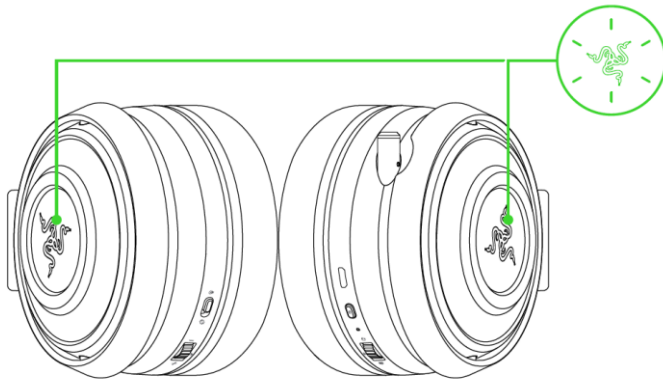
1. Connect your Xbox Wireless Adapter for Windows* to your PC, and then press the connect button.






2. While in power off state, press and hold the headset power button until the Razer logo starts blinking rapidly.



3. Wait until the Razer logo becomes static green to notify that the headset is paired.

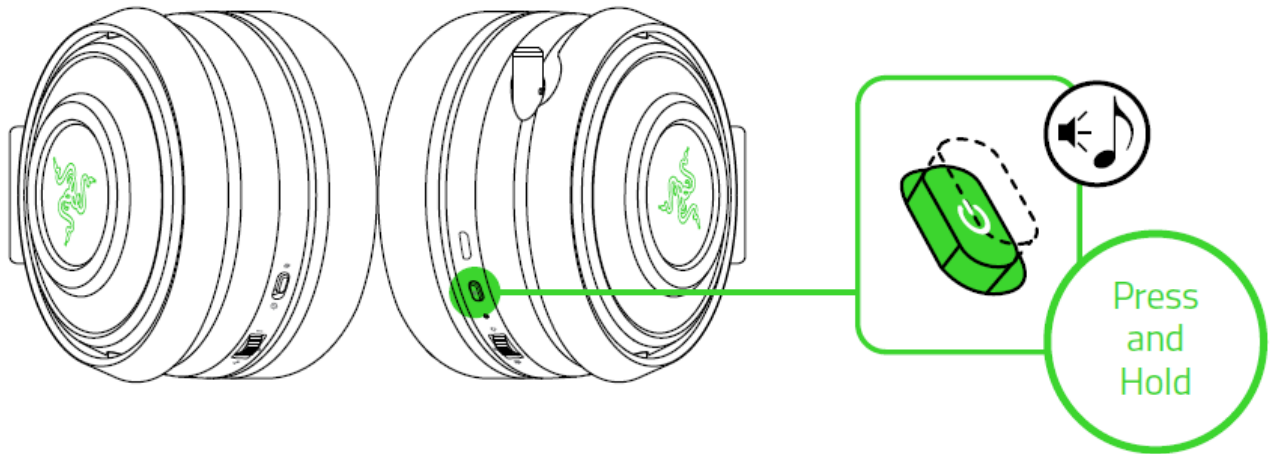


NOTIFICATION		STATUS
Blinking slowly		Connecting
Blinking rapidly		Pairing
Static		Connected/ Paired

6. USING YOUR RAZER NARI ULTIMATE FOR XBOX ONE

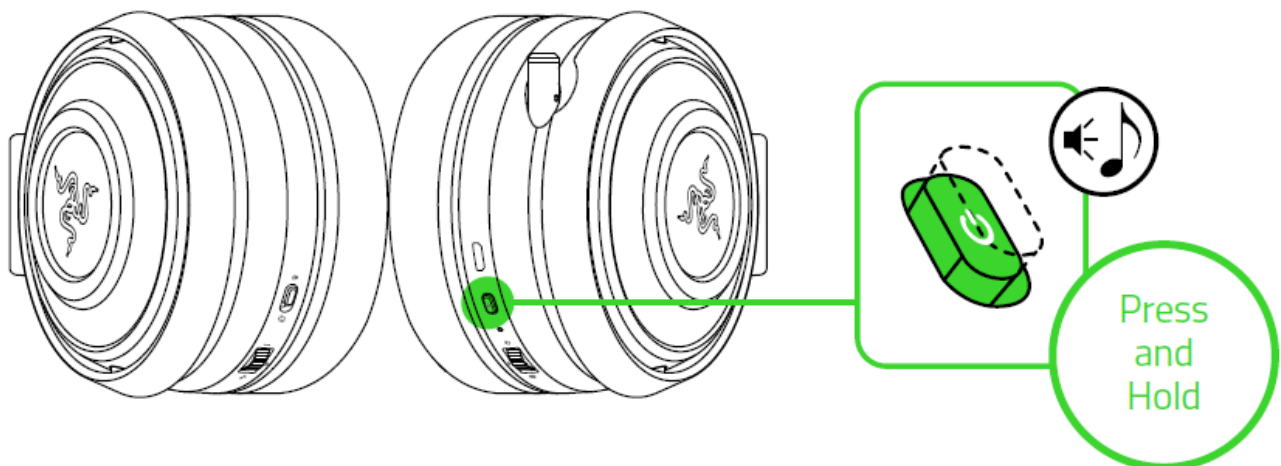
POWER ON

Press and hold the headset power button until you hear the ON tone, the status indicator is lit, or until the Razer logo starts blinking slowly.



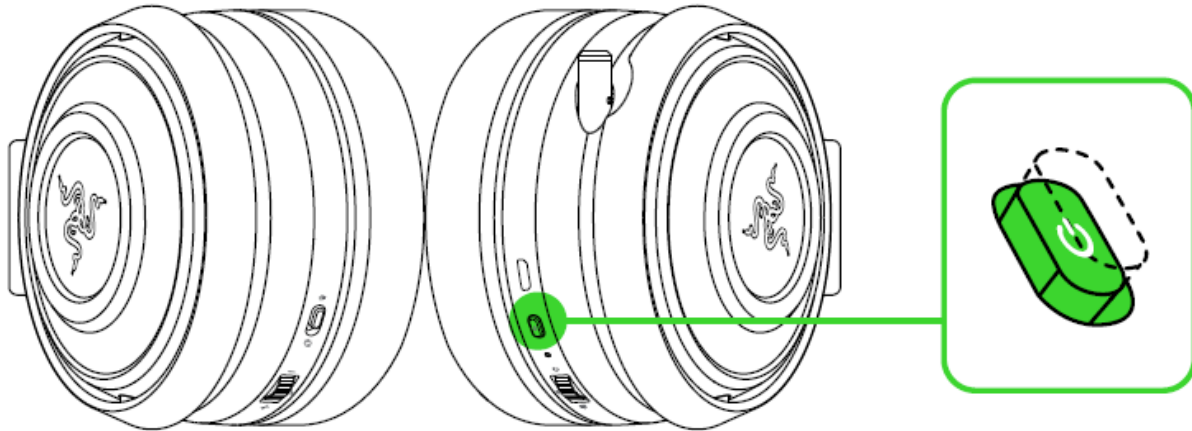
POWER OFF

Press and hold the headset power button until you hear the OFF tone, the status indicator is off, or until the Razer logo is turned off.



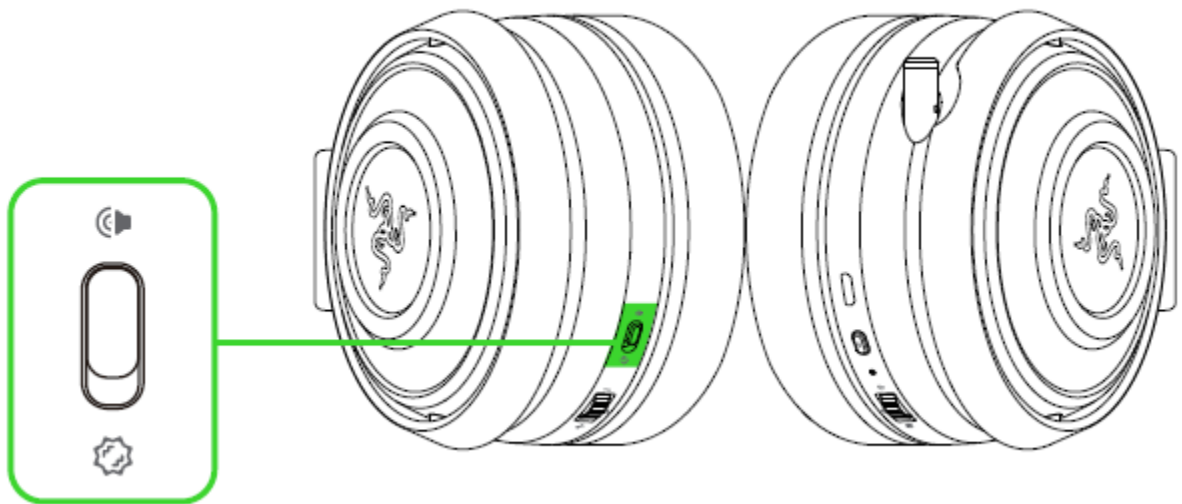
ENABLING/DISABLING THE RAZER LOGO LIGHTING

Press the headset power button to enable or disable the Razer logo lighting.

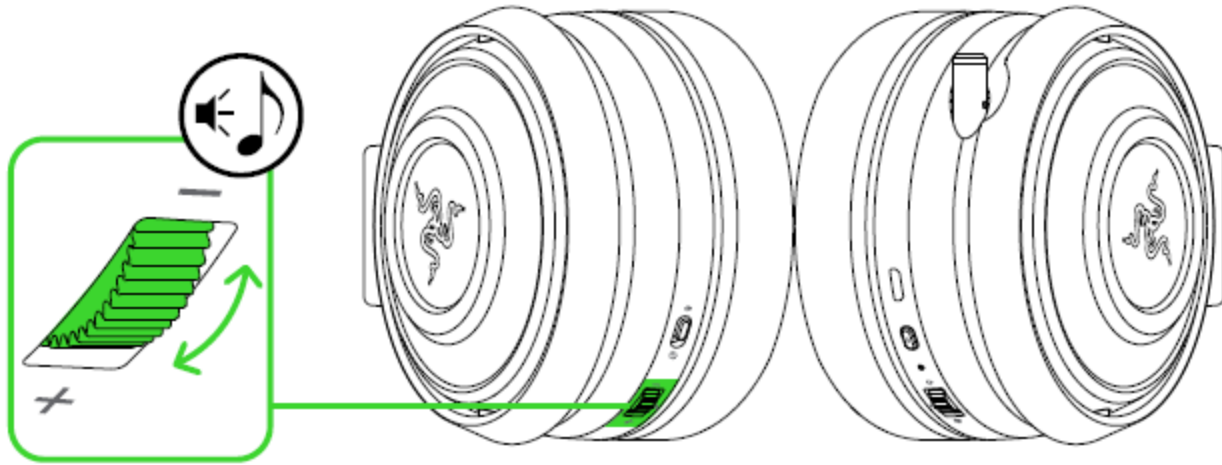


ADJUSTING THE HYPERSENSE INTENSITY / AUDIO VOLUME

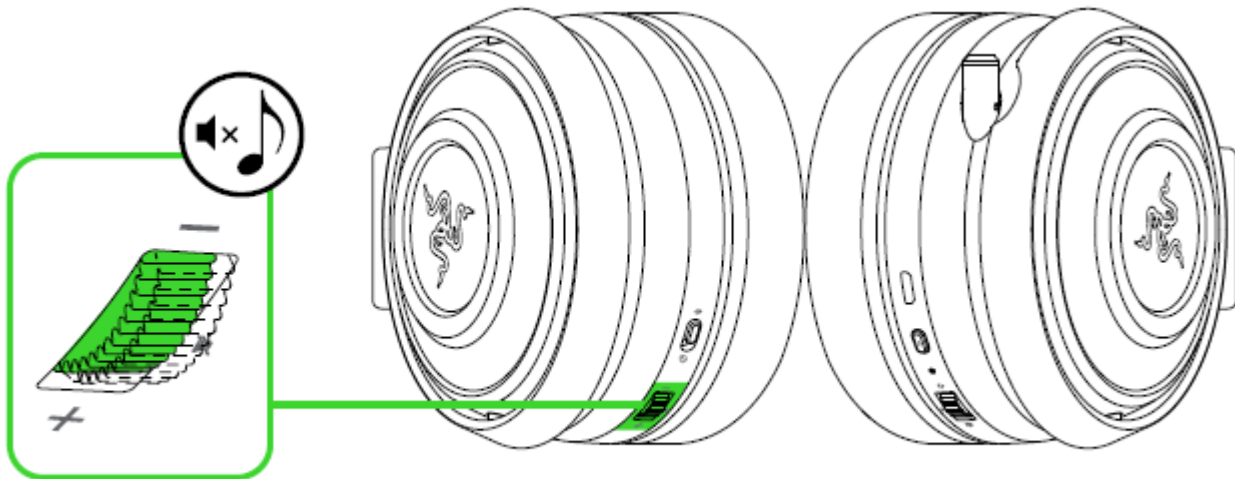
Use the Slider switch to determine whether you'll be adjusting the HyperSense Intensity (⚙️) or the audio volume (🔊) setting of your headset.



With the preferred setting selected in the Slider switch, rotate the Intensity / volume control to increase or decrease the selected setting.

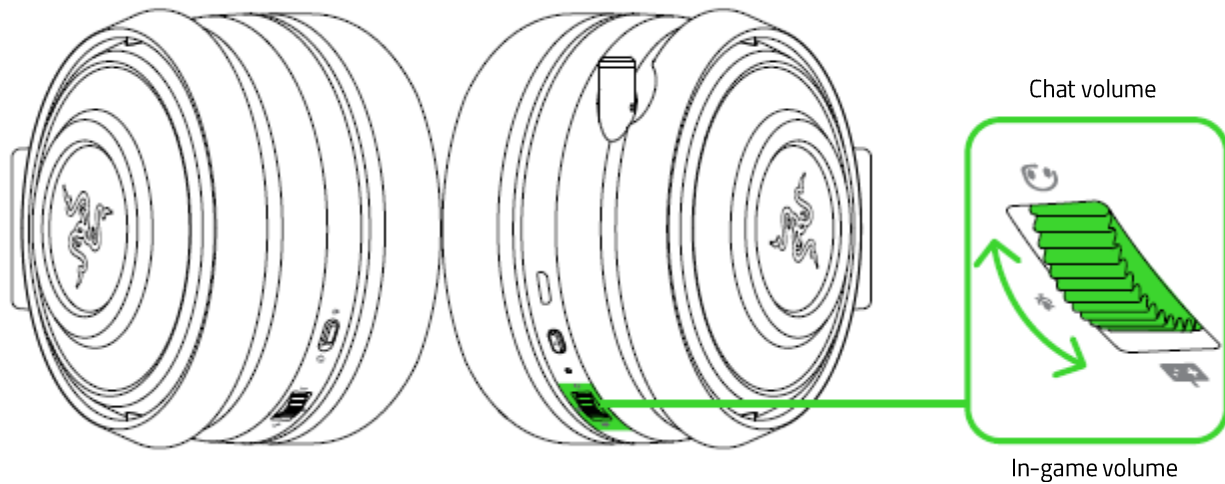


Press the Intensity / volume control to mute or unmute the selected setting.



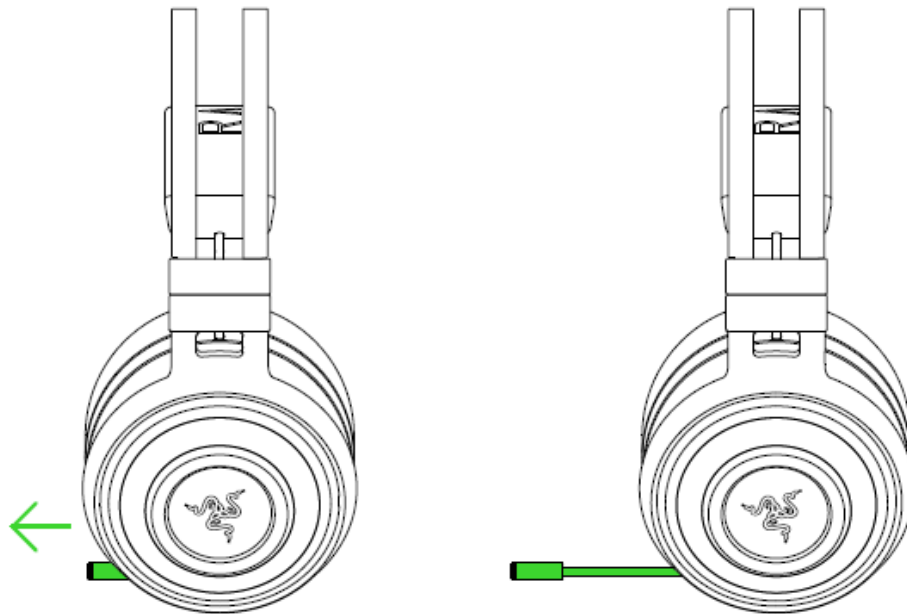
USING THE GAME/CHAT BALANCE CONTROL

Rotate the Game/Chat balance control to increase the in-game volume and decrease the voice chat volume or vice versa. By default, the notch on the wheel is set to the middle to indicate 50% chat and 50% game volume.

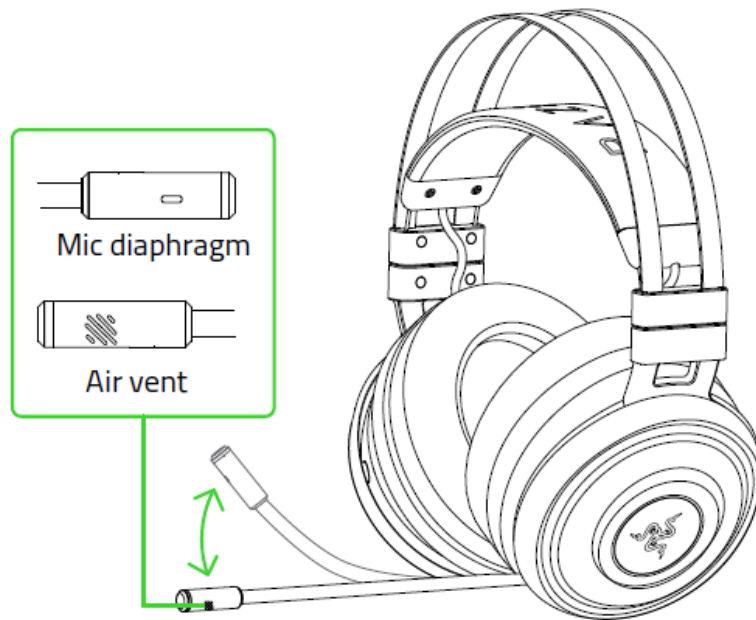


USING THE RETRACTABLE MIC

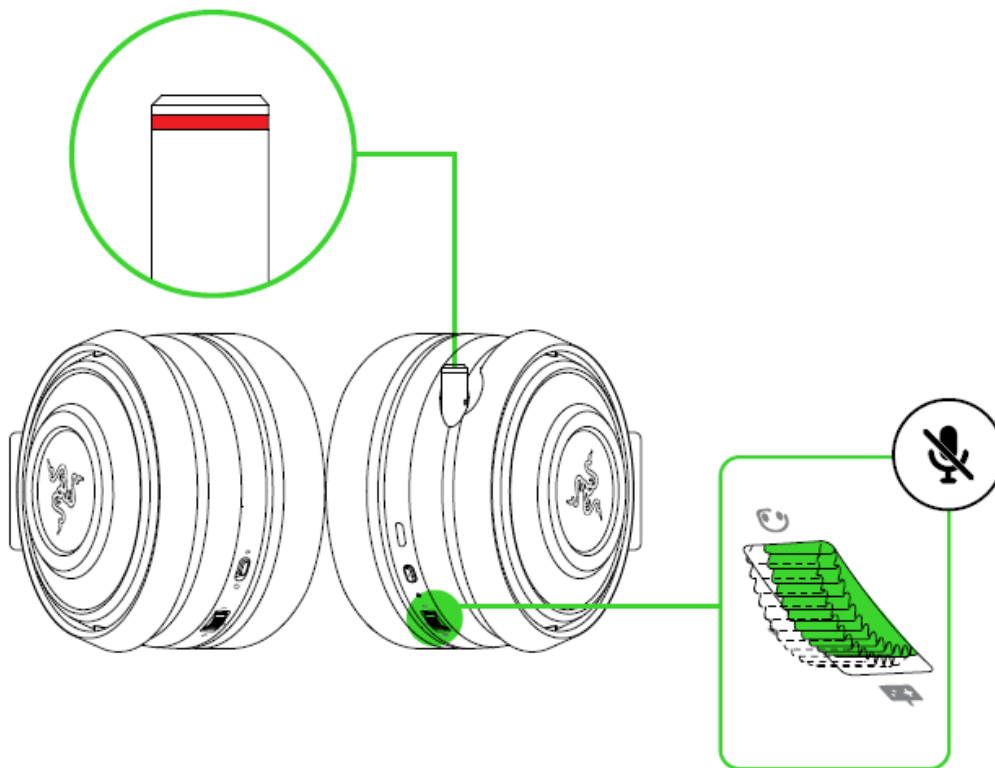
Pull the tip of the mic until it is fully extended.



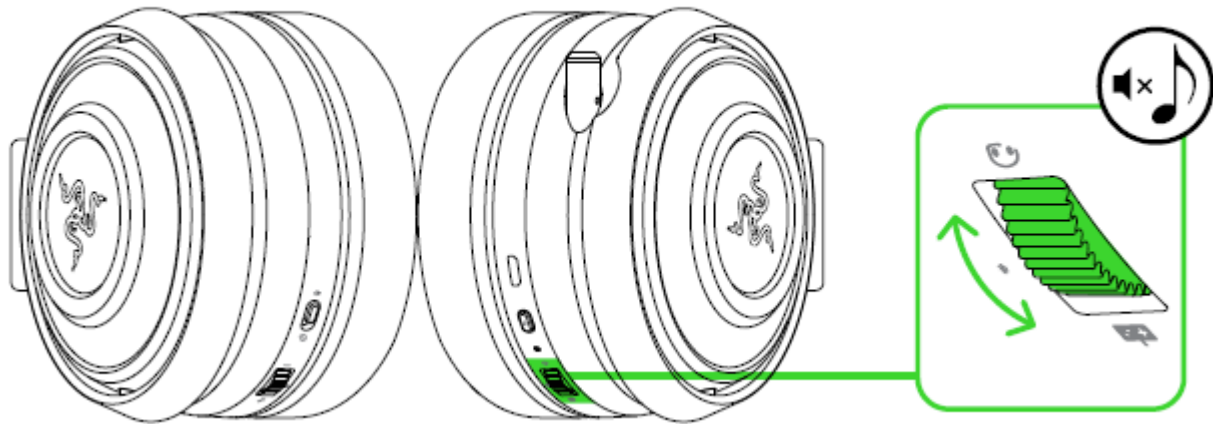
Bend the mic until it is parallel to your mouth, then adjust the length as preferred. Make sure the mic diaphragm is in front and the air vent is facing away from your mouth.



Press the Game/Chat balance to mute or unmute the mic. The mic mute indicator will light up when muted.

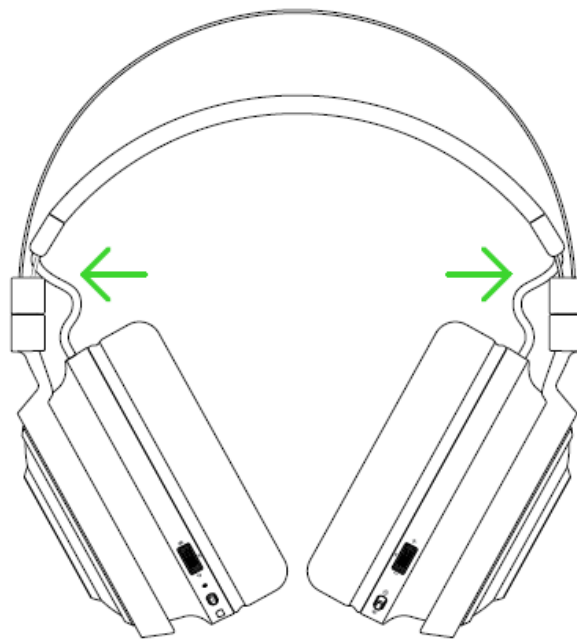


Press and hold the Game/Chat balance until you hear a tone to enable or disable mic monitoring.



EXTENDING YOUR HEADSET'S LIFESPAN

We recommend stretching the headset gently apart before placing them over your head to minimize headband stress. However, please avoid overstretching the headset beyond its technical limits.



7. SAFETY AND MAINTENANCE

SAFETY GUIDELINES

In order to achieve maximum safety while using your Razer Nari Ultimate for Xbox One, we suggest that you adopt the following guidelines:

Should you have trouble operating the device properly and troubleshooting does not work, unplug the device and contact the Razer hotline or go to support.razer.com for assistance.

Do not take apart the device (doing so will void your warranty) and do not attempt to operate it under abnormal current loads.

Keep the device away from liquid, humidity or moisture. Operate the device only within the specific temperature range of 0°C (32°F) to 40°C (104°F). Should the temperature exceed this range, unplug and/or switch off the device in order to let the temperature stabilize to an optimal level.

The device isolates external ambient sounds even at low volumes, resulting in lowered awareness of your external surroundings. Please remove the device when engaging in any activities that requires active awareness of your surroundings.

Listening to excessively loud volumes over extended periods of time can damage your hearing. Furthermore, legislation of certain countries permits a maximum sound level of 86dB to affect your hearing for 8 hours a day. We therefore recommend that you reduce the volume to a comfortable level when listening for prolonged periods of time. Please, take good care of your hearing.

MAINTENANCE AND USE

The Razer Nari Ultimate for Xbox One requires minimum maintenance to keep it in optimum condition. Once a month we recommend you power off or unplug the device from the computer and clean it using a soft cloth or cotton swab to prevent dirt buildup. Do not use soap or harsh cleaning agents.

8. LEGALESE

COPYRIGHT AND INTELLECTUAL PROPERTY INFORMATION

©2019 Razer Inc. All rights reserved. Razer, the triple-headed snake logo, Razer logo, “For Gamers. By Gamers.”, and “Powered by Razer Chroma” logo are trademarks or registered trademarks of Razer Inc. and/or affiliated companies in the United States or other countries. All other trademarks and trade names are the property of their respective owners and other company and product names mentioned herein may be trademarks of their respective companies.

Microsoft, Windows, the Windows logo, and Xbox One are trademarks of the Microsoft group of companies. All other trademarks are the property of their respective owners.

Lofelt is a trademark of Lofelt GmbH.

Razer Inc. (“Razer”) may have copyright, trademarks, trade secrets, patents, patent applications, or other intellectual property rights (whether registered or unregistered) concerning the product in this guide. Furnishing of this guide does not give you a license to any such copyright, trademark, patent or other intellectual property right. The Razer Nari Ultimate for Xbox One (the “Product”) may differ from pictures whether on packaging or otherwise. Razer assumes no responsibility for such differences or for any errors that may appear. Information contained herein is subject to change without notice.

LIMITED PRODUCT WARRANTY

For the latest and current terms of the Limited Product Warranty, please visit [razer.com/warranty](https://www.razer.com/warranty).

LIMITATION OF LIABILITY

Razer shall in no event be liable for any lost profits, loss of information or data, special, incidental, indirect, punitive or consequential or incidental damages, arising in any way out of distribution of, sale of, resale of, use of, or inability to use the Product. In no event shall Razer’s liability exceed the retail purchase price of the Product.

GENERAL

These terms shall be governed by and construed under the laws of the jurisdiction in which the Product was purchased. If any term herein is held to be invalid or unenforceable, then such term (in

so far as it is invalid or unenforceable) shall be given no effect and deemed to be excluded without invalidating any of the remaining terms. Razer reserves the right to amend any term at any time without notice.

FCC NOTICE

This equipment has been tested and found to comply with the limits for a Class B digital device, pursuant to part 15 of the FCC Rules. These limits are designed to provide reasonable protection against harmful interference in a residential installation. This equipment generates, uses and can radiate radio frequency energy and, if not installed and used in accordance with the instructions, may cause harmful interference to radio communications. However, there is no guarantee that interference will not occur in a particular installation. If this equipment does cause harmful interference to radio or television reception, which can be determined by turning the equipment off and on, the user is encouraged to try to correct the interference by one or more of the following measures:

- Reorient or relocate the receiving antenna.
- Increase the separation between the equipment and the receiver.
- Connect the equipment into an outlet on a circuit different from that to which the receiver is connected.
- Consult the dealer or an experienced radio TV technician for help.

For more information, refer to the online help system on razer.com.

FCC CAUTION STATEMENT

This device complies with Part 15 of the FCC Rules. Operation is subject to the following two conditions:

1. This device may not cause harmful interference, and
2. This device must accept any interference received, including interference that may cause undesired operation.

Caution

Any changes or modifications not expressly approved by the party responsible for compliance could void the user's authority to operate the equipment.

Canada Statement

This device complies with Industry Canada's licence-exempt RSSs. Operation is subject to the following two conditions:

- (1) This device may not cause interference; and
- (2) This device must accept any interference, including interference that may cause undesired operation of the device.

Le présent appareil est conforme aux CNR d'Industrie Canada applicables aux appareils radio exempts de licence. L'exploitation est autorisée aux deux conditions suivantes :

- (1) l'appareil ne doit pas produire de brouillage;
- (2) l'utilisateur de l'appareil doit accepter tout brouillage radioélectrique subi, même si le brouillage est susceptible d'en compromettre le fonctionnement.

The device meets the exemption from the routine evaluation limits in section 2.5 of RSS 102 and compliance with RSS-102 RF exposure, users can obtain Canadian information on RF exposure and compliance.

Le dispositif rencontre l'exemption des limites courantes d'évaluation dans la section 2.5 de RSS 102 et la conformité à l'exposition de RSS-102 rf, utilisateurs peut obtenir l'information canadienne sur l'exposition et la conformité de rf.

1. the device for operation in the band 5150–5250 MHz is only for indoor use to reduce the potential for harmful interference to co-channel mobile satellite systems;
 2. for devices with detachable antenna(s), the maximum antenna gain permitted for devices in the bands 5250-5350 MHz and 5470-5725 MHz shall be such that the equipment still complies with the e.i.r.p. limit;
 3. for devices with detachable antenna(s), the maximum antenna gain permitted for devices in the band 5725-5850 MHz shall be such that the equipment still complies with the e.i.r.p. limits specified for point-to-point and non-point-to-point operation as appropriate.
-
1. les dispositifs fonctionnant dans la bande 5150-5250 MHz sont réservés uniquement pour une utilisation à l'intérieur afin de réduire les risques de brouillage préjudiciable aux systèmes de satellites mobiles utilisant les mêmes canaux;
 2. le gain maximal d'antenne permis pour les dispositifs utilisant les bandes 5250-5350 MHz et 5470-5725 MHz doit se conformer à la limite de p.i.r.e.;
 3. le gain maximal d'antenne permis (pour les dispositifs utilisant la bande 5725-5825 MHz) doit se conformer à la limite de p.i.r.e. spécifiée pour l'exploitation point à point et non point à point, selon le cas.



STATEMENT OF
COMPLIANCE WITH EU DIRECTIVE ENGLISH

ENGLISH

STATEMENT OF COMPLIANCE WITH EU DIRECTIVE

Hereby, Razer (Europe) GmbH, declares that this Razer Thresher For Xbox One (Wireless Gaming Headset Model: RZ04-0291) is in compliance with the essential requirements and other relevant provisions of Directive 2014/53/EU.

Gaming headset:

Radio Frequency: 2.4GHz WIFI

Operating Frequency: 2400–24835MHz,

Max Output power: \leq 16dBm

Radio Frequency: 5GHz WIFI

Operating Frequency: 5150 – 5250 MHz,

Max Output power: \leq 13dBm

Operating Frequency: 5250 – 5350 MHz,

Max Output power: \leq 13dBm

Operating Frequency: 5470 – 5725 MHz,

Max Output power: \leq 13dBm

Operating Frequency: 5725 – 5850 MHz,

Max Output power: \leq 13dBm

The full Declaration of Conformity can be requested via the following: Company: Razer (Europe) GmbH
Address: Winterhuder Weg 82, D-22085 Hamburg, Germany
E-mail: compliance@razerzone.com

Internet address: <https://www.razerzone.com>