



RAZER Gaming Mouse

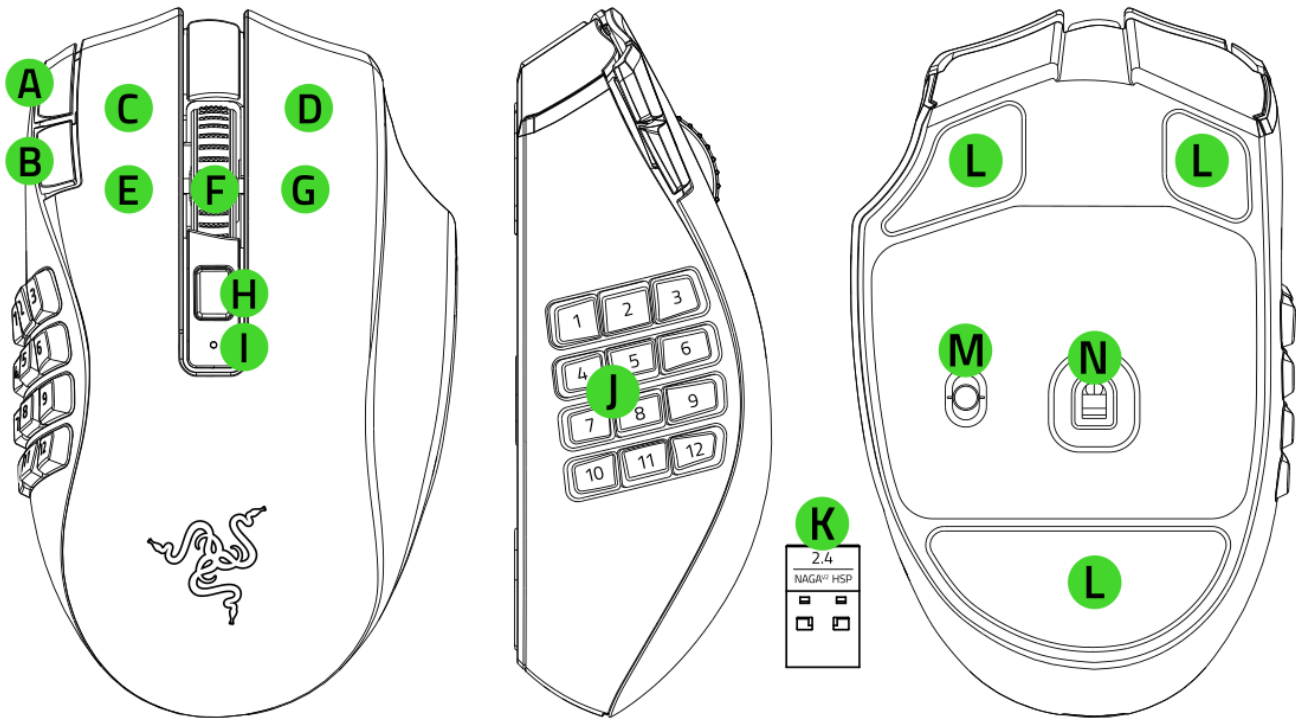
RZ01-0360

IMPORTANT PRODUCT INFORMATION GUIDE

---

## WHAT'S INSIDE

- Razer Gaming Mouse



- A. DPI stage up button\*
- B. DPI stage down button\*
- C. Left mouse button
- D. Right mouse button
- E. Left tilt-click
- F. Scroll wheel
- G. Right tilt-click
- H. Scroll mode button
  - Free-Spin Scrolling mode
  - Tactile Cycling mode

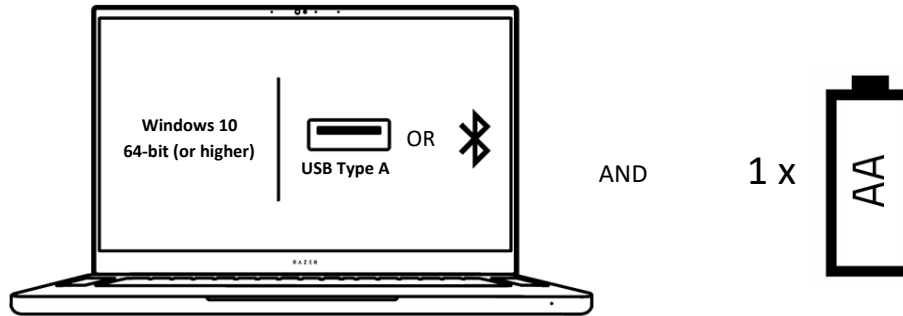
- I. Status indicator
- J. 12-button thumb grid
- K. Razer HyperSpeed Wireless USB dongle
- L. PTFE mouse feet
- M. Slider switch
  - Bluetooth mode
  - Power off mode
  - Razer™ HyperSpeed Wireless (2.4 GHz) mode
- N. Razer Focus Pro 30K Optical Sensor

*\*The DPI stages are 400, 800, 1600 (default), 3200, and 6400; and can be customized using Razer Synapse.*

- 1 x AA battery
- Important product information guide

---

## WHAT'S NEEDED



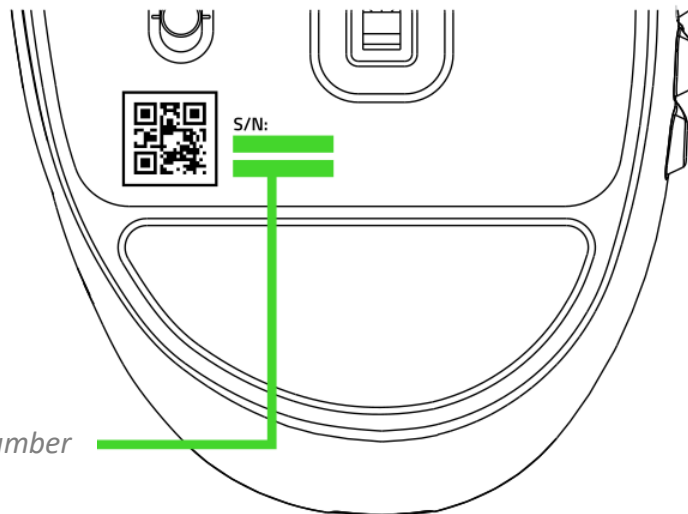
---

## LET'S GET YOU COVERED



Register your product and score exclusive benefits

[razerid.razer.com/warranty](https://razerid.razer.com/warranty)

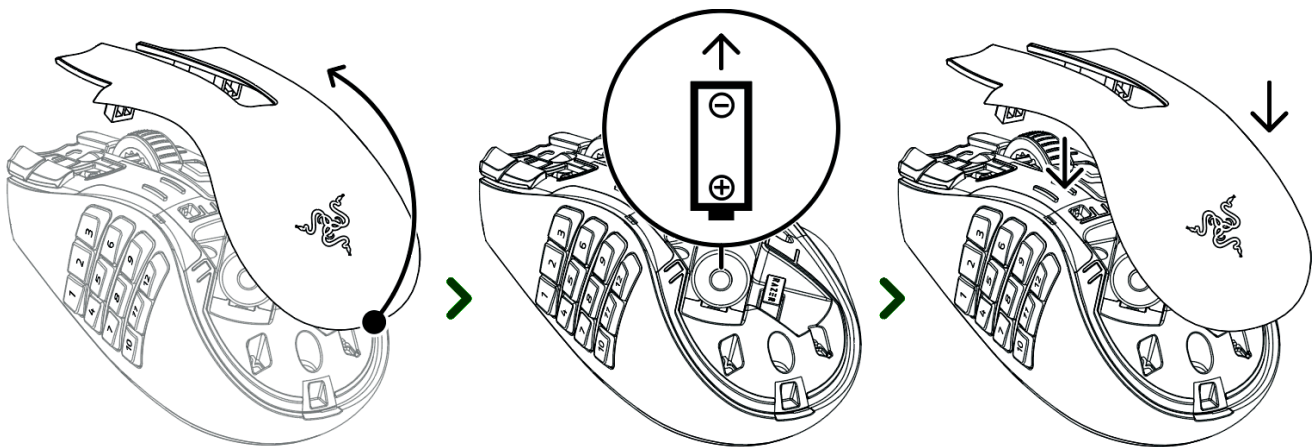


*Your product's serial number can be found here.*

---

## SETTING UP YOUR RAZER GAMING MOUSE

### INSERTING A BATTERY

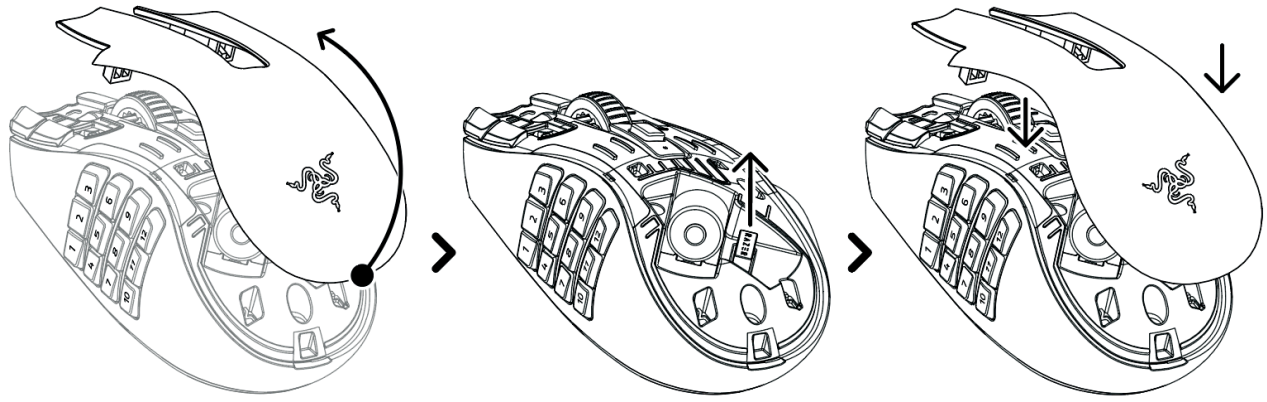


**Caution: The included AA battery is non-rechargeable. Dispose of batteries in accordance with your local environmental laws. For your safety, use only lithium or alkaline batteries.**

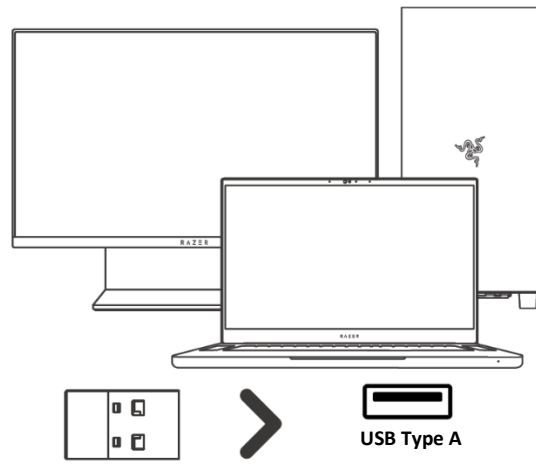
### CONNECTING YOUR MOUSE

#### A. VIA RAZER™ HYPERSPEED WIRELESS (2.4 GHZ) MODE

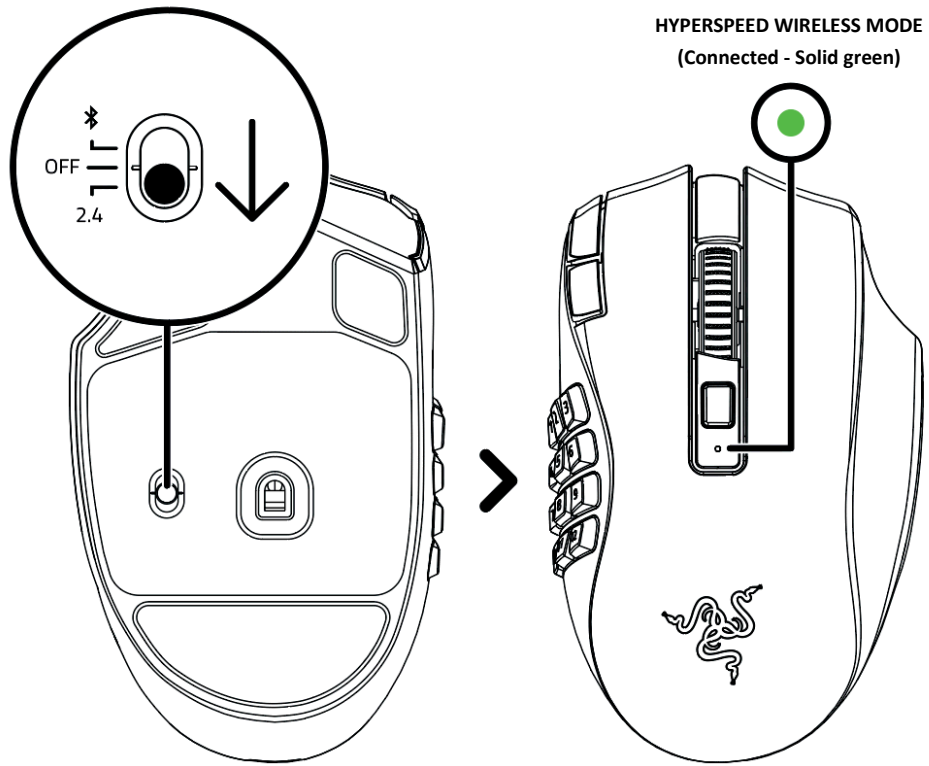
- 1.



2.

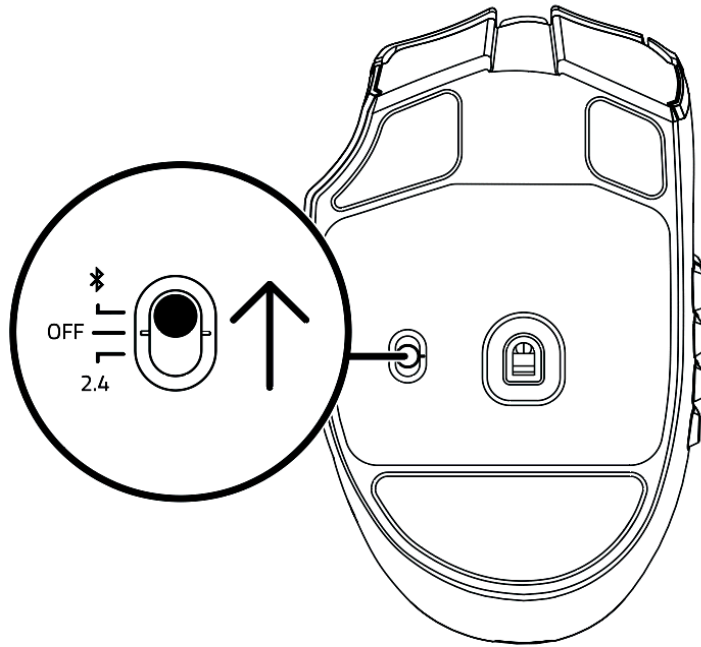


3.



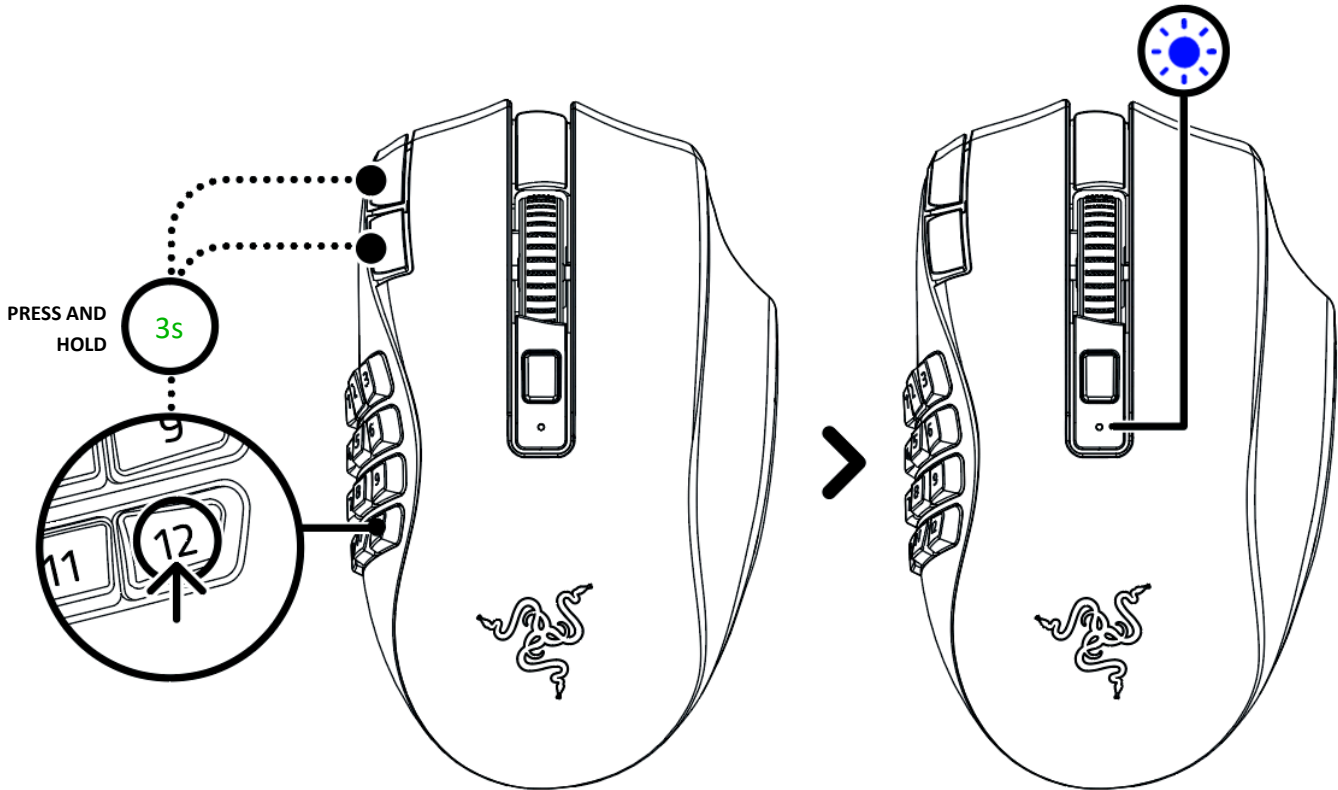
## B. VIA BLUETOOTH MODE

1.

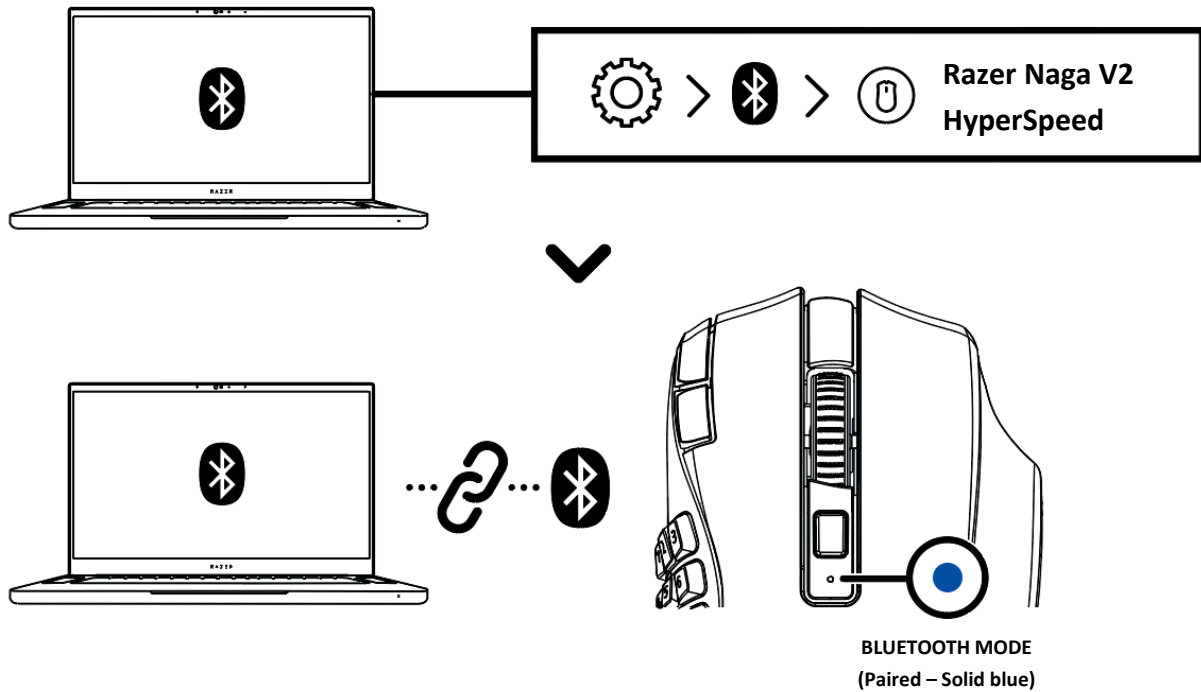


2.

**BLUETOOTH MODE**  
(Pairing – Blinking blue)



3.



**i** Once paired, your Razer Naga V2 HyperSpeed will automatically reconnect to your device whenever in Bluetooth mode and within range. Keep your devices within close proximity of each other for a faster and more stable connection.

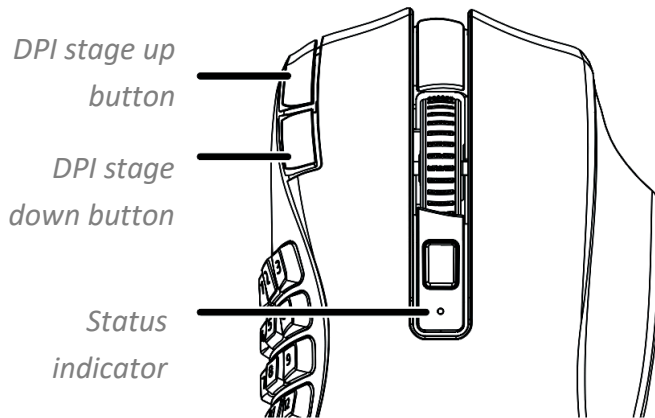
## PERSONALIZING YOUR MOUSE



Change your mouse's DPI to match your playstyle by pressing the DPI stage up or DPI stage down buttons, and configure them to your favorite key binds using the Synapse app. The status indicator will briefly change color to show which DPI stage is active.

400	Red
800	Green
1600 (Default)	Blue
3200	Cyan
6400	Yellow

with a  
or re-  
Razer  
change



**!** Install Razer Synapse when prompted or download the installer from [razer.com/synapse](https://www.razer.com/synapse)

Find out more about your ergonomic wireless MMO gaming mouse at [support.razer.com](https://support.razer.com)

---

## SAFETY AND MAINTENANCE

### SAFETY GUIDELINES

To achieve maximum safety while using your Razer Naga V2 HyperSpeed, we suggest that you adopt the following guidelines:

Should you have trouble operating the device properly and troubleshooting does not work, unplug the device and contact the Razer hotline or go to [support.razer.com](https://support.razer.com) for support.

Don't take apart the device, and don't attempt to operate it under abnormal current loads. Doing so will void your warranty.

Keep the device away from liquid, humidity, or moisture. Operate the device only within the specific temperature range of 0°C (32°F) to 40°C (104°F). Should the temperature exceed this range, unplug and/or switch off the device to stabilize the temperature to an optimal level.

### COMFORT

Research has shown that long periods of repetitive motion, improper positioning of your computer peripherals, incorrect body position, and poor habits may be associated with physical discomfort and injury to nerves, tendons, and muscles. Below are some guidelines to avoid injury and ensure optimum comfort while using your Razer Naga V2 HyperSpeed.

- Position your keyboard and monitor directly in front of you with your mouse next to it. Place your elbows next to your side, not too far away, and your keyboard within easy reach.
- Adjust the height of your chair and table so that the keyboard and mouse are at or below elbow-height.
- Keep your feet well supported, posture straight, and your shoulders relaxed.
- During gameplay, relax your wrist and keep it straight. If you do the same tasks with your hands repeatedly, try not to bend, extend or twist your hands for long periods.
- Don't rest your wrists on hard surfaces for long periods. Use a wrist rest to support your wrist while gaming.
- Don't sit in the same position all day. Get up, step away from your desk and do exercises to stretch your arms, shoulders, neck, and legs.

If you experience any physical discomfort while using your mouse, such as pain, numbness, or tingling in your hands, wrists, elbows, shoulders, neck, or back, please consult a qualified medical doctor immediately.

## MAINTENANCE AND USE

The Razer Naga V2 HyperSpeed requires minimum maintenance to keep it in optimum condition. Once a month, we recommend you unplug the device from the computer and clean it using a soft cloth or cotton swab to prevent dirt buildup. Don't use soap or harsh cleaning agents.

To get the ultimate experience in movement and control, we highly recommend a premium mouse mat from Razer. Some surfaces will cause undue wear on the feet requiring constant care and eventual replacement.

Do note that the sensor of the Razer Naga V2 HyperSpeed is 'tuned' or optimized specially for the Razer mouse mats. This means that the sensor has been tested extensively to confirm that the Razer Naga V2 HyperSpeed reads and tracks best on Razer mouse mats.

---

## LEGALESE

### COPYRIGHT AND INTELLECTUAL PROPERTY INFORMATION

©2022 Razer Inc. All rights reserved. Razer, the triple-headed snake logo, Razer logo, “For Gamers. By Gamers.”, and “Powered by Razer Chroma” logo are trademarks or registered trademarks of Razer Inc. and/or affiliated companies in the United States or other countries. All other trademarks are the property of their respective owners.

The Bluetooth® word mark and logos are registered trademarks owned by Bluetooth SIG, Inc., and any use of such marks by Razer is under license.

Windows and the Windows logo are trademarks of the Microsoft group of companies.

Razer Inc. (“Razer”) may have copyright, trademarks, trade secrets, patents, patent applications, or other intellectual property rights (whether registered or unregistered) concerning the product in this guide. Furnishing of this guide does not give you a license to any such copyright, trademark, patent or other intellectual property right. The Razer Naga V2 HyperSpeed (the “Product”) may differ from pictures whether on packaging or otherwise. Razer assumes no responsibility for such differences or for any errors that may appear. Information contained herein is subject to change without notice.

### LIMITED PRODUCT WARRANTY

For the latest and current terms of the Limited Product Warranty, please visit [razer.com/warranty](https://www.razer.com/warranty).

### LIMITATION OF LIABILITY

Razer shall in no event be liable for any lost profits, loss of information or data, special, incidental, indirect, punitive or consequential or incidental damages, arising in any way out of distribution of, sale of, resale of, use of, or inability to use the Product. In no event shall Razer’s liability exceed the retail purchase price of the Product.

### GENERAL

These terms shall be governed by and construed under the laws of the jurisdiction in which the Product was purchased. If any term herein is held to be invalid or unenforceable, then such term (in so far as it is invalid or unenforceable) shall be given no effect and deemed to be excluded without invalidating any of the remaining terms. Razer reserves the right to amend any term at any time without notice.

## FCC CAUTION STATEMENT

This device complies with Part 15 of the FCC Rules. Operation is subject to the following two conditions:

1. This device may not cause harmful interference, and
2. This device must accept any interference received, including interference that may cause undesired operation.

### IMPORTANT NOTE:

#### FCC Radiation Exposure Statement:

This equipment complies with FCC radiation exposure limits set forth for an uncontrolled environment. End users must follow the specific operating instructions for satisfying RF exposure compliance. This transmitter must not be co-located or operating in conjunction with any other antenna or transmitter .

The SAR limit of USA (FCC) is 1.6W/kg averaged over one gram of tissue. This device has also been tested against this SAR limit.

#### Caution!

Any changes or modifications not expressly approved by the party responsible for compliance could void the user's authority to operate the equipment.

This equipment has been tested and found to comply with the limits for a Class B digital device, pursuant to part 15 of the FCC Rules. These limits are designed to provide reasonable protection against harmful interference in a residential installation. This equipment generates uses and can radiate radio frequency energy and, if not installed and used in accordance with the instructions, may cause harmful interference to radio communications. However, there is no guarantee that interference will not occur in a particular installation. If this equipment does cause harmful interference to radio or television reception, which can be determined by turning the equipment off and on, the user is encouraged to try to correct the interference by one or more of the following measures:

- Reorient or relocate the receiving antenna.
- Increase the separation between the equipment and receiver.
- Connect the equipment into an outlet on a circuit different from that to which the receiver is connected.
- Consult the dealer or an experienced radio/TV technician for help.

#### Caution!

Any changes or modifications not expressly approved by the party responsible for compliance could void the user's authority to operate the equipment.

## NOTICE FOR CANADA

This Class B digital apparatus complies with Canadian ICES-003. Cet appareil numérique de la classe B est conforme à la norme NMB-003 du Canada. Caution! Any changes or modifications not expressly approved by the party responsible for compliance could void the user's authority to operate the equipment.

**CANADIAN CLASS B STATEMENT:**

This device complies with Industry Canada's licence-exempt RSSs. Operation is subject to the following two conditions:

- (1) This device may not cause interference; and
- (2) This device must accept any interference, including interference that may cause undesired operation of the device.

This transmitter must not be co-located or operating in conjunction with any other antenna or transmitter. This equipment should be installed and operated with a minimum distance of 0mm between the radiator and your body.

Le présent appareil est conforme aux CNR d'Industrie Canada applicables aux appareils radio exempts de licence.

L'exploitation est autorisée aux deux conditions suivantes :

- (1) l'appareil ne doit pas produire de brouillage;
- (2) l'utilisateur de l'appareil doit accepter tout brouillage radioélectrique subi, même si le brouillage est susceptible d'en compromettre le fonctionnement. Cet émetteur ne doit pas être Co-place ou ne fonctionnant en même temps qu'aucune autre antenne ou émetteur. Cet équipement devrait être installé et actionné avec une distance minimum de 0mm entre le radiateur et votre corps.

**Declaration of Conformity**

**Hereby, Razer Inc. declares that the radio equipment type gaming mouse RZ01-0360 is in compliance with Directive 2014/53/EU. The full text of the EU declaration of conformity is available at the following internet address:**

**[razer.com/legal/compliance](http://razer.com/legal/compliance)**

**2.4G equipment**

**Bluetooth : 2402 MHz - 2480 MHz**

**Power : 6.64dBm(Max.e.i.r.p)**

**SRD 2.4 GHz : 2402 MHz - 2480 MHz**

**Power: 6.64dBm(Max.e.i.r.p)**

