

DATE: 24 APRIL 2020

PRODUCT MANUAL FOR GAMING MOUSE

GAMING MOUSE MODEL: RZ01-0342

USB DONGLE MODEL: DGRFG7

WHAT'S INSIDE / WHAT'S NEEDED

WHAT'S INSIDE

- Gaming mouse (Gaming mouse model: RZ01-0342, USB Dongle: DGRFG7)



A. Left mouse button

B. Right mouse button

C. Scroll wheel

D. Left tilt-click —repeat scroll down

E. Right tilt-click —repeat scroll up

F. DPI stage up

G. DPI stage down

H. Ultraslick mouse feet

I. Razer™ Focus+ 20K DPI Optical Sensor

J. Profile indicator

K. Profile button



L. Slider switch

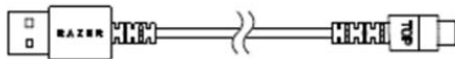
- Razer™ HyperSpeed Wireless (2.4 Ghz) mode
- Power off mode
- Bluetooth mode

M. 12-button side plate
(recommended for MMOs)

N. 7-button side plate
(recommended for MOBAs)

O. 2-button side plate
(recommended for general use)

- Razer™ Speedflex charging cable



- Important Product Information Guide

- USB dongle adapter



The DPI stages are as follows: 400, 800, 1600 (default), 3200 and 6400. The DPI stages can be customized using Razer Synapse.

WHAT'S NEEDED

PRODUCT REQUIREMENTS

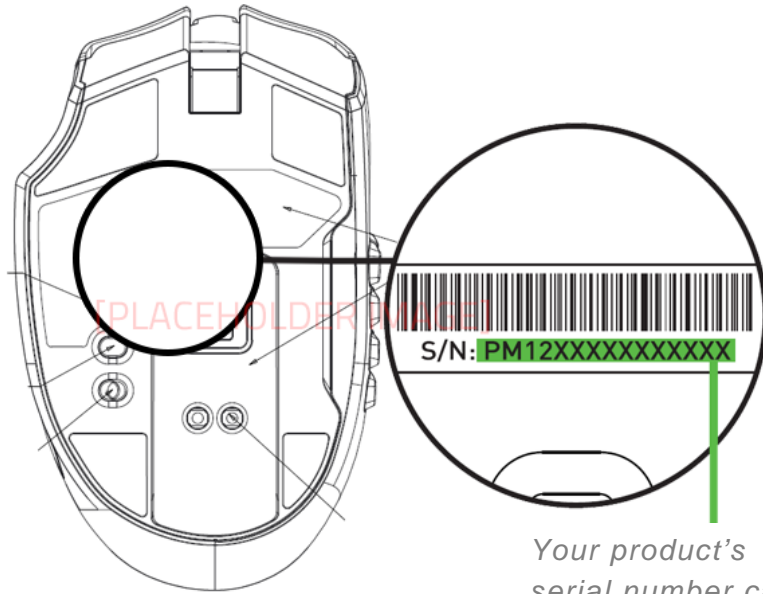
- PC with a free USB port or Bluetooth 5.0 connectivity

RAZER SYNAPSE REQUIREMENTS

- Windows® 7 64-bit (or higher)
- Internet connection for software installation

LET'S GET YOU COVERED

You've got a great device in your hands, complete with a 2-year limited warranty coverage. Now maximize its potential and score exclusive Razer benefits by registering at razerid.razer.com



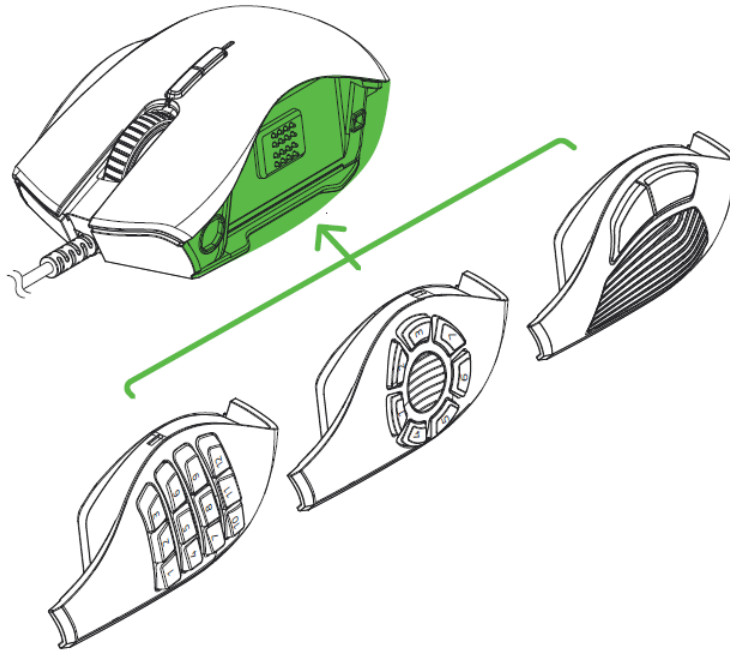
*Your product's
serial number can
be found here.*

Got a question? Ask the Razer Support Team at support.razer.com

GETTING STARTED

CHANGING THE SIDE PLATE

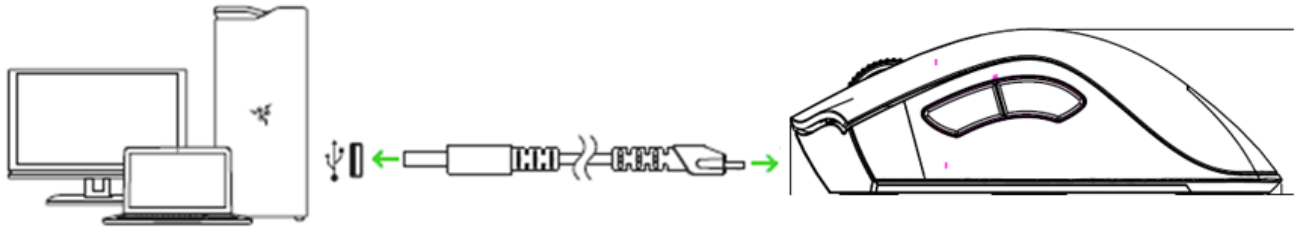
Pull from the bottom of the side plate to remove and then replace it with the preferred side plate. It's recommended that you unplug the mouse first before changing side plates.



i *To customize each side plate's button assignments, please install Razer Synapse.*

CHARGING YOUR MOUSE

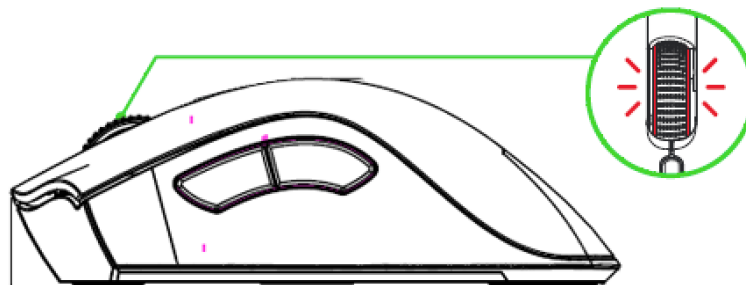
Plug the charging cable from your computer's USB port to your Razer Naga Pro. For best results, please fully charge the mouse before using it for the first time. A depleted battery will be fully charged in approximately 4 hours. This connection also acts as the wired mode for your Razer device.



- i** *The Razer Naga Pro requires a USB connection that can supply sufficient power to charge the device. The charging process may be affected when connecting to a non-powered USB hub or non-powered USB mostly found on keyboards and peripherals. It's recommended to always connect the Razer Naga Pro directly to the USB port of your computer.*

LOW POWER INDICATOR

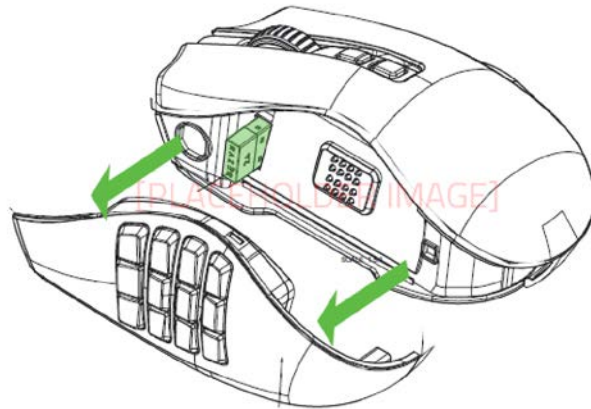
The scroll wheel will blink red twice in repeated intervals to indicate that its battery's power is less than 5%. This lighting sequence will repeat until the battery is drained or the mouse is connected to the PC via the charging cable.



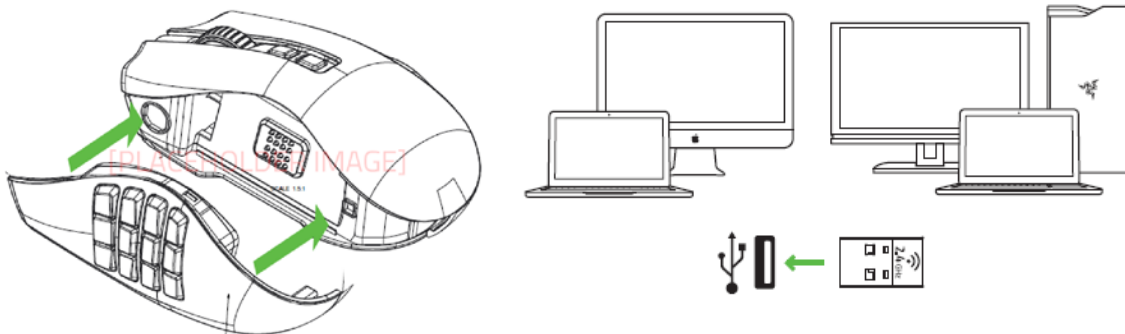
CONNECTING YOUR MOUSE

VIA RAZER™ HYPERSPEED WIRELESS (2.4 GHZ) MODE

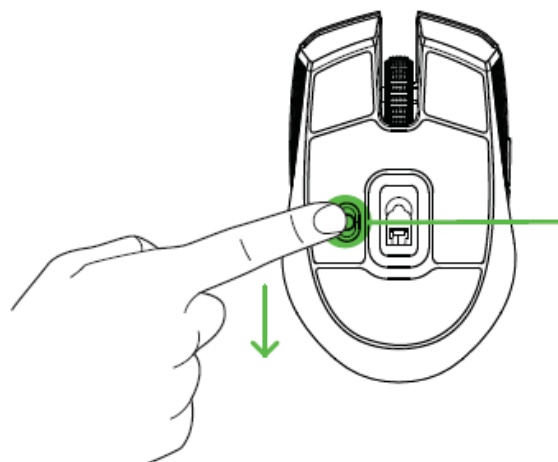
1. Remove the attached side plate from the mouse to remove the wireless USB dongle.



2. Reattach the side plate and insert the wireless USB dongle into the USB port of your PC.



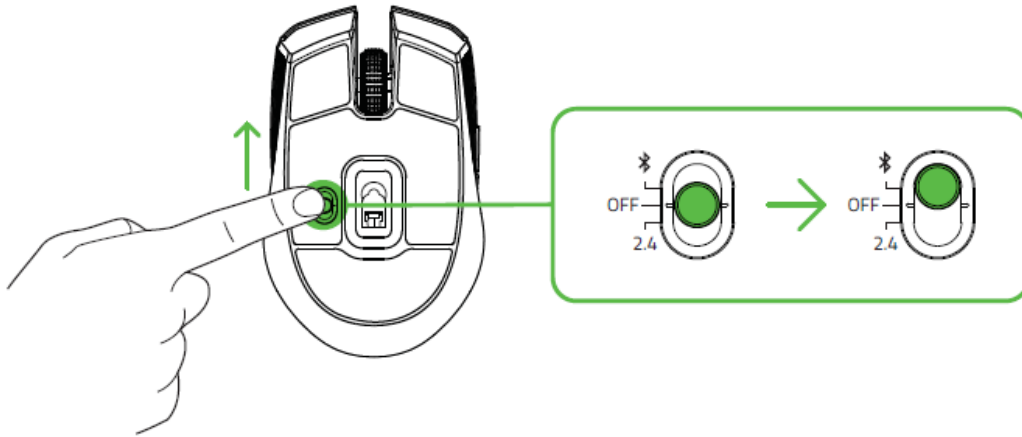
3. Push the slider switch to Razer™ HyperSpeed Wireless (2.4 GHz) mode.



Your Razer Naga Pro is now ready for use in wireless mode.

VIA BLUETOOTH MODE

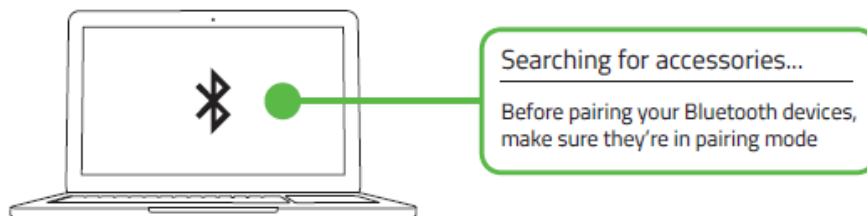
1. Push the slider switch to Bluetooth mode (⌘).



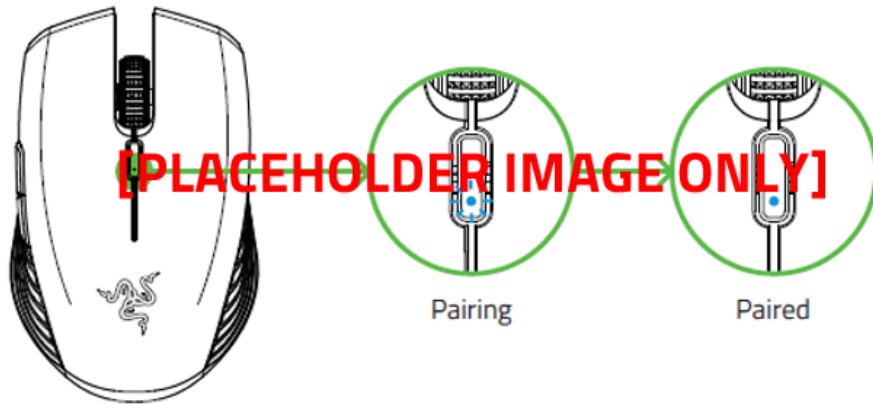
2. Press and hold the Profile button, and the DPI stage up and DPI stage down buttons simultaneously for three seconds to activate pairing mode. The Razer logo will blink twice in repeated intervals to show that the device is in pairing mode.



3. Activate Bluetooth on your device, search for new Bluetooth devices, and select "Razer Naga Pro" from the list of devices found.



4. Wait until the mouse pairs with your device. When paired, the Razer logo will briefly turn static blue before displaying its current lighting effect.

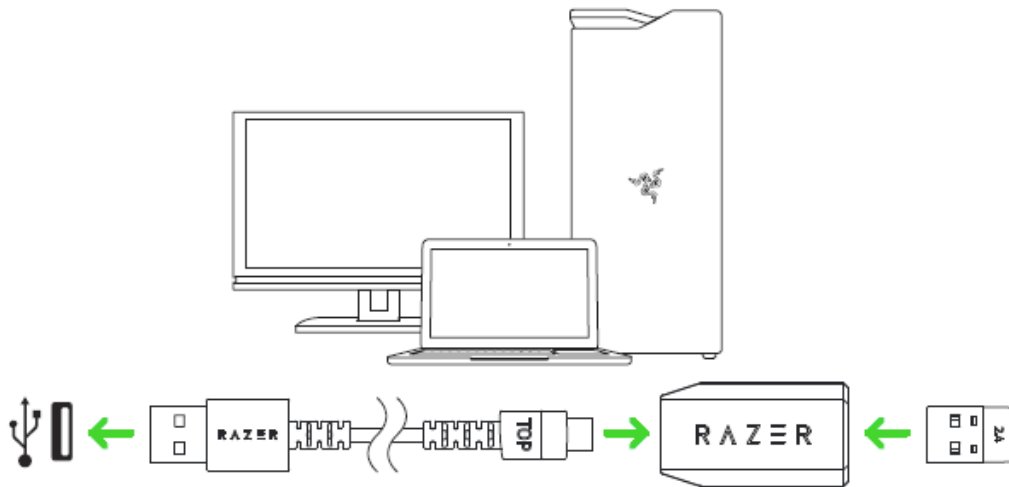


i Once paired, your Razer Naga Pro will automatically reconnect to your device whenever in Bluetooth mode and within range. Keep the pairing devices within close proximity of each other for faster and more stable connection.

Congratulations, your Razer Naga Pro is now ready to use in Bluetooth mode.

USING THE WIRELESS USB DONGLE ADAPTER

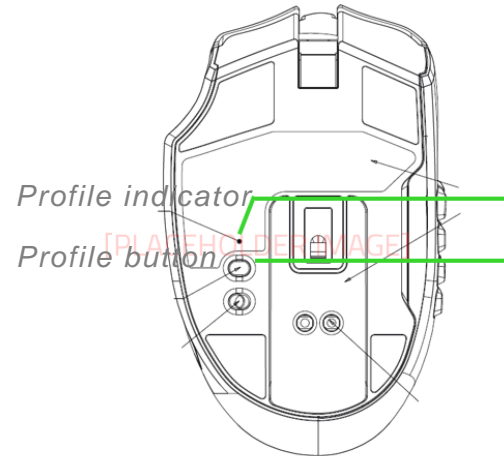
Use the USB dongle adapter to easily access and extend the reach of your wireless USB dongle.



PERSONALIZING YOUR MOUSE

Use the Razer Synapse app to customize your mouse's lighting, configure its buttons, and even create various profiles suited for different playstyles. Your Razer Naga Pro can store up to 5 profiles from the Razer Synapse app, allowing you to use these profiles even on systems without the app installed. Pressing the profile button will cycle through the different profiles, with the profile indicator's color showing which profile is currently selected.

Profile	Designated color
Active Profile	White
Profile 1	Red
Profile 2	Green
Profile 3	Blue
Profile 4	Cyan



 *Install Razer Synapse when prompted or download the installer from razer.com/synapse*

Find out more about your feature-packed wireless gaming mouse at support.razer.com

SAFETY AND MAINTENANCE

SAFETY GUIDELINES

Should you have trouble operating the device properly and troubleshooting does not work, unplug the device and contact the Razer hotline or go to support.razer.com for support.

Do not take apart the device and do not attempt to operate it under abnormal current loads. Doing so will void your warranty.

Keep the device away from liquid, humidity or moisture. Operate the device only within the specific temperature range of 0°C (32°F) to 40°C (104°F). Should the temperature exceed this range, unplug and/or switch off the device in order to let the temperature stabilize to an optimal level.

COMFORT

Research has shown that long periods of repetitive motion, improper positioning of your computer peripherals, incorrect body position, and poor habits may be associated with physical discomfort and injury to nerves, tendons, and muscles. Below are some guidelines to avoid injury and ensure optimum comfort while using your Razer Naga Pro.

- Position your keyboard and monitor directly in front of you with your mouse next to it. Place your elbows next to your side, not too far away and your keyboard within easy reach.
- Adjust the height of your chair and table so that the keyboard and mouse are at or below elbow-height.
- Keep your feet well supported, posture straight and your shoulders relaxed.
- During gameplay, relax your wrist and keep it straight. If you do the same tasks with your hands repeatedly, try not to bend, extend or twist your hands for long periods.
- Do not rest your wrists on hard surfaces for long periods. Use a wrist rest to support your wrist while gaming.
- Do not sit in the same position all day. Get up, step away from your desk and do exercises to stretch your arms, shoulders, neck and legs.

If you should experience any physical discomfort while using your mouse, such as pain, numbness, or tingling in your hands, wrists, elbows, shoulders, neck or back, please consult a qualified medical doctor immediately.

MAINTENANCE AND USE

The Razer Naga Pro requires minimum maintenance to keep it in optimum condition. Once a month we recommend you unplug the device from the computer and clean it using a soft cloth or cotton swab to prevent dirt buildup. Do not use soap or harsh cleaning agents.

To get the ultimate experience in movement and control, we highly recommend a premium mouse mat from Razer. Some surfaces will cause undue wear on the feet requiring constant care and eventual replacement.

Do note that the sensor of the Razer Naga Pro is 'tuned' or optimized especially for the Razer mouse mats. This means that the sensor has been tested extensively to confirm that the Razer Naga Pro reads and tracks best on Razer mouse mats.

LEGALESE

COPYRIGHT AND INTELLECTUAL PROPERTY INFORMATION

©2020 Razer Inc. All rights reserved. Razer, the triple-headed snake logo, Razer logo, “For Gamers. By Gamers.”, and “Powered by Razer Chroma” logo are trademarks or registered trademarks of Razer Inc. and/or affiliated companies in the United States or other countries. All other trademarks are the property of their respective owners.

The Bluetooth® word mark and logos are registered trademarks owned by Bluetooth SIG, Inc., and any use of such marks by Razer is under license.

Windows and the Windows logo are trademarks of the Microsoft group of companies.

Razer Inc. (“Razer”) may have copyright, trademarks, trade secrets, patents, patent applications, or other intellectual property rights (whether registered or unregistered) concerning the product in this guide. Furnishing of this guide does not give you a license to any such copyright, trademark, patent or other intellectual property right. The Razer Naga Pro (the “Product”) may differ from pictures whether on packaging or otherwise. Razer assumes no responsibility for such differences or for any errors that may appear. Information contained herein is subject to change without notice.

LIMITED PRODUCT WARRANTY

For the latest and current terms of the Limited Product Warranty, please visit [razer.com/warranty](https://www.razer.com/warranty).

LIMITATION OF LIABILITY

Razer shall in no event be liable for any lost profits, loss of information or data, special, incidental, indirect, punitive or consequential or incidental damages, arising in any way out of distribution of, sale of, resale of, use of, or inability to use the Product. In no event shall Razer’s liability exceed the retail purchase price of the Product.

GENERAL

These terms shall be governed by and construed under the laws of the jurisdiction in which the Product was purchased. If any term herein is held to be invalid or unenforceable, then such term (in so far as it is invalid or unenforceable) shall be given no effect and deemed to be excluded without invalidating any of the remaining terms. Razer reserves the right to amend any term at any time without notice.



STATEMENT OF COMPLIANCE WITH EU DIRECTIVE

ENGLISH

STATEMENT OF COMPLIANCE WITH EU DIRECTIVE

Hereby, Razer (Europe) GmbH, declares that this Razer Naga Pro Gaming Mouse (contains Gaming Mouse Model: RZ01-0342, USB Dongle Model: DGRFG7) is in compliance with the essential requirements and other relevant provisions of Directive 2014/53/EU and 2015/863/EU.

[Gaming Mouse]

Radio Frequency: Bluetooth

Frequency Band: 2400MHz-2483.5MHz

RF Power: <10dbm

Radio Frequency: 2.4Ghz SRD

Frequency Band: 2400MHz-2483.5MHz

RF Power: <10dbm

Software/ Firmware: V1.0

[USB Dongle]

Radio Frequency: 2.4Ghz SRD

Frequency Band: 2400MHz-2483.5MHz

RF Power: <10dbm

Software/ Firmware: V1.0

FCC Statement

This equipment has been tested and found to comply with the limits for a Class B digital device, pursuant to part 15 of the FCC Rules. These limits are designed to provide reasonable protection against harmful interference in a residential installation. This equipment generates uses and can radiate radio frequency energy and, if not installed and used in accordance with the instructions, may cause harmful interference to radio communications. However, there is no guarantee that interference will not occur in a particular installation. If this equipment does cause harmful interference to radio or television reception, which can be determined by turning the equipment off and on, the user is encouraged to try to correct the interference by one or more of the following measures:

- Reorient or relocate the receiving antenna.
- Increase the separation between the equipment and receiver.
- Connect the equipment into an outlet on a circuit different from that to which the receiver is connected.
- Consult the dealer or an experienced radio/TV technician for help.

FCC Radiation Exposure Statement

This device complies with FCC radiation exposure limits set forth for an uncontrolled environment and it also complies with Part 15 of the FCC RF Rules. This equipment must not be co-located or operating in conjunction with any other antenna or transmitter. End-users and installers must be provide with antenna installation instructions and consider removing the no-collocation statement.

This device complies with Part 15 of the FCC Rules. Operation is subject to the following two conditions: (1) this device may not cause harmful interference, and (2) this device must accept any interference received, including interference that may cause undesired operation.

Caution!

Any changes or modifications not expressly approved by the party responsible for compliance could void the user's authority to operate the equipment.

Canada Statement

This device contains licence-exempt transmitter(s)/receiver(s) that comply with Innovation, Science and Economic Development Canada's licence-exempt RSS(s). Operation is subject to the following two conditions:

- (1) This device may not cause interference.
- (2) This device must accept any interference, including interference that may cause undesired operation of the device.

L'émetteur/récepteur exempt de licence contenu dans le présent appareil est conforme aux CNR d'Innovation, Sciences et Développement économique Canada applicables aux appareils radio exempts de licence.

L'exploitation est autorisée aux deux conditions suivantes :

- 1) L'appareil ne doit pas produire de brouillage;
- 2) L'appareil doit accepter tout brouillage radioélectrique subi, même si le brouillage est susceptible d'en compromettre le fonctionnement.

The device meets the exemption from the routine evaluation limits in section 2.5 of RSS 102 and compliance with RSS-102 RF exposure, users can obtain Canadian information on RF exposure and compliance.

Le dispositif rencontre l'exemption des limites courantes d'évaluation dans la section 2.5 de RSS 102 et la conformité à l'exposition de RSS-102 rf, utilisateurs peut obtenir l'information canadienne sur l'exposition et la conformité de rf.