



GAMING HEADSET (RZ04-0346), USB  
WIRELESS TRANSCEIVER (RC30-0346)

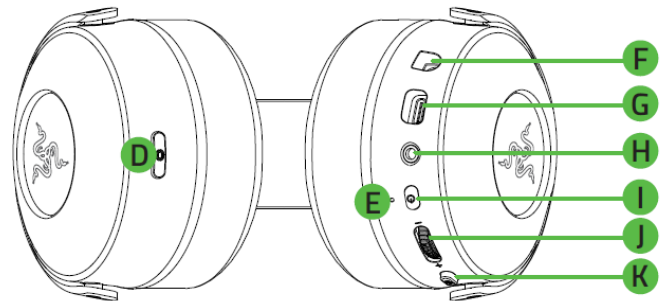
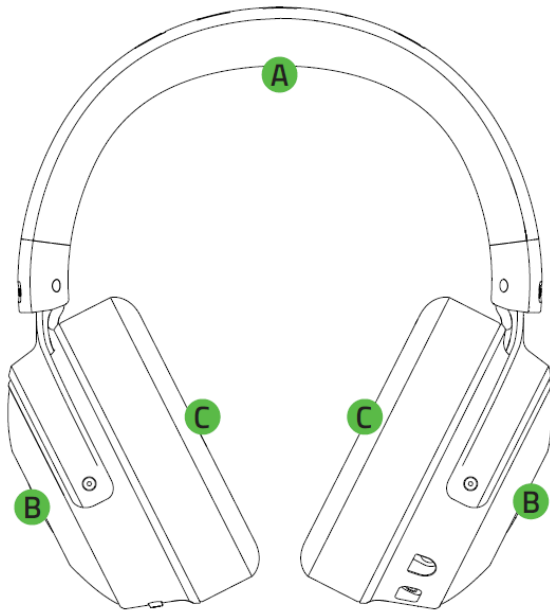
IMPORTANT PRODUCT INFORMATION GUIDE

---

## WHAT'S INSIDE / WHAT'S NEEDED

### WHAT'S INSIDE

- GAMING HEADSET (RZ04-0346)



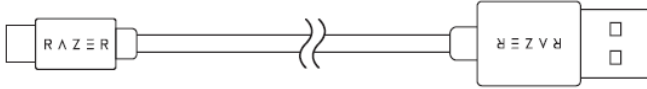
- A. Adjustable padded headband
- B. Backlit Razer logo Powered by Razer Chroma™ RGB
- C. Hybrid fabric and leatherette memory foam cushions
- D. HyperSense button
- E. Status indicator

- F. Microphone jack
- G. Charging port
- H. 3.5 mm audio + mic jack
- I. Power button
- J. Volume control wheel
- K. Mic mute button

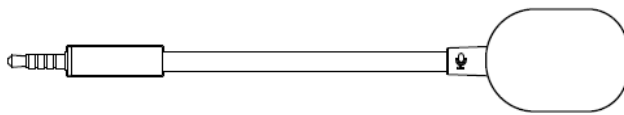
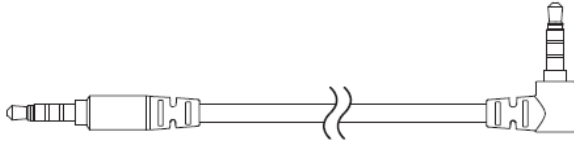
- USB WIRELESS TRANSCEIVER (RC30-0346)



- Type-C to Type-A charging cable



- 3.5 mm combo cable



- Important Product Information Guide

## WHAT'S NEEDED

- [Wireless] USB-A port
- [Wired] 3.5 mm audio + mic combined jack

## RAZER SYNAPSE REQUIREMENTS

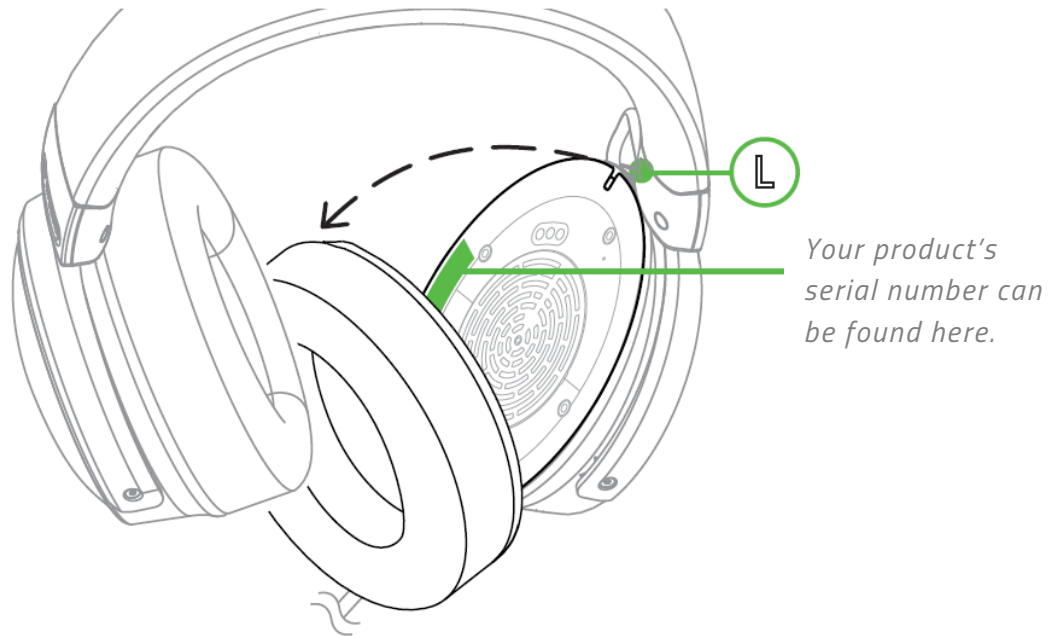
- Windows® 10 64-bit (or higher)
- Internet connection for software installation

**i** *Compatible with PC / Mac / PS4 / PS5 / Switch and Xbox (wired).*

---

## LET'S GET YOU COVERED

You've got a great device in your hands, complete with a 2-year limited warranty coverage. Now maximize its potential and score exclusive Razer benefits by registering at [razerid.razer.com](https://razerid.razer.com)



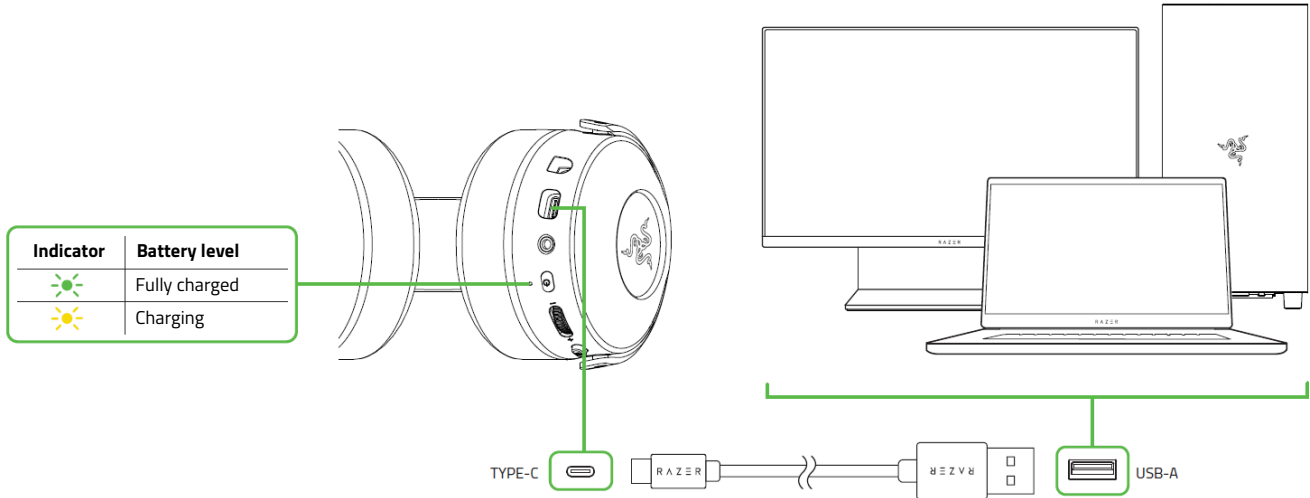
Got a question? Ask the Razer Support Team at [support.razer.com](https://support.razer.com)

---

## GETTING STARTED

### CHARGING YOUR HEADSET

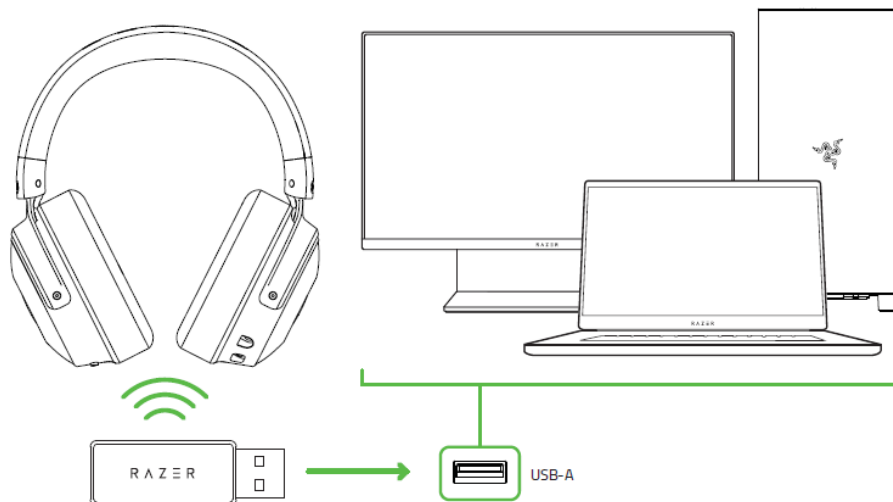
Connect the Gaming Headset and USB Wireless Transceiver to a powered USB port using the charging cable. For best results, please fully charge the headset before using it for the first time. A depleted headset will fully charge in about **3** hours.



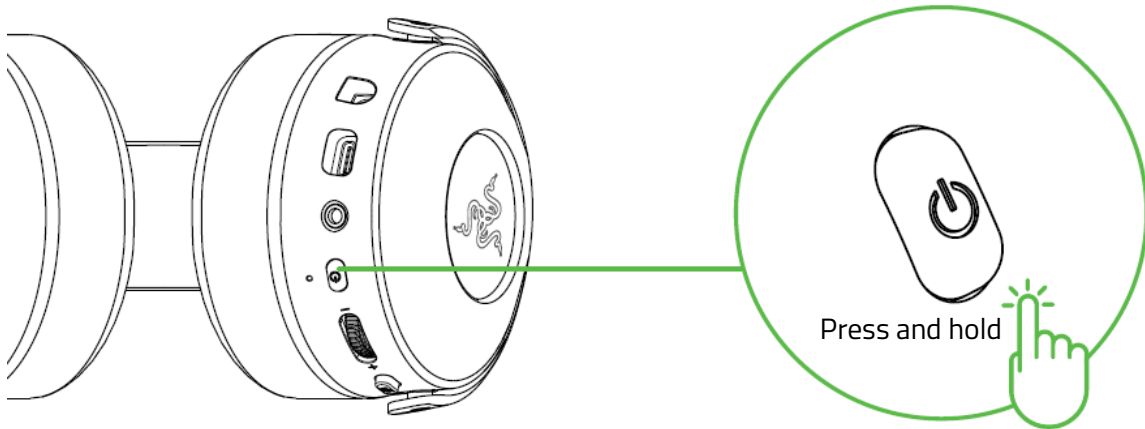
### CONNECTING YOUR HEADSET

#### A. TO YOUR PC

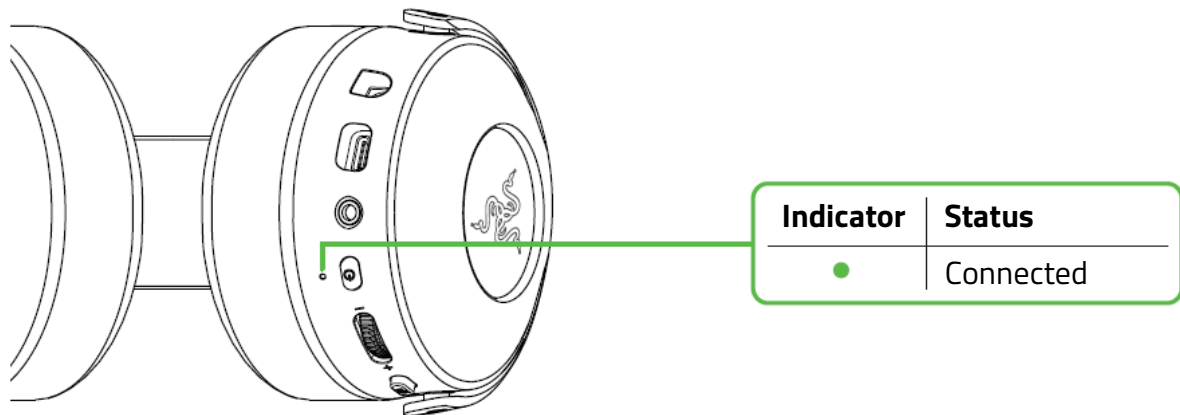
1. Plug the wireless USB dongle to any of the USB-A ports on your PC.



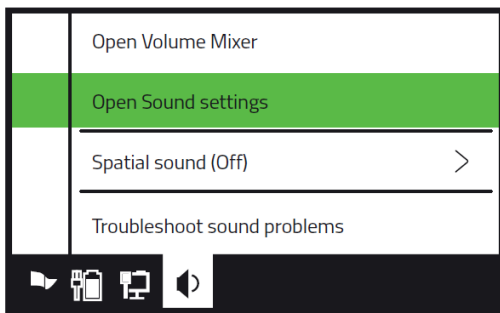
2. Press and hold the power button until the status indicator is lit, or until you hear a tone.



3. Wait until the status indicator briefly becomes static green indicating that the headset is now connected to the wireless USB dongle.



4. On your PC, right-click on the sound icon on the system tray, and then select **Open Sound settings**.



- Under **Sound**, set the Gaming Headset and USB Wireless Transceiver as the default **Output** and **Input** device.

## Sounds

### Output

Choose your output device



### Input

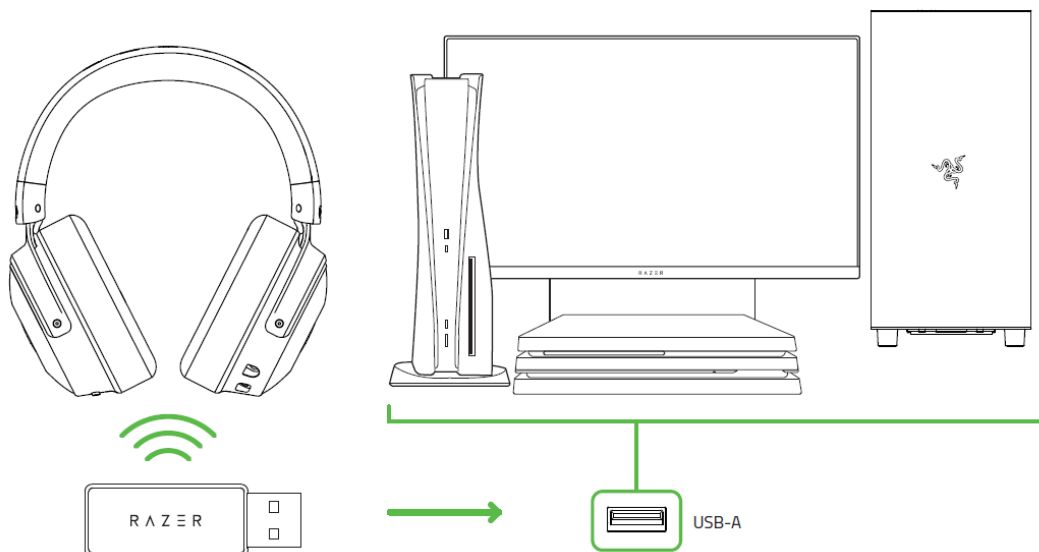
Choose your input device

- Use the Razer Synapse\* app to customize your headset's lighting and other features for an immersive gaming experience that's truly yours.

*\*Install Razer Synapse when prompted or download the installer from [razer.com/synapse](https://razer.com/synapse).*

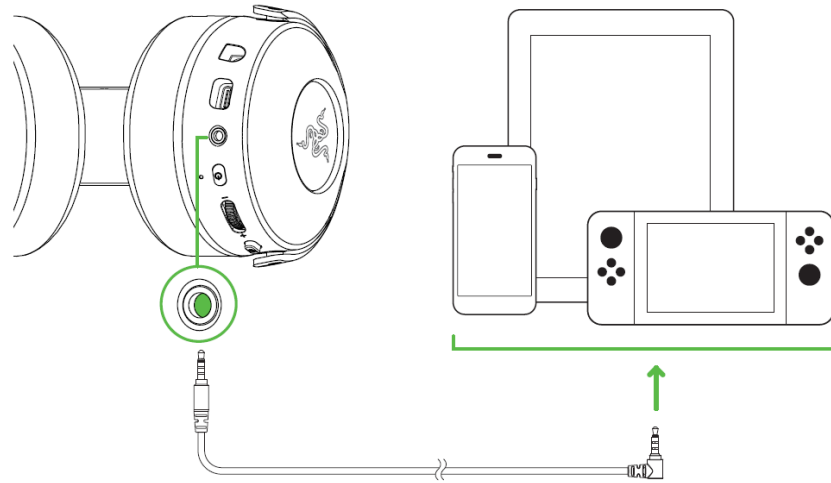
### B. TO OTHER DEVICES VIA USB-A PORT

Plug the wireless USB dongle to your device and make sure the Gaming Headset and USB Wireless Transceiver is the default input and output audio device.



### C. TO DEVICES VIA 3.5MM AUDIO + MIC JACK

If your device has a 3.5mm audio + mic combined jack, simply plug the 3.5mm combo cable from your headset's microphone jack to your device's audio jack.



### ACTIVATE THX SPATIAL AUDIO\*

Unleash the full potential of the Gaming Headset and USB Wireless Transceiver by enabling 360° positional audio for a natural and lifelike experience through Razer Synapse.



*\*Only available on Windows 10 64-bit.*

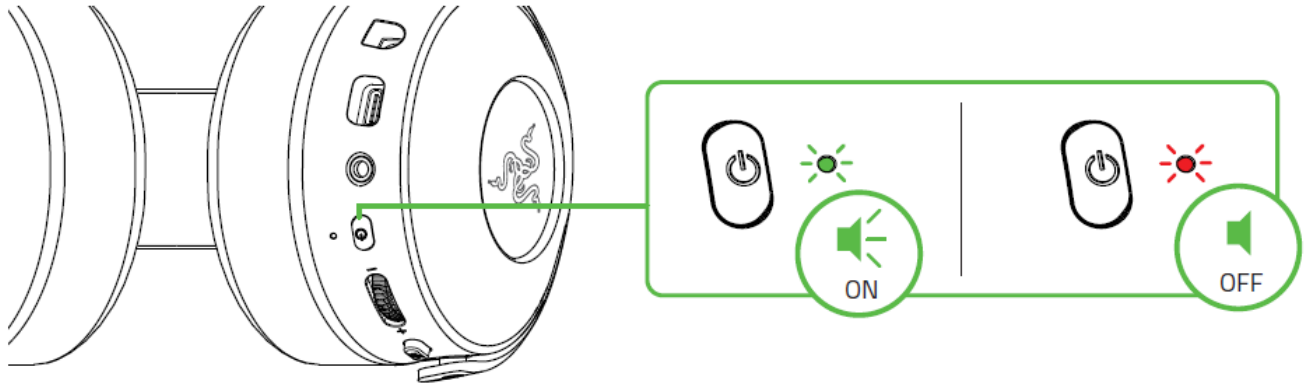


---

## USING YOUR HEADSET

### POWER BUTTON

Power on or off the headset by holding the Power button until the status indicator is on; and holding the Power button again to turn off. Two distinct tones will help notify you that the headset is powered on or off.

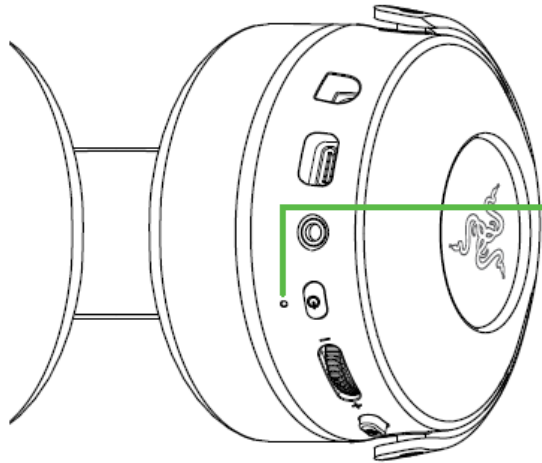



Other power button functions are available when the headset is powered on and connected to your device. These functions operate based on your device's current activity.

Single press	Play/pause
Double press	Skip track
Triple press	Previous track

## BATTERY LEVEL

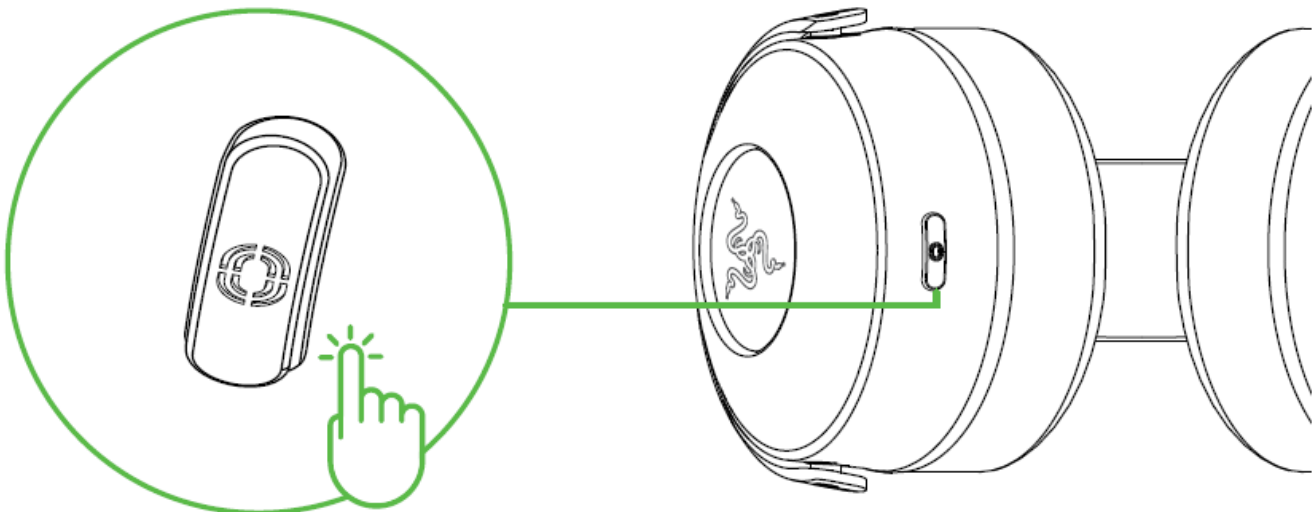
When unplugged and powered on, the status indicator will show the connection and battery status. While in use, you'll hear a tone when the headset needs to be recharged; during such time, the indicator will continue showing the battery level until you charge the headset.



Indicator	Prompt	Battery Level
	Tone	Low

## HYPERSENSE BUTTON

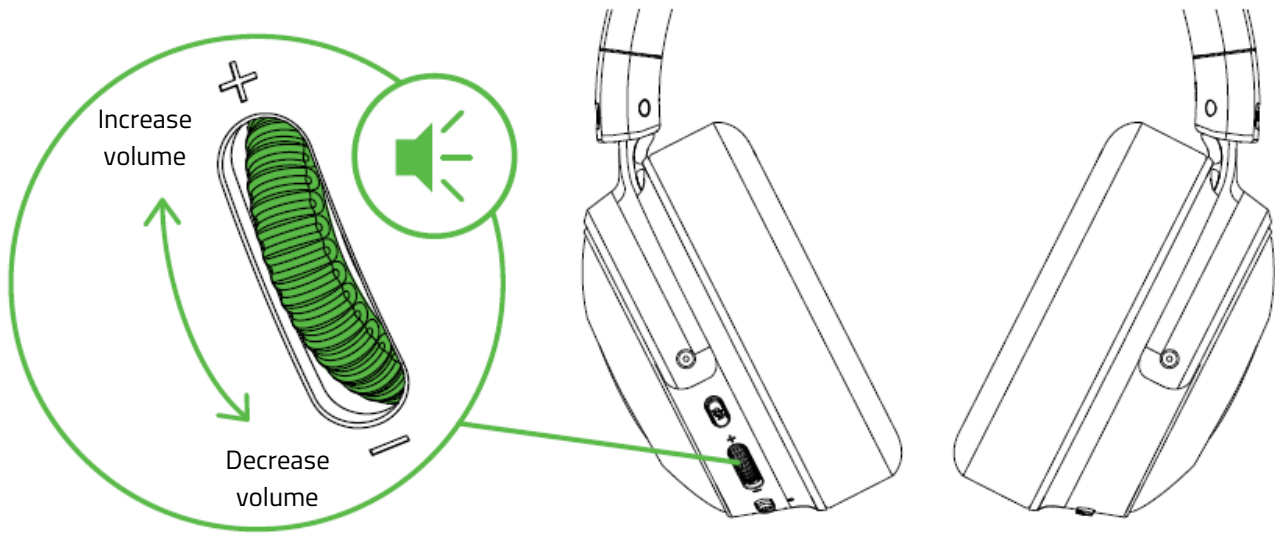
With Razer HyperSense enabled, your headset will produce vibrations that flow in the direction of different sounds with varying intensities, making you hyper aware in your game. Simply press the HyperSense button to cycle through Low intensity, Medium intensity, High intensity, and Disable HyperSense. A distinct tone will be heard when cycling through its settings.



**i** *By default, this feature is enabled and set to Medium intensity.*

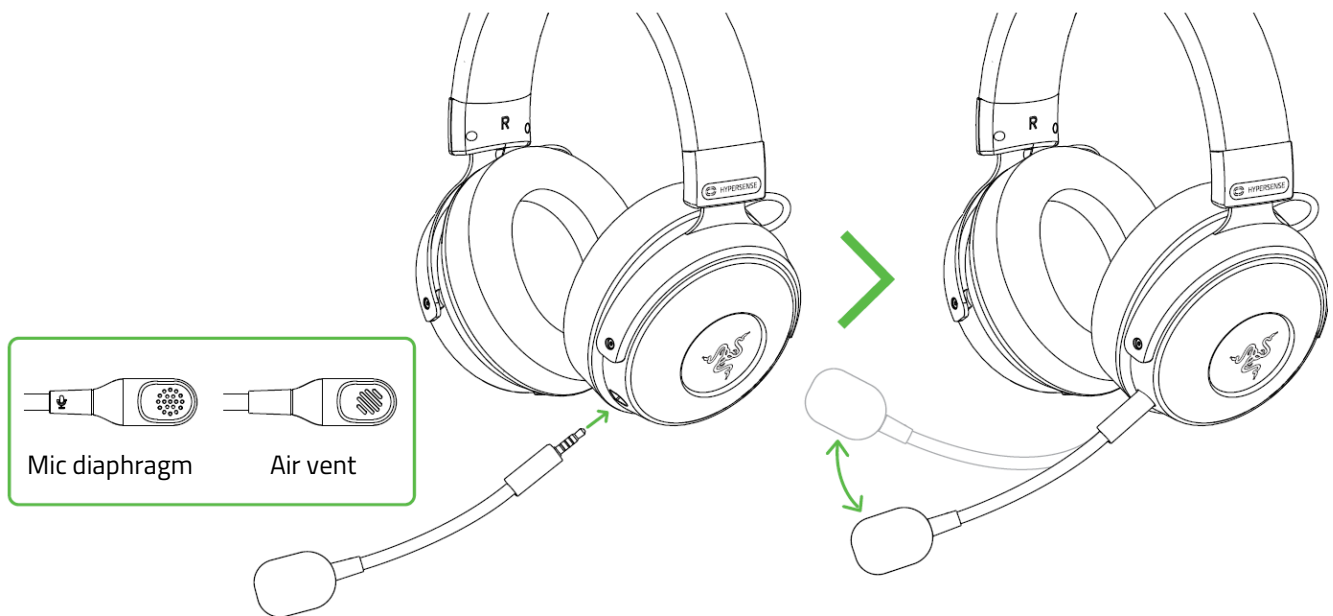
## VOLUME CONTROL WHEEL

Rotate the volume control wheel to increase or decrease the volume.

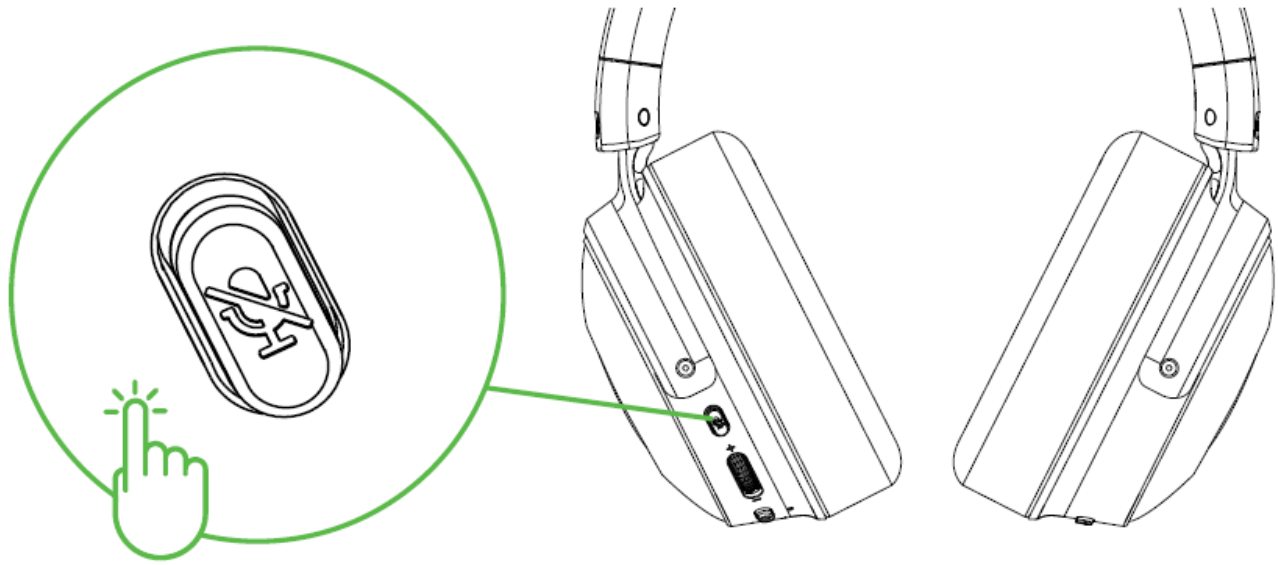


## RAZER™ HYPERCLEAR SUPERCARDIOID MIC

Plug the Razer™ HyperClear Supercardioid Mic to the headphone and bend until it is parallel to your mouth. Make sure the mic diaphragm is in front and the air vent is facing away from your mouth.

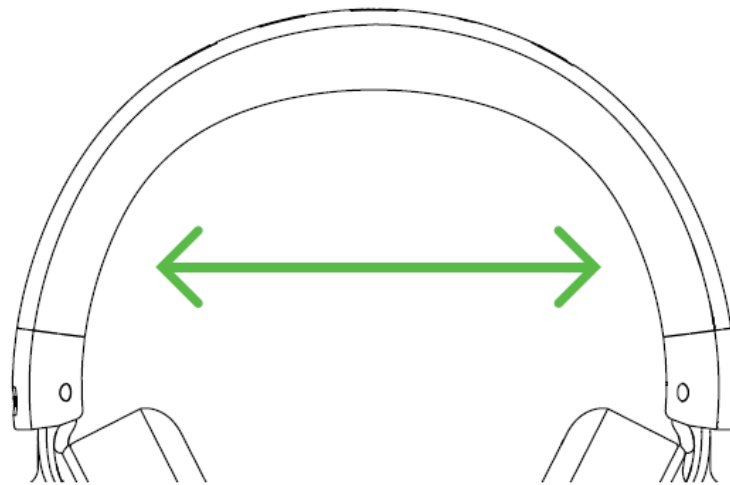


Press the mic mute button to mute or unmute the microphone.



## COMFORT

It's recommended to gently stretch the headset before placing it over your head to minimize headband stress however, don't stretch the headset beyond its limits.



Find out more about your new headset at [support.razer.com](https://support.razer.com).

---

## SAFETY AND MAINTENANCE

### SAFETY GUIDELINES

In order to achieve maximum safety while using your Gaming Headset and USB Wireless Transceiver, we suggest that you adopt the following guidelines:

Should you have trouble operating the device properly and troubleshooting does not work, unplug the device and contact the Razer hotline or go to [support.razer.com](https://support.razer.com) for assistance.

Do not take apart the device (doing so will void your warranty) and do not attempt to operate it under abnormal current loads.

Keep the device away from liquid, humidity or moisture. Operate the device only within the specific temperature range of 0°C (32°F) to 40°C (104°F). Should the temperature exceed this range, unplug and/or switch off the device in order to let the temperature stabilize to an optimal level.

The device isolates external ambient sounds even at low volumes, resulting in lowered awareness of your external surroundings. Please remove the device when engaging in any activities that requires active awareness of your surroundings.

Listening to excessively loud volumes over extended periods of time can damage your hearing. Furthermore, legislation of certain countries permits a maximum sound level of 86db to affect your hearing for 8 hours a day. We therefore recommend that you reduce the volume to a comfortable level when listening for prolonged periods of time. Please, take good care of your hearing.

### MAINTENANCE AND USE

The Gaming Headset and USB Wireless Transceiver requires minimum maintenance to keep it in optimum condition. Once a month we recommend you clean it using a soft cloth or cotton swab to prevent dirt buildup. Do not use soap or harsh cleaning agents.

---

## LEGALESE

### **COPYRIGHT AND INTELLECTUAL PROPERTY INFORMATION**

©2021 Razer Inc. All rights reserved. Razer, the triple-headed snake logo, Razer logo, “For Gamers. By Gamers.” and “Razer Chroma” are trademarks or registered trademarks of Razer Inc. and/or affiliated companies in the United States and other countries. Actual product may differ from pictures. All other trademarks are the property of their respective owners. Warranty not valid outside of product’s intended region.

Windows and the Windows logo are trademarks or registered trademarks of the Microsoft group of companies.

Razer Inc. (“Razer”) may have copyright, trademarks, trade secrets, patents, patent applications, or other intellectual property rights (whether registered or unregistered) concerning the product in this guide. Furnishing of this guide does not give you a license to any such copyright, trademark, patent or other intellectual property right. The Gaming Headset and USB Wireless Transceiver (the “Product”) may differ from pictures whether on packaging or otherwise. Razer assumes no responsibility for such differences or for any errors that may appear. Information contained herein is subject to change without notice.

### **LIMITED PRODUCT WARRANTY**

For the latest and current terms of the Limited Product Warranty, please visit [razer.com/warranty](https://www.razer.com/warranty).

### **LIMITATION OF LIABILITY**

Razer shall in no event be liable for any lost profits, loss of information or data, special, incidental, indirect, punitive or consequential or incidental damages, arising in any way out of distribution of, sale of, resale of, use of, or inability to use the Product. In no event shall Razer’s liability exceed the retail purchase price of the Product.

### **GENERAL**

These terms shall be governed by and construed under the laws of the jurisdiction in which the Product was purchased. If any term herein is held to be invalid or unenforceable, then such term (in so far as it is invalid or unenforceable) shall be given no effect and deemed to be excluded without invalidating any of the remaining terms. Razer reserves the right to amend any term at any time without notice.

## FCC STATEMENT

This equipment has been tested and found to comply with the limits for a Class B digital device, pursuant to part 15 of the FCC Rules. These limits are designed to provide reasonable protection against harmful interference in a residential installation. This equipment generates uses and can radiate radio frequency energy and, if not installed and used in accordance with the instructions, may cause harmful interference to radio communications. However, there is no guarantee that interference will not occur in a particular installation. If this equipment does cause harmful interference to radio or television reception, which can be determined by turning the equipment off and on, the user is encouraged to try to correct the interference by one or more of the following measures:

- Reorient or relocate the receiving antenna.
- Increase the separation between the equipment and receiver.
- Connect the equipment into an outlet on a circuit different from that to which the receiver is connected.
- Consult the dealer or an experienced radio/TV technician for help.

## FCC RADIATION EXPOSURE STATEMENT

This device complies with FCC radiation exposure limits set forth for an uncontrolled environment and it also

complies with Part 15 of the FCC RF Rules. This equipment must not be co-located or operating in conjunction

with any other antenna or transmitter. End-users and installers must be provide with antenna installation

instructions and consider removing the no-collocation statement.

This device complies with Part 15 of the FCC Rules. Operation is subject to the following two conditions:

1. this device may not cause harmful interference, and
2. this device must accept any interference received, including interference that may cause undesired operation.

## CAUTION!

Any changes or modifications not expressly approved by the party responsible for compliance could void the user's authority to operate the equipment.

## FCC RF Exposure Information and Statement

The SAR limit of USA (FCC) is 1.6 W/kg averaged over one gram of tissue. This device has also been tested against this SAR limit.





## CANADA STATEMENT

This device contains licence-exempt transmitter(s)/receiver(s) that comply with Innovation, Science and Economic Development Canada's licence-exempt RSS(s). Operation is subject to the following two

conditions:

1. This device may not cause interference.
2. This device must accept any interference, including interference that may cause undesired operation of the device.

L'émetteur/récepteur exempt de licence contenu dans le présent appareil est conforme aux CNR d'Innovation, Sciences et Développement économique Canada applicables aux appareils radio exempts de licence.

L'exploitation est autorisée aux deux conditions suivantes :

1. L'appareil ne doit pas produire de brouillage;
2. L'appareil doit accepter tout brouillage radioélectrique subi, même si le brouillage est susceptible d'en compromettre le fonctionnement.

Le dispositif rencontre l'exemption des limites courantes d'évaluation dans la section 2.5 de RSS 102 et la conformité à l'exposition de RSS-102 rf, utilisateurs peut obtenir l'information canadienne sur l'exposition et la conformité de rf.

## NOTICE FOR CANADA

This Class B digital apparatus complies with Canadian ICES-003.

Cet appareil numérique de la classe B est conforme à la norme NMB-003 du Canada.

CANADIAN CLASS B STATEMENT: This digital apparatus does not exceed the Class B limits for radio noise emissions from digital apparatus as set out in the radio interference regulations of Industry Canada.

Le présent appareil numérique n'émet pas de bruits radioélectriques dépassant les limites applicables aux

appareils numériques de Classe B prescrites dans le règlement sur le brouillage radioélectrique édicté par Industrie Canada.

## CANADA SAR

This transmitter must not be co-located or operating in conjunction with any other antenna or transmitter. This

equipment should be installed and operated with a minimum distance of 5mm between the radiator and your

body. Cet émetteur ne doit pas être Co-place ou ne fonctionnant en même temps qu'aucune autre antenne ou émetteur. Cet équipement devrait être installé et actionné avec une distance minimum de 5mm entre le radiateur et votre corps



## STATEMENT OF COMPLIANCE WITH EU DIRECTIVE

ENGLISH

STATEMENT OF COMPLIANCE WITH EU DIRECTIVE

Hereby, Razer (Europe) GmbH, declares that this Razer Kraken V3 Pro (Gaming Headset Model: RZ04-0346 and USB Wireless Transceiver Model: RC30-0346) is in compliance with the essential requirements and other relevant provisions of Directive 2014/53/EU & 2015/863/EU.



Li-ion

This equipment is for home use, and has acquired electromagnetic conformity registration, so it can be used not only in residential areas, but also other areas.



**EU PRODUCT AND BATTERY  
DISPOSAL INFORMATION**

### BATTERY WARNING

The Razer Kraken V3 Pro ( contains a Li-ion rechargeable battery. In general, the life expectancy of such batteries is dependent upon usage. If you suspect that the Li-ion rechargeable battery inside the Razer Kraken V3 Pro ( may be drained (has a low charge), try charging it. Caution: Do not open, mutilate, or expose to conducting materials (metal), moisture, liquid, fire, or heat. Doing so may cause batteries to leak or explode, resulting in personal injury. Do not leave the rechargeable battery discharged or unused for extended periods. Battery life varies with usage.

### BATTERY INFO

Risk of fire or explosion or defeat the safeguard of equipment if the battery is replaced by an incorrect type. Replace only with the same or equivalent type. Disposal of a battery into fire or a hot oven, or mechanically crushing or cutting of a battery, that can result in an explosion.

[Gaming Headset]

Radio Frequency: 2.4 GHz SRD

Operating Frequency: 2402-2480 MHz

Output power: <6 dBm

[USB Wireless Transceiver]

Radio Frequency: 2.4 GHz SRD

Operating Frequency: 2402-2480 MHz

Output power: <12 dBm

