

Date: 20 September 2018

**USER MANUAL FOR GAMING HEADSET
SYSTEM MODEL RZ04-0269, CONTAINS
Gaming Headset MODEL RC30-026901 AND
WIRELESS USB TRANSCEIVER RC30-026902**

PACKAGE CONTENTS / SYSTEM REQUIREMENTS

PACKAGE CONTENTS

- Gaming Headset (System model RZ04-0269, contains Gaming Headset model RC30- 0268901 and USB WIRELESS TRANSCIVER RC30-026902)
- USB wireless transceiver
- Charging cable
- Important Product Information Guide

SYSTEM REQUIREMENTS

HARDWARE REQUIREMENTS

- Devices with a USB port

RAZER SYNAPSE 3 REQUIREMENTS

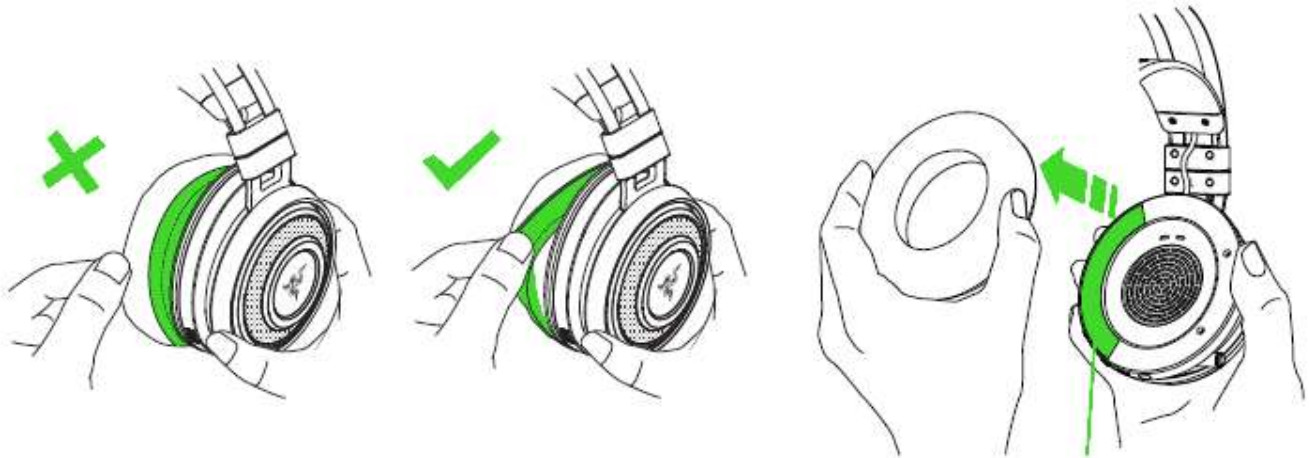
- Windows® 7 64-bit (or higher)
- Internet connection
- 500 MB of free hard disk space

2. REGISTRATION / TECHNICAL SUPPORT

REGISTRATION

Register your product online at razerid.razer.com/warranty to get real-time information on your product's warranty status.

If you haven't registered for a Razer ID yet, register now at razerid.razer.com to get a wide range of Razer benefits.

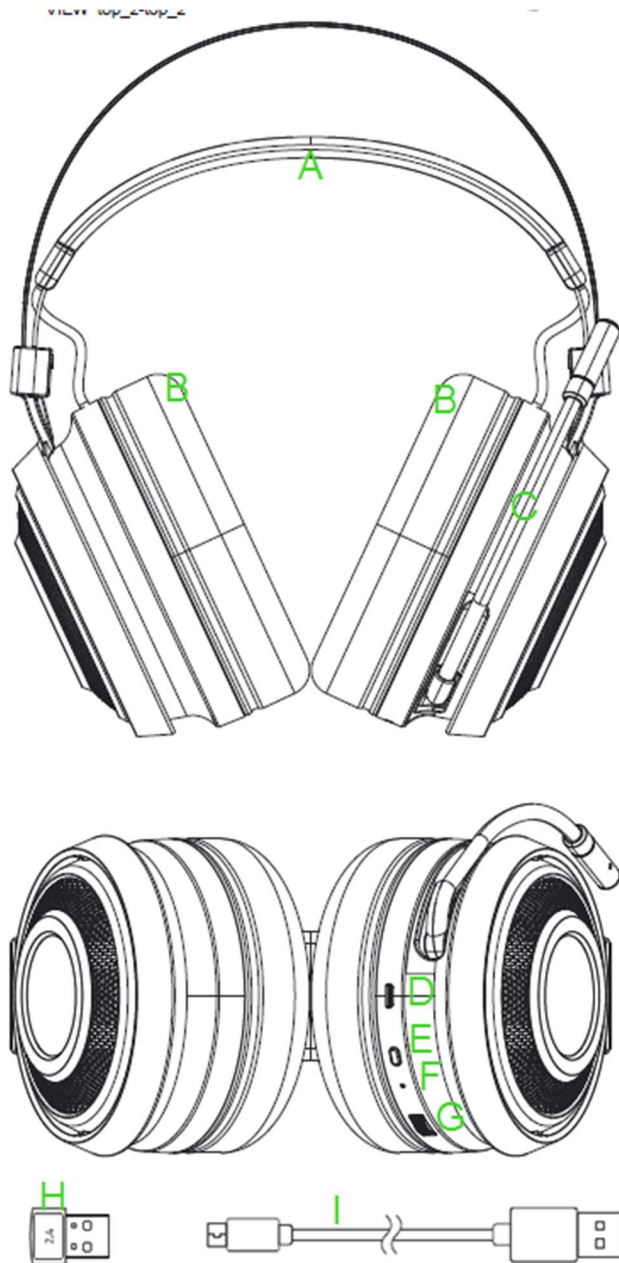


Your product's serial number can be found underneath the ear cushion, as shown here.

TECHNICAL SUPPORT

- 1 year limited manufacturer's warranty
- Free online technical support at support.razer.com

DEVICE LAYOUT



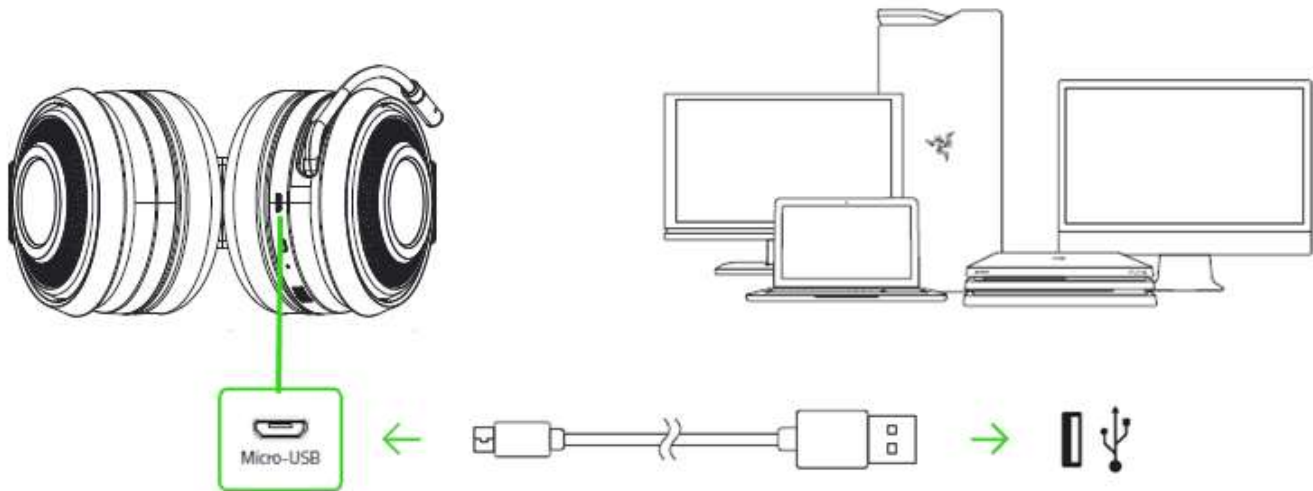
- A. Auto-adjusting headband
- B. Leatherette ear cushions
- C. Flip microphone
- D. Charging port
- E. Power button

- F. Status indicator
- G. Volume control
- H. USB wireless transceiver
- I. Charging cable

SETTING UP YOUR RAZER NARI ESSENTIAL

CHARGING YOUR HEADSET

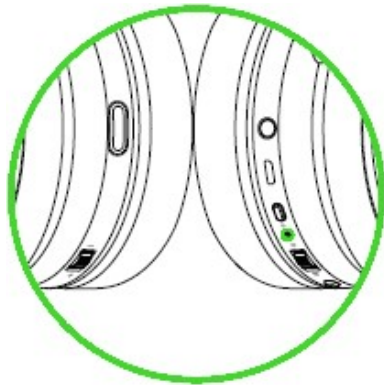
Connect your Razer Nari Essential to a powered USB port using the charging cable.









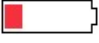


For best results, please fully charge your headset before using it for the first time. A depleted unit will fully charge in about **4 hours**.

UNDERSTANDING THE CHARGING NOTIFICATIONS

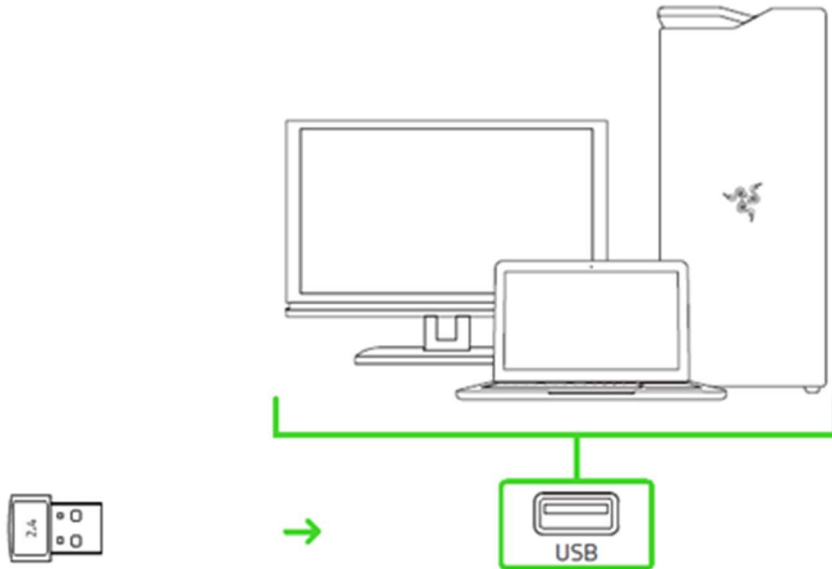
Your Razer Nari Essential will send out notifications depending on its current charging status, as shown here:



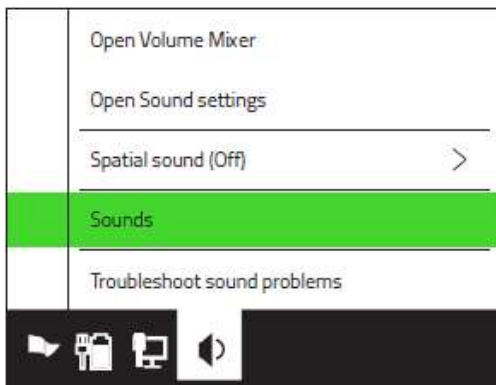
STATUS INDICATOR	SOUND INDICATOR	DESCRIPTION
Static red 	None 	Charging/low battery 
Static green 	None 	Fully charged/full battery 
Blinking red 	Warning tone 	Battery is critically low 

CONNECTING TO YOUR PC

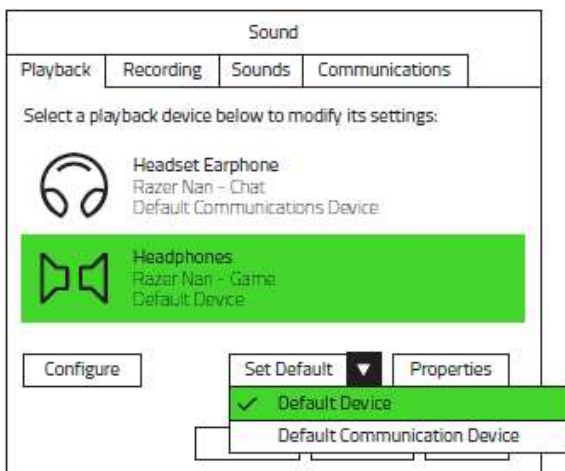
1. Plug the USB wireless transceiver to your PC.



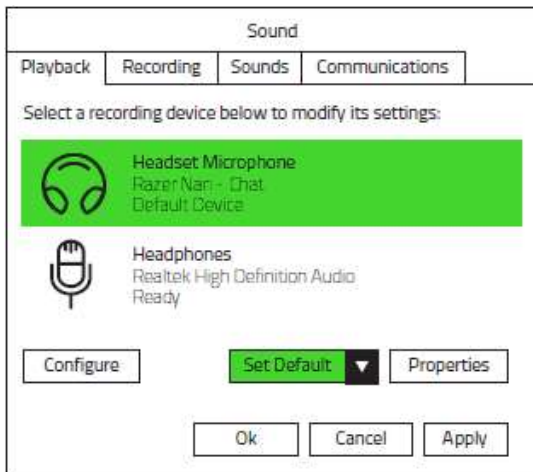
2. Right-click on the sound icon on the system tray, and then select **Sounds**.



3. On the Playback tab, select **Razer Nari Essential** from the list, and then set it as the **Default Device**.

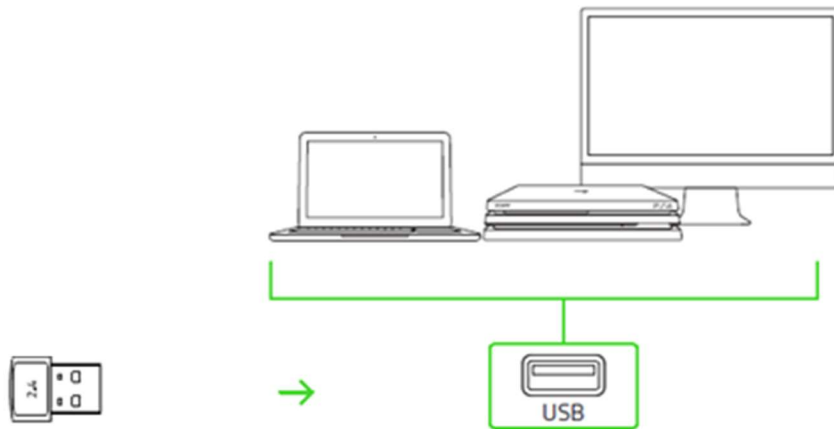


4. In the Recording tab, select **Razer Nari Essential** from the list and click the **'Set Default'** button.



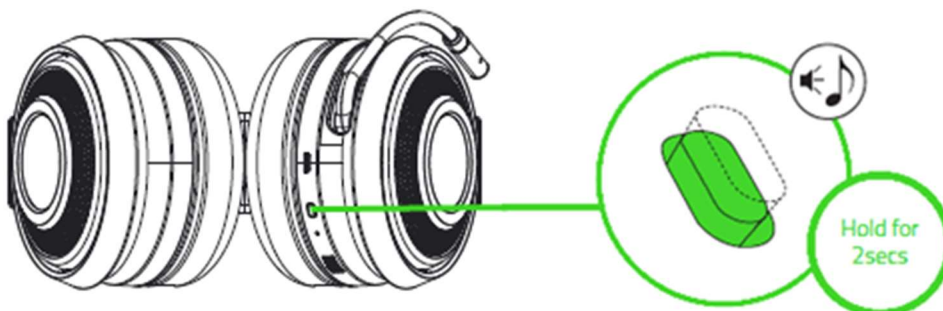
CONNECTING TO OTHER DEVICES

1. Plug the USB wireless transceiver to your device and make sure your Razer Nari Essential is the default input and output audio device.






CONNECTING TO YOUR HEADSET

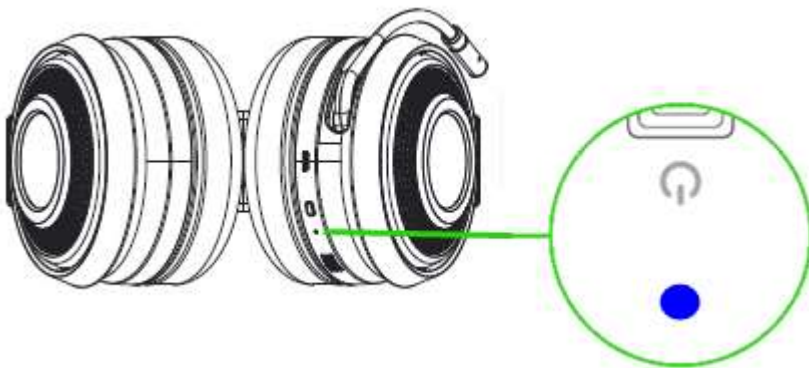
1. Power on your headset by holding the power button for at least 3 seconds or until you hear 2 short beeps.



2. Wait until the status indicator is static blue.

NOTIFICATION		STATUS
Blinking		Pairing
Rapid blinking		Connecting
Static		Connected

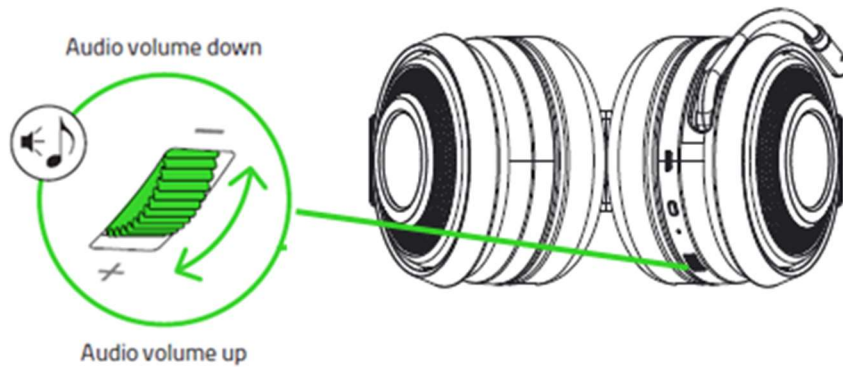
Note: Keep your headset within close proximity of the USB wireless transceiver for a faster and more stable connection. If your headset fails to connect, it will automatically power off after a few minutes.



USING YOUR RAZER NARI ESSENTIAL

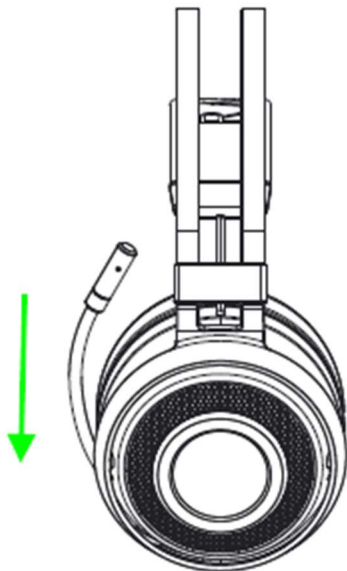
USING THE VOLUME CONTROL

Rotate the volume control to increase or decrease the volume.

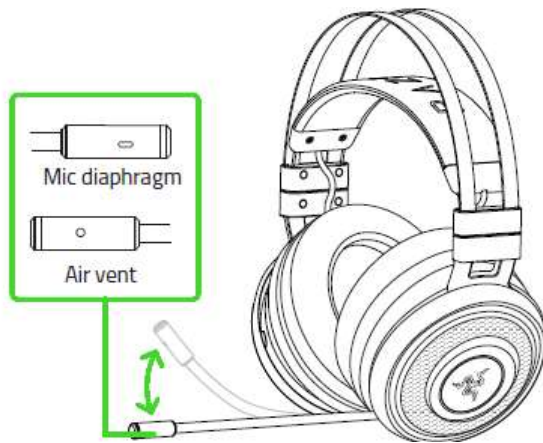


USING THE FLIP MICROPHONE

To enable the mic, pull it down until you feel a click and push it up until you feel the same click to disable the mic.

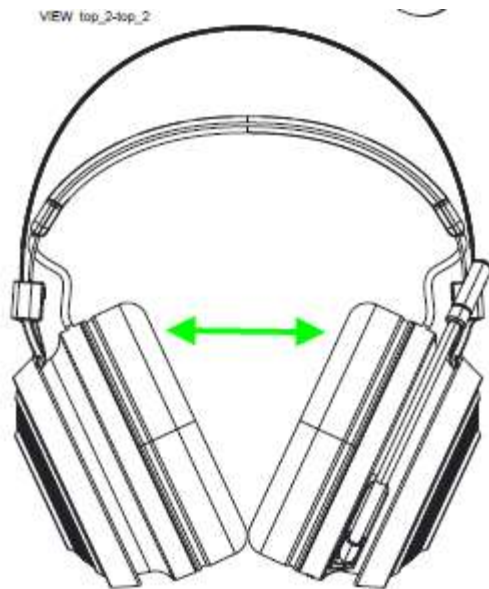


Bend the mic until it is parallel to your mouth, then adjust the length as preferred. Make sure the mic diaphragm is in front and the air vent is facing away from your mouth.

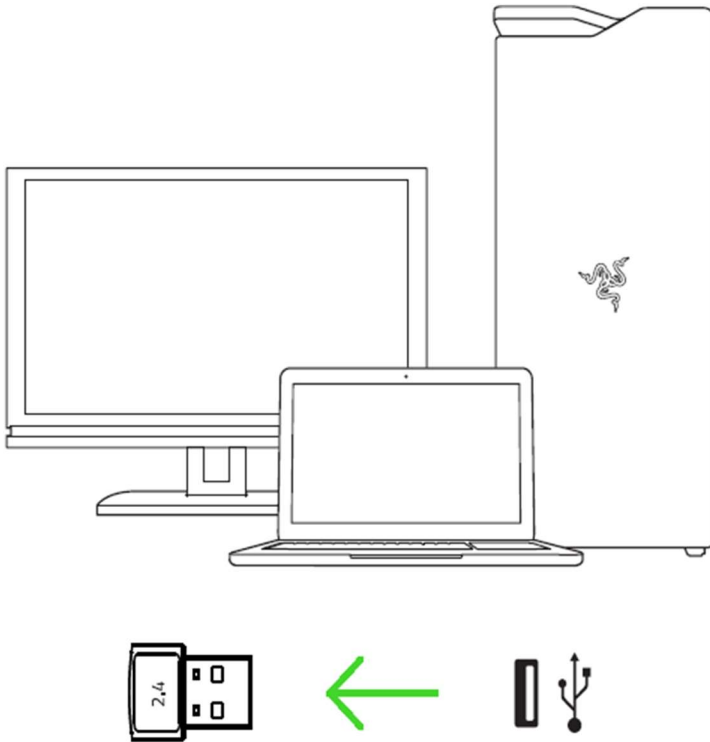


EXTENDING YOUR HEADSET'S LIFESPAN

We recommend stretching the headset gently apart before placing them over your head to minimize headband stress. However, please avoid overstretching the headset beyond its technical limits.



INSTALLING RAZER SYNAPSE 3 FOR YOUR RAZER NARI ESSENTIAL



Step 1: Make sure your Razer device is connected to the USB port of your computer.

Step 2: Install Razer Synapse 3 when prompted* or download the installer from razer.com/synapse.

Step 3: Create your Razer ID or log in using an existing account.

**Applicable for Windows 8 or later.*

Please refer to the Online Master Guide at support.razer.com for in-depth instructions on how to configure and use your Razer Nari Essential.

REGULATORY

FCC NOTICE

This equipment has been tested and found to comply with the limits for a Class B digital device, pursuant to part 15 of the FCC Rules. These limits are designed to provide reasonable protection against harmful interference in a residential installation. This equipment generates, uses and can radiate radio frequency energy and, if not installed and used in accordance with the instructions, may cause harmful interference to radio communications. However, there is no guarantee that interference will not occur in a particular installation. If this equipment does cause harmful interference to radio or television reception, which can be determined by turning the equipment off and on, the user is encouraged to try to correct the interference by one or more of the following measures:

- Reorient or relocate the receiving antenna.
- Increase the separation between the equipment and the receiver.
- Connect the equipment into an outlet on a circuit different from that to which the receiver is connected.
- Consult the dealer or an experienced radio TV technician for help.

For more information, refer to the online help system on razer.com.

FCC CAUTION STATEMENT

This device complies with Part 15 of the FCC Rules. Operation is subject to the following two conditions:

1. This device may not cause harmful interference, and
2. This device must accept any interference received, including interference that may cause undesired operation.

Caution

Any changes or modifications not expressly approved by the party responsible for compliance could void the user's authority to operate the equipment.



STATEMENT OF COMPLIANCE WITH EU DIRECTIVE

ENGLISH

STATEMENT OF COMPLIANCE WITH EU DIRECTIVE

Hereby, Razer (Europe) GmbH, declares that this Razer Nari Essential (USB Wireless Transceiver RC30-026902 and Gaming Headset RC30-026901) is in compliance with the essential requirements and other relevant provisions of Directive 2014/53/EU, 2012/19/EU and 2011/65/EU.

Gaming Headset:

Radio Frequency: 2.4GHz SRD
Operating Frequency: 2403.35-2477.35 MHz
Max Output power: 6.32 dBm

The full Declaration of Conformity can be requested via the following:

Company: Razer (Europe) GmbH
Address: Essener Bogen 23, 22419 Hamburg, Germany
E-mail: compliance@razer.com
Internet address: <https://www.razer.com>

USB WIRELESS TRANSCEIVER:

Radio Frequency: 2.4GHz SRD
Operating Frequency: 2403.35-2477.35 MHz
Max Output power: 4.65 dBm

SAFETY AND MAINTENANCE

SAFETY GUIDELINES

In order to achieve maximum safety while using your Razer Nari Essential, we suggest that you adopt the following guidelines:

Should you have trouble operating the device properly and troubleshooting does not work, unplug the device and contact the Razer hotline or go to support.razer.com for support.

Do not take apart the device (doing so will void your warranty) and do not attempt to operate it under abnormal current loads.

Keep the device away from liquid, humidity or moisture. Operate the device only within the specific temperature range of 0°C (32°F) to 40°C (104°F). Should the temperature exceed this range, unplug and/or switch off the device in order to let the temperature stabilize to an optimal level.

The device isolates external ambient sounds even at low volumes, resulting in lowered awareness of your external surroundings. Please remove the device when engaging in any activity that requires active awareness of your surroundings.

Listening to excessively loud volume over an extended period of time can damage your hearing. Furthermore, legislation of certain countries permits only a maximum sound level of 86dB for 8 hours a day. We therefore recommend that you reduce the volume to a comfortable level when listening for prolonged periods of time. Please, take good care of your hearing.

MAINTENANCE AND USE

The Razer Nari Essential requires minimum maintenance to keep it in optimum condition. Once a month we recommend you unplug the device from the computer and clean it using a soft cloth or cotton swab to prevent dirt buildup. Do not use soap or harsh cleaning agents.

Canada Statement

This device complies with Industry Canada's licence-exempt RSSs. Operation is subject to the following two conditions:

- (1) This device may not cause interference; and
- (2) This device must accept any interference, including interference that may cause undesired operation of the device.

Le présent appareil est conforme aux CNR d'Industrie Canada applicables aux appareils radio exempts de licence. L'exploitation est autorisée aux deux conditions suivantes :

- (1) l'appareil ne doit pas produire de brouillage;
- (2) l'utilisateur de l'appareil doit accepter tout brouillage radioélectrique subi, même si le brouillage est susceptible d'en compromettre le fonctionnement.

The device meets the exemption from the routine evaluation limits in section 2.5 of RSS 102 and compliance with RSS-102 RF exposure, users can obtain Canadian information on RF exposure and compliance.

Le dispositif rencontre l'exemption des limites courantes d'évaluation dans la section 2.5 de RSS 102 et la conformité à l'exposition de RSS-102 rf, utilisateurs peut obtenir l'information canadienne sur l'exposition et la conformité de rf.