



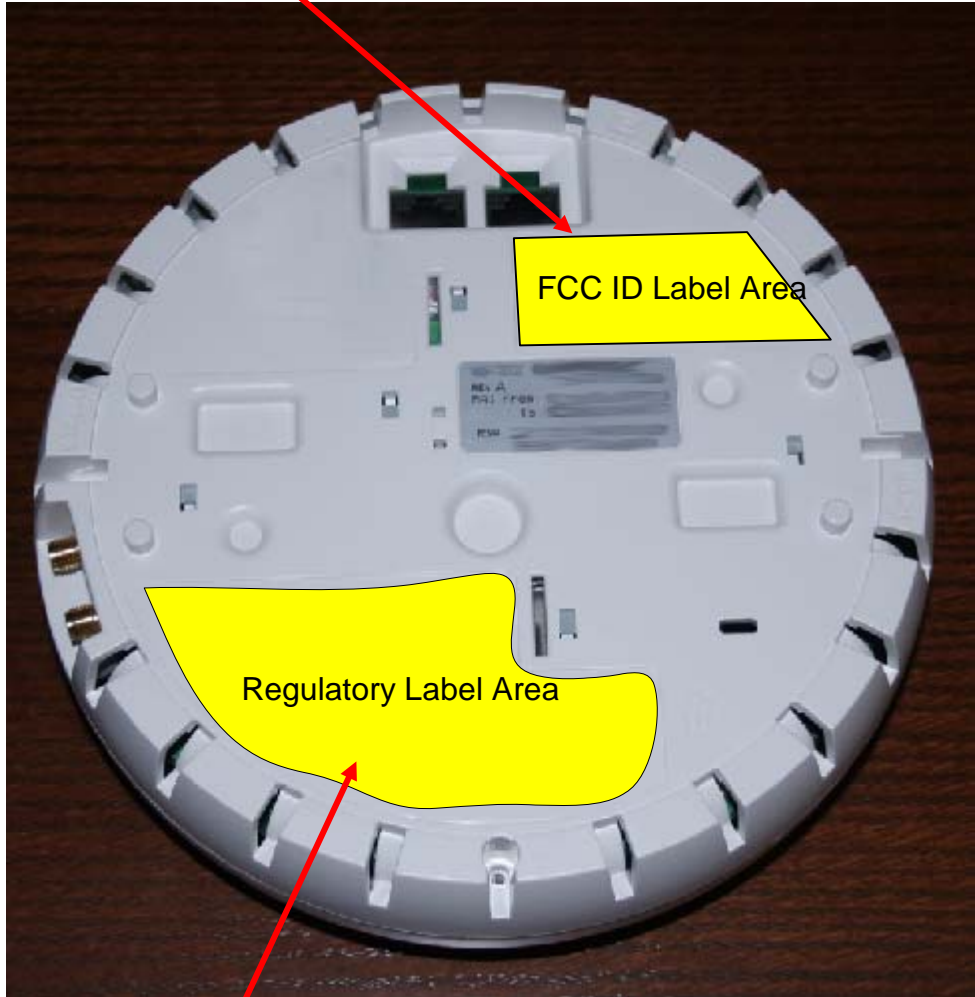
FCC Part 15 Certification Application

Regulatory Label Location IEEE 802.11 A/B/G Access Point. Models: 2330B

Prepared by:

David Waitt
21565 Mary Alice Way
Los Gatos, CA 95033
david@waitt.us
(408) 832 7053

FCC ID: RVW2330B
IC: 332R-2330B
FC



NORTEL
Model Name: 2330B
See Manual Before Use


Dual mode 2.4GHz / 5GHz Access Point

CE

UL Recognized Component
UL Product Safety

ICES-003 Class B
NMB-003 Class B

This device complies with Part 15 of the FCC Rules. Operation is subject to the following two conditions: (1) this device may not cause harmful interference, and (2) this device must accept any interference received, including interference that may cause undesired operation.

INPUT: 48V , 400mA

B1

Nortel Access point, Bottom view, showing location of FCC / IC ID label