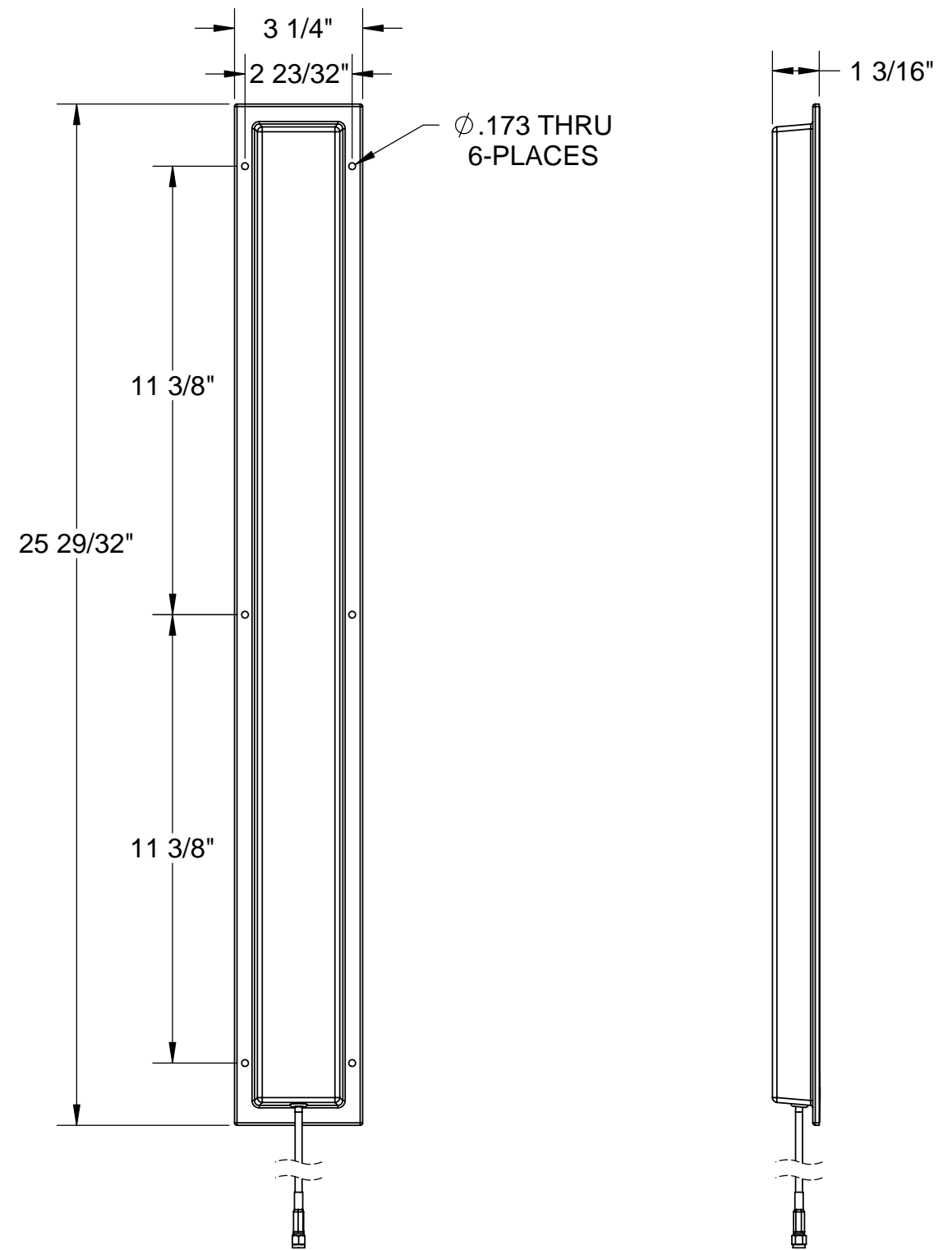


8 7 6 5 4 3 2 1

REVISIONS				
REV.	ECR #	DESCRIPTION	CHANGED BY/DATE	APPROVED BY/DATE
AA		INITIAL RELEASE	SWJ 4-18-07	SWJ 4-18-07




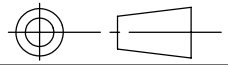
Parameter	Performance
Antenna Part Number	S241290PN36RSM
Nortel Part Number	DR4000086E6
Frequency	2400-2500 MHz
Gain	11.5 dBi Min
Polarization	Vertical Linear
VSWR	2.0:1 Max
Horizontal 3 dB Beamwidth	90 Degrees
Vertical 3 dB Beamwidth	12 Degrees
Front to Back Ratio	25 dB
Cable Length	36"
RF Connector	Rev SMA(m)
Power	50 W

D  
C  
B  
A

D  
C  
B  
A

The component(s), including any plating or coatings, supplied per this drawing must be compliant with EU Directive 2002/95/EC (RoHS Directive).

UNLESS OTHERWISE NOTED, THIS DOCUMENT CONTAINS CUSHCRAFT CONFIDENTIAL INFORMATION. REPRODUCTION, USE, DISCLOSURE OR TRANSMITTAL OF ALL OR ANY PART OF THIS DOCUMENT IS PROHIBITED EXCEPT TO THE EXTENT APPROVED IN WRITING BY AN AUTHORIZED REPRESENTATIVE OF CUSHCRAFT CORPORATION. CUSHCRAFT RESERVES ALL RIGHTS UNDER PATENTS, TRADEMARKS, COPYRIGHTS AND TRADE SECRETS. COPYRIGHT, CUSHCRAFT CORPORATION 2007, ALL RIGHTS RESERVED.

MATERIAL: N/A		THIRD ANGLE PROJECTION		 <small>48 PERIMETER ROAD, MANCHESTER, NH 03103 U.S.A.</small>	
FINISH: N/A		 DO NOT SCALE DRAWING			
APPROVALS		DATE		TITLE:	
DRAWN BY	S JOHNSON	4-18-07		<b>S241290PN36RSM</b> <b>MOUNTING &amp; OUTLINE</b>	
PROJ. ENG.	R LITTLEFIELD	5-7-07			
ENG. MGR.	A ALEVY	5-8-07			
INTERPRET DIMENSIONING AND TOLERANCING IN ACCORDANCE WITH ASME Y14.5M-1994 TOLERANCES UNLESS OTHERWISE SPECIFIED DIMENSIONS ARE IN INCHES				SIZE	DWG. NO.
FRACTION : ±1/64 ANGLE : ±30' 1 PLACE DECIMAL : ±0.1 2 PLACE DECIMAL : ±0.01 3 PLACE DECIMAL : ±0.005 SURFACE ROUGHNESS $\sqrt{\text{63}}$				<b>B</b>	<b>S241290PN36RSM</b>
				SCALE: 1:4	PREVIOUS#
				REV <b>AA</b>	
				SHEET 1 OF 1	

8 7 6 5 4 3 2 1