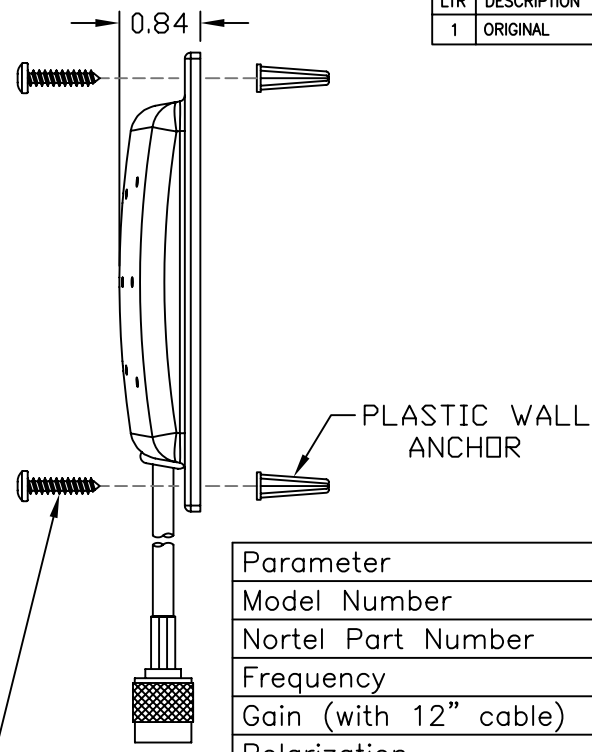
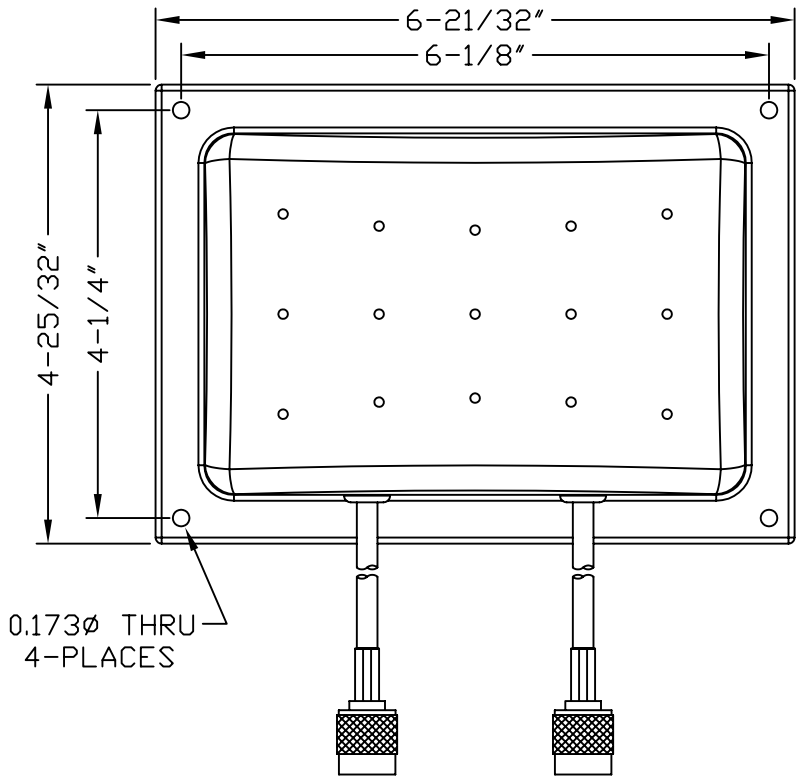


| REVISION | | | |
|----------|-------------|---------|---------|
| LTR | DESCRIPTION | DATE | INITIAL |
| 1 | ORIGINAL | 6-28-04 | CEC |



8/18 X 3/4" SS SELF TAPPING SCREW

| Parameter | Performance |
|---------------------------|-----------------|
| Model Number | S2406DSPN36RTN |
| Nortel Part Number | |
| Frequency | 2400 – 2500 MHz |
| Gain (with 12" cable) | 6.5 dBi |
| Polarization | Vertical Linear |
| VSWR | 1.7:1 |
| Horizontal 3 dB Beamwidth | 80 Degrees |
| Vertical 3 dB Beamwidth | 55 Degrees |
| Front to Back Ratio | 15 dB |
| RF Connector | Reverse TNC |
| Power | 10 Watts |
| Weight | 9.6 oz |
| Radome Color | White |

| | | |
|--|-------------------|---------|
| MATERIAL: | DRAWN | DATE |
| | C. CANADY | 6-28-04 |
| DO NOT SCALE DRAWING | ENGINEER | DATE |
| | ENGINEERING MGR | DATE |
| UNLESS OTHERWISE SPECIFIED TOLERANCES ARE: | FINISH: | |
| | ANGLES ± 0.5° | |
| | FRACTIONS ± 1/64" | |
| | .XX ± 0.010" | |
| | .XXX ± 0.005" | |

CUSHCRAFT
48 PERIMETER ROAD MANCHESTER NH. 03108

TITLE:
**S2406DSPN36RTN
MOUNTING & OUTLINE**

| | |
|---------------------------------|--------------|
| DRAWING NO. S2406DSPN36RTNMO | REV 1 |
| SCALE 1:2 | SHEET 1 OF 1 |

CONFIDENTIAL
© 2004, Cushcraft Corporation. Information contained in this document is of a proprietary and/or legally privileged nature. It may not be reproduced without express written permission of Cushcraft Corporation, Manchester, NH.