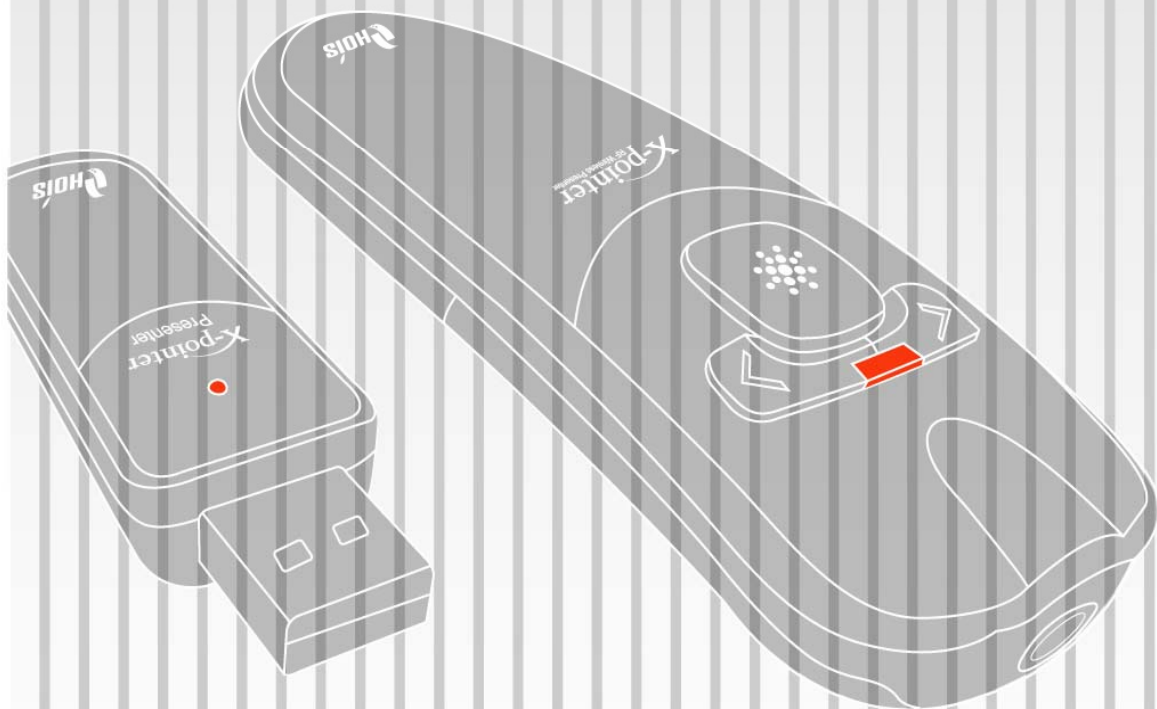


*XP140 Plus*

# *X-pointer*

2.4GHz RF Wireless Presenter

User Manual



Chois Technology Co., Ltd.

## SPECIFICATION

Type of Equipment	2.4GHz band low-power data communication system
Frequency Range	2430MHz ~ 2460MHz
Channel	31
Rated RF Output Power	2 mW
RF range	Max 30m
RF Data Rate	250 Kbps
RF Type	Multi Scan
Modulation Method	GFSK
Communication System	Simplex
ID Code	65536
Laser	Class II
O/S	Windows98, SE, Me, 2000, XP, MAC OS X
Compatible Interface	USB 1.1, USB 2.0
USB Memory	Optional 256MB to 512MB
Buttons	3
Battery	AAA * 2EA
Size of Transmitter	97.6 mm X 35.6mm X 16.3mm
Size of Receiver	56.3mm X 22mm X 8.1mm

## Setting Up the X-pointer

### - Battery Installation

Insert AAA batteries, provided, into the battery holder on the backside of the transmitter. Please make sure the poles are in the right direction.

## X-pointer QUICK INSTALL GUIDE

1. Insert the Receiver into the USB Port of the PC and then wait the device management for a few second. (Insert batteries and check the working of the laser beam of the transmitter)
2. The X-pointer will be installed automatically by displaying the blink of LED and will work immediately after it is inserted into the USB Port.
3. To secure the exclusive ID code of the receiver, push any button of the transmitter for two seconds when the receiver LED blinks on and off more fast.
4. Run MS PowerPoint and test the buttons.

## Setting Up the X-pointer

### - Windows XP, 2000, Me Users

1. Insert the Receiver into the USB Port of the PC
2. The X-pointer will be installed automatically and will work immediately after it is inserted into the USB Port.



### - WINDOWS 98 Users

1. Installation of USB FLASH MEMORY driver
  - 1) Download the X-pointer II Windows 98 driver from the homepage of Chois Technology ([www.choistec.com](http://www.choistec.com)) and execute download file.
  - 2) Click "Unzip" then driver files will be extracted to "C:\temp\X-PointerII98M" folder.

- 3) When driver install program appears, select the option of "Install" and click OK to install Windows 98 Driver.
- 4) Insert the X-pointer II Receiver into the USB port of your computer.
- 5) The "Add New Hardware Wizard" will appear and click "next" after detecting the "X-pointer USB Mass Storage".
- 6) Select the option of "Search for the best driver for your device" and click "next".
- 7) De-select all checkboxes and select the "Specify a location" checkbox, and click "Browse".
- 8) When the Browse for Folder window appears, select the folder "C:\temp\X-PointerII98M" which contains the driver information (.INF file) for device and click "OK". Click "Next" to continue.
- 9) Click the "Finish" to complete the "X-pointer USB Mass Storage" installation.

## 2. HID DRIVER INSTALL

- 1) The "Add New Hardware Wizard" will appear and detect the USB Human Interface Device. Click "Next".
- 2) Select the option of "Search for the best driver for your device" and click "next".
- 3) De-select all checkboxes and select the "Specify a location" checkbox, and click "Browse".
- 4) When the Browse for Folder window appears, select the folder "C:\Windows\INF" which contains the driver information (.INF file) for device and click "OK". Click "Next" to continue
- 5) Click the "Finish" to complete the "USB Human Interface Device" installation.

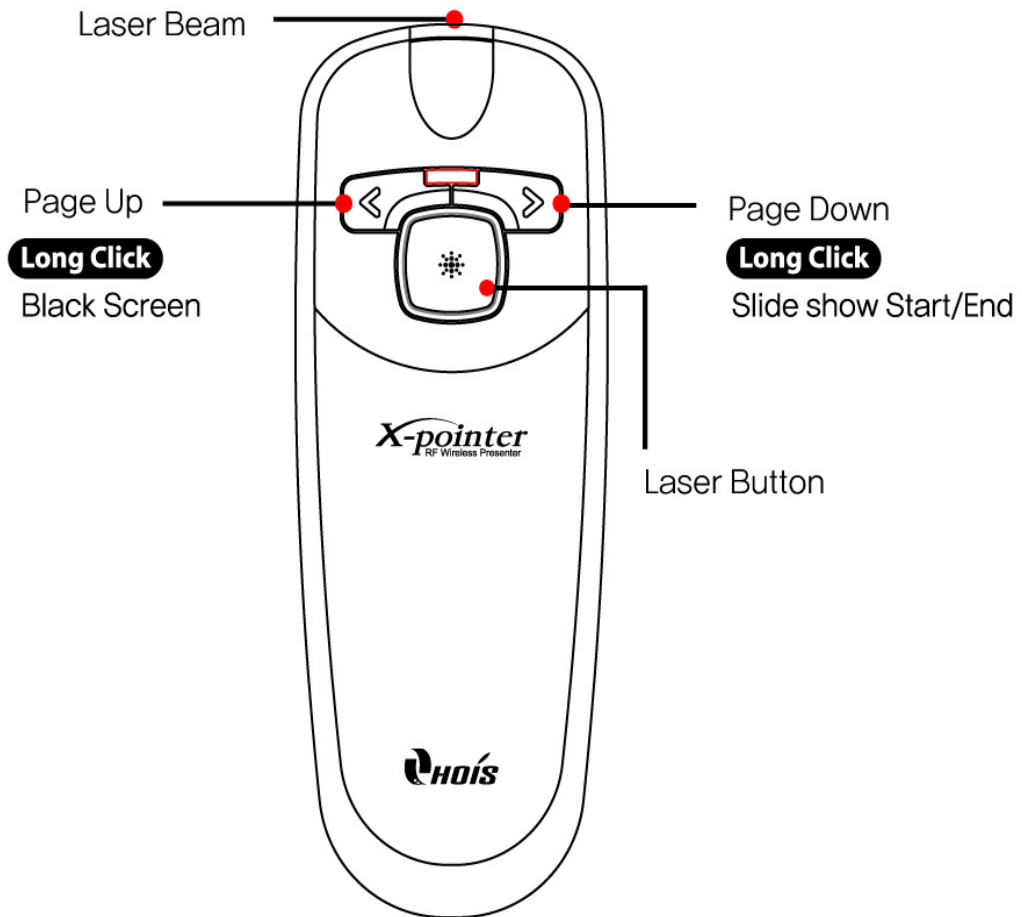
### **<< In case of the failure in recognizing the X-Pointer under Windows 98. >>**

1. Right click on "My computer" for registration information.
2. Search "Keyboard, Mouse and Human Interface Device" for "!" or "?" on "Device Manager tap". If "!" or "?" exist, delete and continue.
3. Reinstall Windows 98 Driver.
4. Insert the receiver into the USB Port of your PC.
5. Please repeat above installation processes

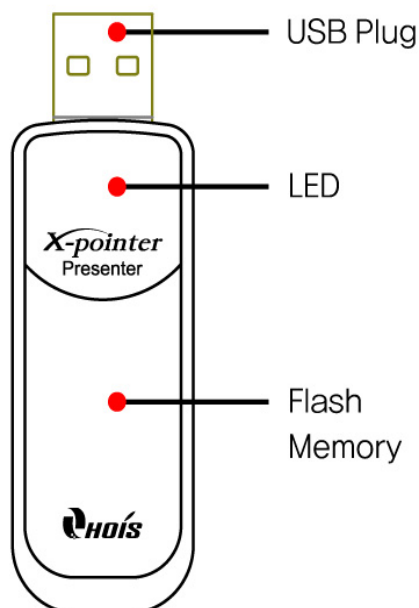
## Composition of the X-pointer

The Transmitter functions as all in one controller - a remote controller, and a laser pointer.

The receiver consists of a USB Plug, LED



Transmitter : 97.6 mm X 35.6mm X 16.3mm



Receiver : 56.3mm X 22mm X 8.1mm

## CAUTION

Use of controls or adjustment or performance of procedures other than those specified herein may result in hazardous radiation exposure

## CERTIFICATION

### 1. Model Name

Transmitter : X-pointer Premium XP140T  
Receiver : X-pointer Premium XP140R,  
XP140R256, XP140R512

### 2. CERTIFICATION



Transmitter : WCT-XP140T  
Receiver : WCT-XP140R



FCC ID : RVBXP140T

CE 0678



This device complies with part 15 of the FCC Rules. Operation is subject to the following two conditions:

- (1) This device may not cause harmful interference, and
- (2) This device must accept any interference received, including interference that may cause undesired operation

This equipment has been tested and found to comply with the limits for a Class B digital device, pursuant to part 15 of the FCC Rules. These limits are designed to provide reasonable protection against harmful interference in a residential installation.

This equipment generates, uses and can radiate radio frequency energy and, if not installed and used in accordance with the instructions, may cause harmful interference to radio communications. However, there is no guarantee that interference will not occur in a particular installation.

If this equipment does cause harmful interference to radio or television reception, which can be determined by turning the equipment off and on, the user is encouraged to try to correct the interference by one or more of the following measures:

- Reorient or relocate the receiving antenna.

- Increase the separation between the equipment and receiver.

- Connect the equipment into an outlet on a circuit different from that to which the receiver is connected.

- Consult the dealer or an experienced radio/TV technician for help.

"Note: The manufacturer is not responsible for any Radio or TV interference caused by unauthorized modifications to this equipment. Such modifications could void the user's authority to operate the equipment."

3. Manufacturer: Chois technology / Made in KOREA

## Frequently Asked Questions

1. What is the receiving range of the X-pointer?
  - The maximum range of operation is 30m(100ft),with the exception of interfering obstacles, such as large metal objects, which can block RF signals.
2. Can the X-pointer be used only Ms Power point?
  - No, the X-pointer could be recognized as a general keyboard and mouse, so it could be used for all the software.
3. How often the battery should be replaced?
  - The battery depends on the frequent use of a laser, remote controller consumes less power than using a laser. When you use a laser pointer continuously, you can use for Max.60 hour.

## Product Maintaining, Repairing and Supporting

- Download upgrade version of software from Chois Technology's home page. Various and convenient functions are available.
- If you have problems while using the X-pointer or if you have any suggestions about the X-pointer, don't hesitate to contact us.

Fax : +82-32-246-3406

Homepage : [www.choistec.com](http://www.choistec.com), E-mail : [choistec@choistec.com](mailto:choistec@choistec.com)



For CE Marking

**Declaration of conformity**

**We, Chois Technology**

**Of 1102,Incheon IT Tower,Dowha1dong,Namgu,Incheon,KOREA**

declare under our sole responsibility that our product

**Chois Technology type XP140T,XP140R,XP140R256,XP140R512**

to which this declaration relates is in conformity with the appropriate standards EN 300 440-1, EN 300 440-2, EN 301 489-1, EN301 489-3,EN50371 and EN 60950-1 following the provisions of Radio Equipment and Telecommunication Equipment directive **1999/5/EC** with requirements covering EMC directive **89/336/EEC** and Low Voltage directive **73/23/EEC**.



---

02 April, 2007

Mr.Chul-Ok Yeom / Manager