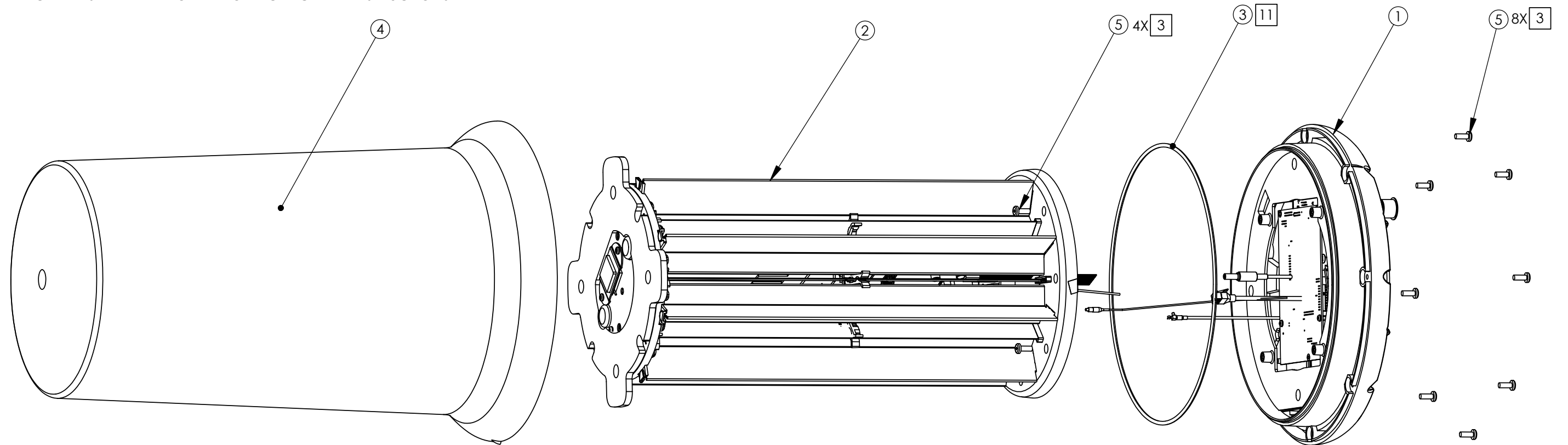


NOTES, UNLESS OTHERWISE SPECIFIED:

1. SEE BOM 710-00012-05R
2. TEST PER TPR-710-00012-05R
3. TORQUE SPECIFICATIONS:
 - TORQUE #8 SCREWS TO 19-20 IN-LBS
4. CONNECT DIGITAL CABLE AND GPS COAX FROM ANTENNA ASSY TO CARRIER BOARD OF BASE ASSY (J3 AND GPS MODULE) BEFORE SECURING ANTENNA ASSY TO BASE.
5. FEED ANTENNA 1 & 2 CABLES, ETHERNET CABLE, RF CABLE AND POWER CABLE THROUGH BOTTOM GUIDE AND THEN SECURE ANTENNA ASSY.
6. CONNECT ANTENNA 1 CABLE TO U.FL CONNECTOR OF AP RADIO
7. CONNECT ANTENNA 2 CABLE TO MMCX CONNECTOR OF AP RADIO
8. CONNECT ETHERNET CABLE TO ETHERNET PORT (J5) OF AP CARD
9. CONNECT RF CABLE TO J2 ON SWITCHBOARD OF ANTENNA ASSY
10. CONNECT POWER CABLE TO J17 OF AP CARD
11. CLEAN O-RING, BASE GROOVE AND DOME BEFORE SEATING O-RING
12. PLACE ITEM 8 INTO SERIAL PORT CONNECTOR
13. PLACE TAMPERPROOF LABEL (ITEM 7) ACROSS DOME AND BASE GAP AT POSITION 0
14. PRINT LABELS WITH PN, SN AND MAC # AND PLACE APPROXIMATELY WHERE SHOWN
PLACE OVERLAY LABEL (ITEM 12) OVER MAC AND SERIAL NUMBER
15. INSERT DIGITAL CABLE INTO FERRITE AND SNAP CLAMP SHUT
16. PRINT LABEL WITH APPROPRIATE CONFIGURATION INFO AND PLACE APPROXIMATELY WHERE SHOWN
17. PLACE ASSY INTO ITEM 20 PER PACKAGING INSTRUCTIONS
18. PLACE ITEMS 21 AND ABOVE INTO PACKAGE PER INSTRUCTIONS

REVISIONS				
ZONE	REV.	DESCRIPTION	DATE	APPROVED
	3	Preliminary Release	11-17-06	
	4	Added Label Item 13	2/15/2007	



Version	Description
705-00012-05R	DualBand Extender, 2.4GHz, 400mW
705-10012-05R	DualBand Extender, 2.4GHz, 100mW
705-20012-05R	DualBand Extender, 4.9GHz
705-30012-05R	DualBand Extender, 900MHz

UNLESS OTHERWISE SPECIFIED, DIMENSIONS ARE IN INCHES TOLERANCES ARE:

X. = 0.25 ANGLE = 0.5 DEGREE
 0.X = 0.025
 0.XX = 0.010
 0.XXX = 0.005

MATERIAL --

FINISH --

DO NOT SCALE DRAWING

CAD GENERATED DRAWING, DO NOT MANUALLY UPDATE

APPROVALS DATE

DRAWN T. Kridl 11-12-06

CHECKED

RESP ENG

MFG ENG

QUAL ENG

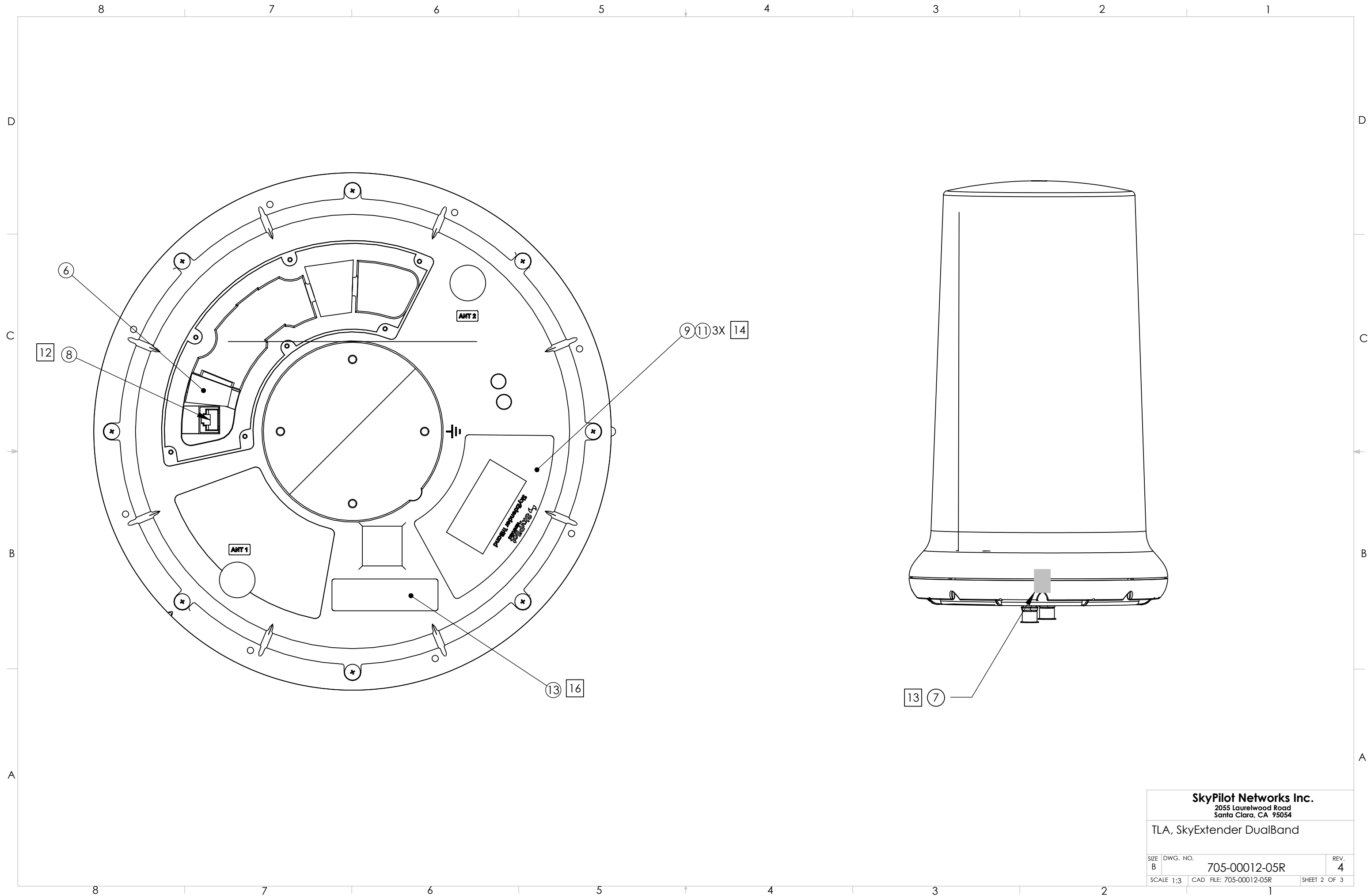
SkyPilot Networks Inc.
 2055 Laurelwood Road
 Santa Clara, CA 95054

TLA, SkyExtender DualBand

SIZE B	DWG. NO. 705-00012-05R	REV. 4
SCALE 1:3	CAD FILE: 705-00012-05R	SHEET 1 OF 3

THIRD ANGLE PROJECTION

THE INFORMATION CONTAINED IN THIS DRAWING IS THE SOLE PROPERTY OF SKYPILOT NETWORK CORPORATION AND ANY REPRODUCTION IN PART OR WHOLE WITHOUT THE WRITTEN CONSENT OF SKYPILOT NETWORK CORPORATION IS PROHIBITED.



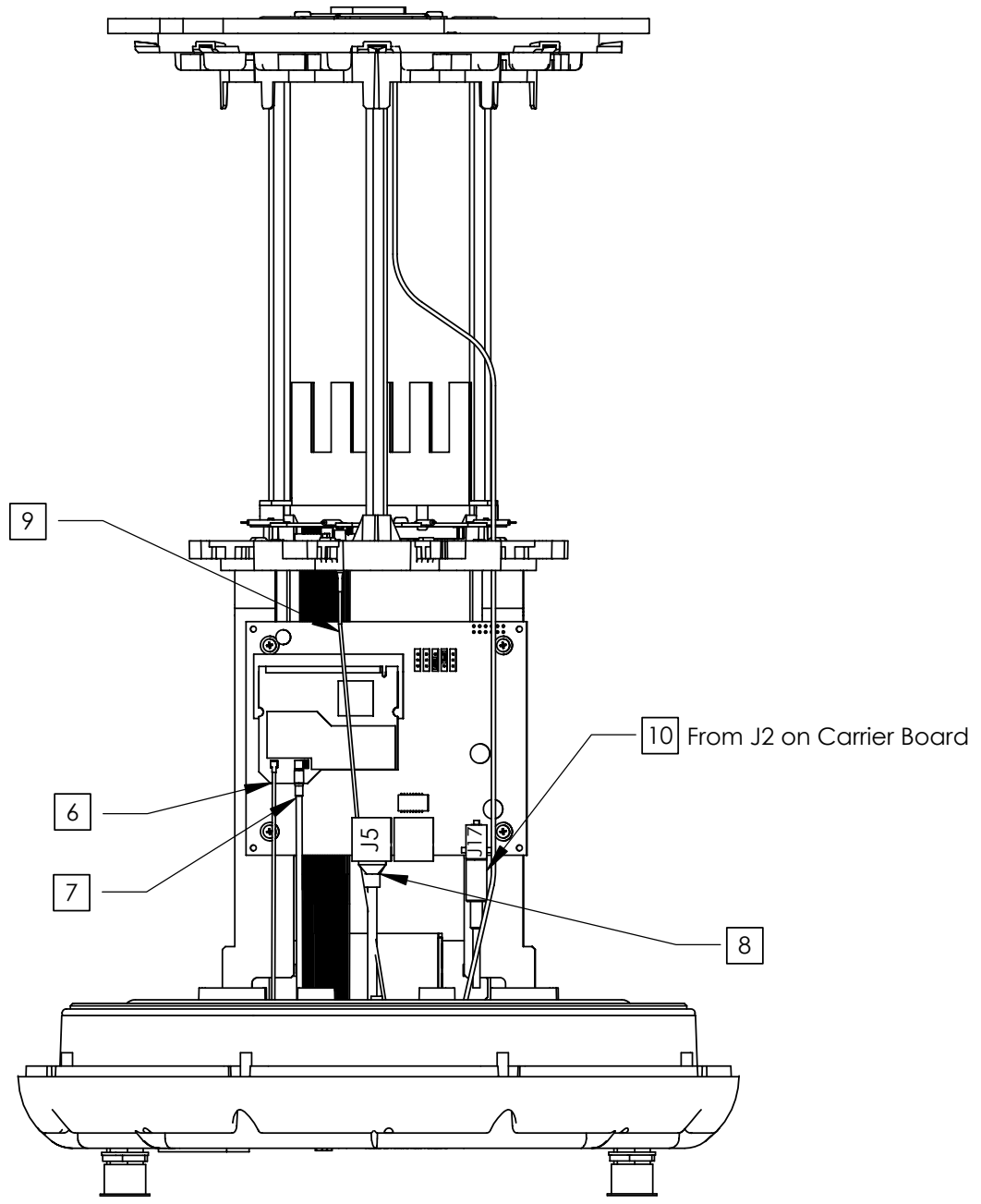
SkyPilot Networks Inc.
 2055 Laurelwood Road
 Santa Clara, CA 95054

TLA, SkyExtender DualBand

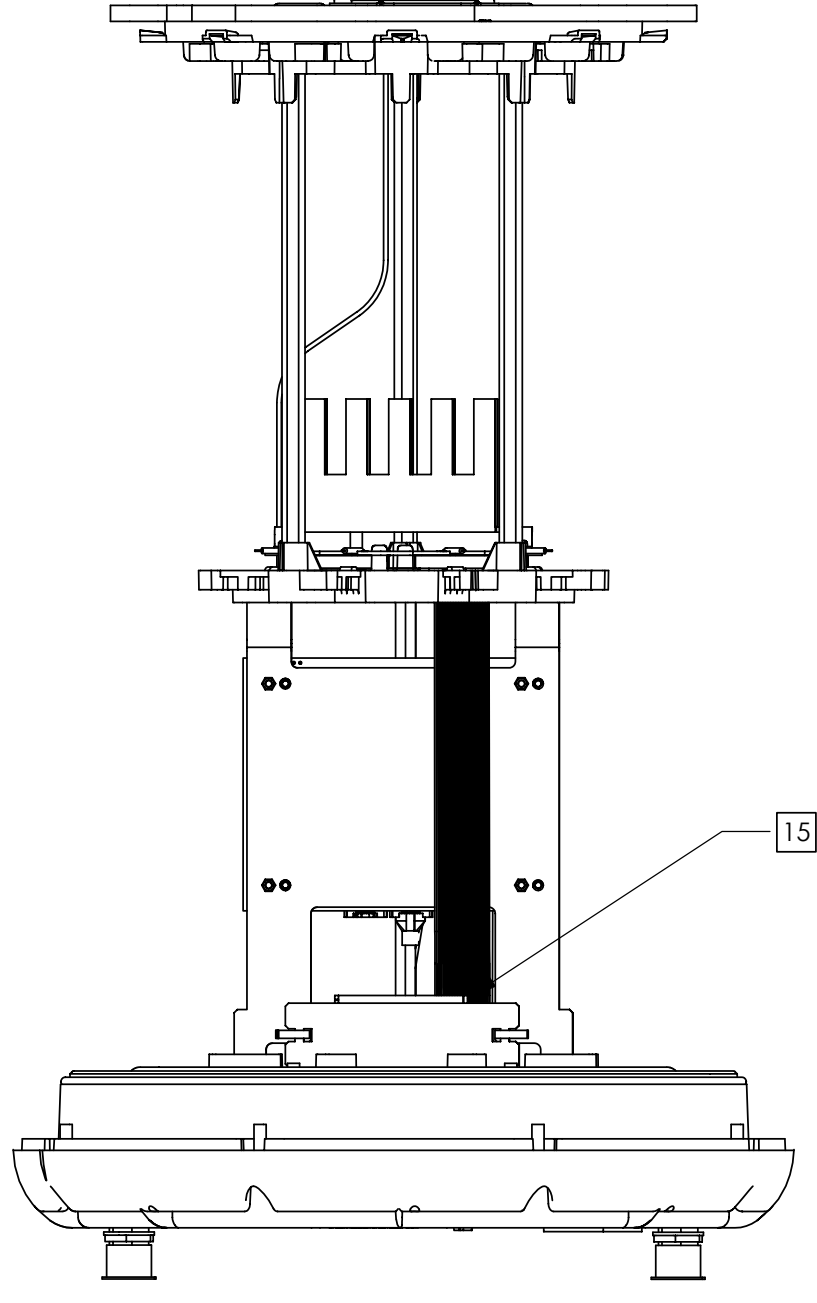
SIZE	DWG. NO.	REV.
B	705-00012-05R	4
SCALE 1:3	CAD FILE: 705-00012-05R	SHEET 2 OF 3

8 7 6 5 4 3 2 1

D
C
B
A



Primary AP View



D
C
B
A

Antenna Column Components Removed for Clarity

SkyPilot Networks Inc.			
2055 Laurelwood Road Santa Clara, CA 95054			
TLA, SkyExtender DualBand			
SIZE B	DWG. NO. 705-00012-05R	REV. 4	
SCALE 1:3	CAD FILE: 705-00012-05R	SHEET 3 OF 3	

8 7 6 5 4 3 2 1