

LR802URN3_1A

802.11B/G/N 1T1R WLAN MODULE

USB2.0 Interface

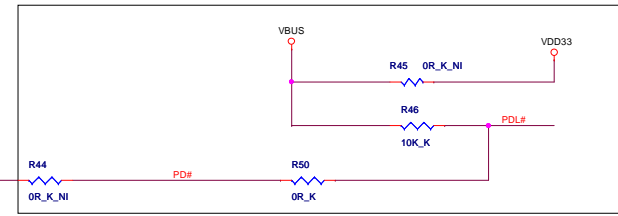
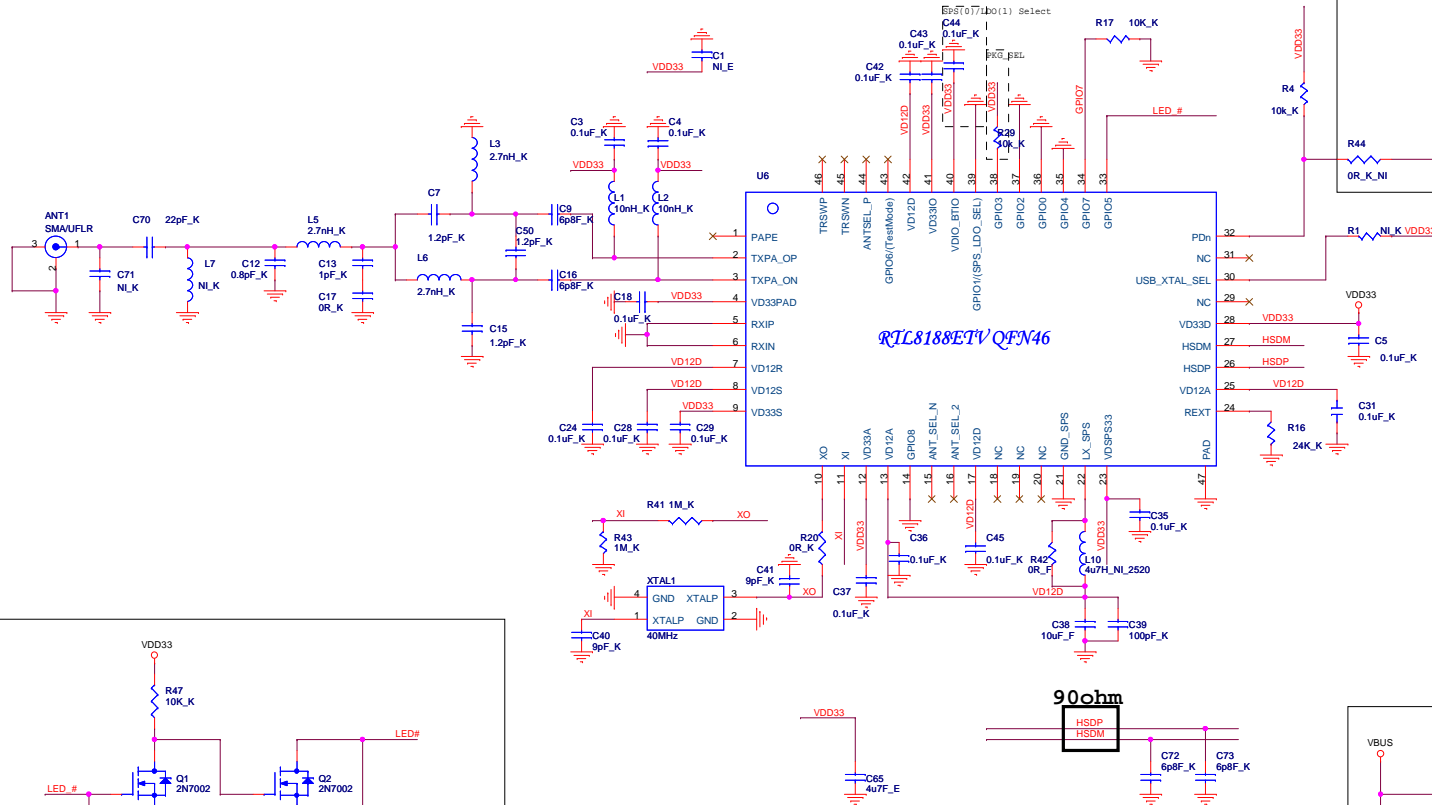
SINGLE IPEX CONNECTOR

REALTEK RTL8188ETV

62-6494

<u>Componment Suffix Table</u>	<u>PAGE</u>	<u>FUNCTION DESCRIPTION</u>
_A CASE A	1.	Cover
_B CASE B	2.	RTL8188ETV
_C CASE C		
_D CASE D		
_K 0402		
_E 0603		
_F 0805		
_G 1206		
_H 1210		
_I 1812		
_J 2010		
,NI DO NOT INSTALL		

Qcom 邁智電腦股份有限公司 Qcom Technology Inc.		
Title Cover		
Size B	Document Number 62-6494	Rev 1A
Date: Thursday, September 11, 2014 Sheet 1 of 2		



5V VBUS ver. (Default)
 Install U8, L11, C76, R48, R49, C75, R46, R50
 Uninstall R44, R45, C78, U9

3V3 VBUS ver.
 Install R46, R50, U9, C78
 Uninstall U8, L11, C76, R48, R49, C75, R44, R45

