

# BF 2012 Series

## Multilayer Chip Band-Pass Filters

### Features

- ❖ Ultra small SMD type with low loss at pass-band and high attenuation at stop-band.



### Applications

- ❖ 0.8 ~ 6 GHz wireless communication systems, including DECT/PACS/PHS/GSM/DCS phones, WLAN card, Bluetooth modules, Hyper-LAN, etc.

### Specifications

Part Number	Frequency Range (MHz)	Insertion Loss @ BW (dB)	VSWR @ BW	Attenuation I (dB)	Attenuation II (dB)	Attenuation III (dB)
<b>BF2012-B5R5DAB_</b>	5150~5875	2.5 max.	2.2 max.	30 min. @ 500~4000MHz	20 min. @ 4600MHz	15 min. @ 10300~11800MHz

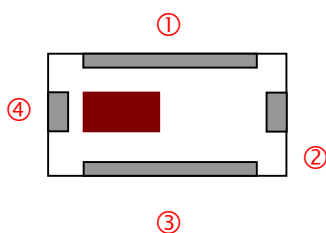
Q'ty/Reel (pcs) : 4,000  
 Operating Temperature Range : -40 ~ +85 °C  
 Storage Temperature Range : -40 ~ +85 °C  
 Power Capacity : 500mW max.

### Part Number

**BF**   **2012**   -   **B**   **5R5**   **DAB**   **□**   **/LF**  
 ①   ②   ③   ④   ⑤   ⑥   ⑦

① Type	BF : Band-Pass Filter	② Dimensions ( L x W )	2.0 x 1.2 mm
③ Material Code	B	④ Frequency Range	5R5=5512MHz
⑤ Specification Code	DAB	⑥ Packaging	T: Tape & Reel B: Bulk
⑦ Soldering	=lead-containing /LF=lead-free		

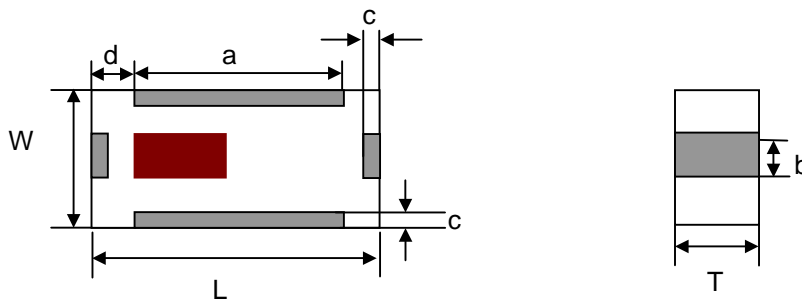
### Terminal Configuration



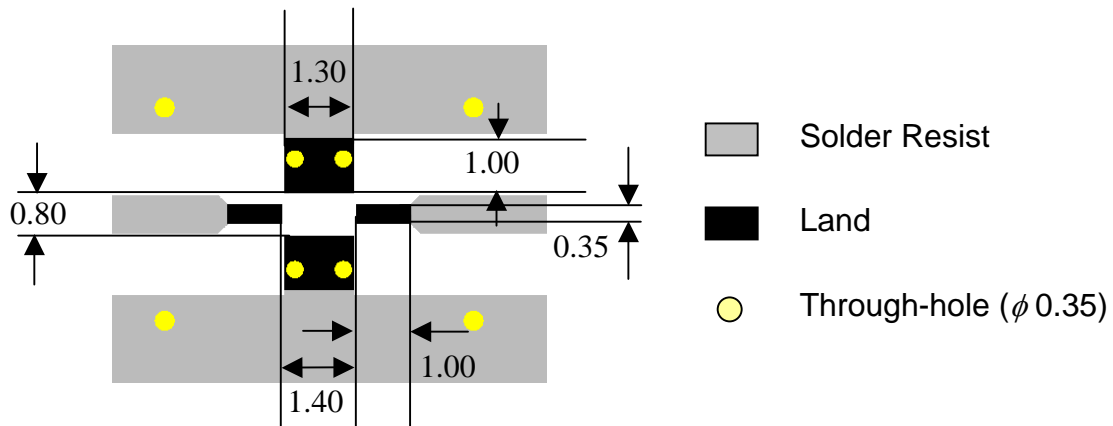
No.	Terminal Name	No.	Terminal Name
①	GND	③	GND
②	OUT	④	IN

## Dimensions and Recommended PC Board Pattern

Unit : mm

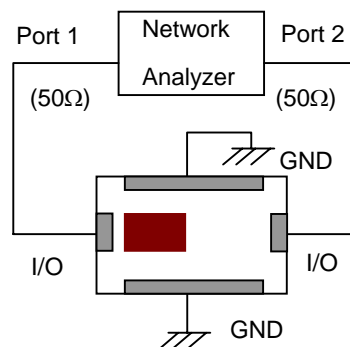


Mark	L	W	T	a	b	c	d
Dimensions	2.0 ± 0.15	1.25 ± 0.10	0.95 ± 0.10	1.3 ± 0.15	0.3 ± 0.15	0.25 ± 0.15	0.35 ± 0.15

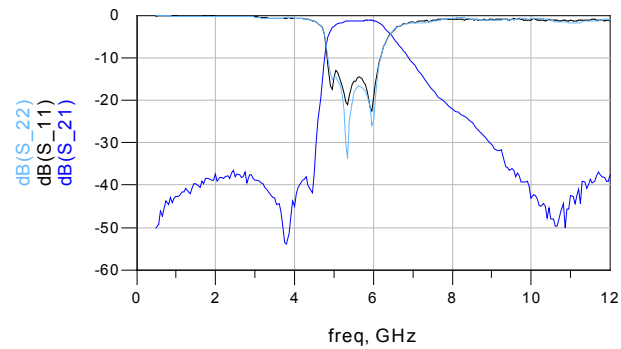


\* Line width should be designed to match 50 Ω characteristic impedance, depending on PCB material and thickness.

## Measuring Diagram



## Electrical Characteristics (T=25°C)



### Notes

❖The contents of this data sheet are subject to change without notice. Please confirm the specifications and delivery conditions when placing your order.

#### **Advanced Ceramic X Corp.**

16 Tzu Chiang Road, Hsinchu Industrial District Hsinchu Hsien 303, Taiwan

TEL:886-3-5987008 FAX:886-3-5987001

E-mail: [acx@acxc.com.tw](mailto:acx@acxc.com.tw) <http://www.acxc.com.tw>