

## SPECIFICATIONS

Product Number	J9171A
Frequency MHz:	2400 - 2500 & 4900 - 5990
Gain dBi ( w/33" cable):	3.0 ± 0.5 dBi @ 2.4-2.5 GHz 4.0 ± 1.0 dBi @ 4.9-5.99 GHz
Maximum VSWR:	2.0:1
3 dB Beamwidth – Elevation:	60°
3 dB Beamwidth – Azimuth:	Omnidirectional
Polarization:	Vertical Linear
Maximum Input Power:	2 Watts
Cable Length in.(mm):	33" (838.2) Plenum rated
Mechanical Size in. (mm):	12.14"x .87"x 3.6" (308.3 x 22 x 92)
Weight:	0.39 kg
Antenna Connection:	Reverse SMA (3x)
Radome:	White ASA
Mount Style:	Ceiling Grid / Suspended Tile

## ANTENNA LOCATION

For best results, mount the J9171A at ceiling level near the center of the coverage area. A line-of-sight path between the antenna and active floor works best. Avoid mounting next to a column or vertical support that could create a shadow zone and reduce coverage to only one portion of the room.

### HP WARRANTY INFORMATION

See the warranty notice included with this product. A copy of the specific warranty terms applicable to your ProCurve products and replacement parts can be obtained from your HP Sales and Service Office or authorized dealer.

### Support

Hewlett-Packard offers support 24 hours a day, seven days a week through the use of a number of automated electronic services. You can get up-to-date support information from the ProCurve Web site: [www.procurve.com](http://www.procurve.com).

Additionally, your HP-authorized network reseller can provide you with assistance, both with services that they offer and with services offered by HP ProCurve.

© Copyright 2008, Hewlett-Packard Company LP

The information contained herein is subject to change without notice.

Printed in USA  
October 2008

Part Number: 5992-5003



## Dual-Band 3 Element MIMO Omni Directional Antenna J9171A



## Description

The ProCurve J9171A is a dual band 3-element omni-directional antenna for use in 802.11n MIMO applications. Enclosed in a compact, low-profile radome, the antenna can be mounted to a variety of drop ceiling grids using the integrated spring clips. Each of the three MIMO antenna elements is connected to the WLAN Access Point via a low loss, plenum-rated, coax pigtail. The radiation patterns are uniform and symmetrical, providing high levels signal density into defined coverage zones. This antenna will greatly enhance the performance of 802.11n systems. The dual band frequency coverage means that a single type of antenna can be deployed with any MIMO radio in the 2.4-2.5 GHz and 4.9-5.9 GHz bands.

## Safety

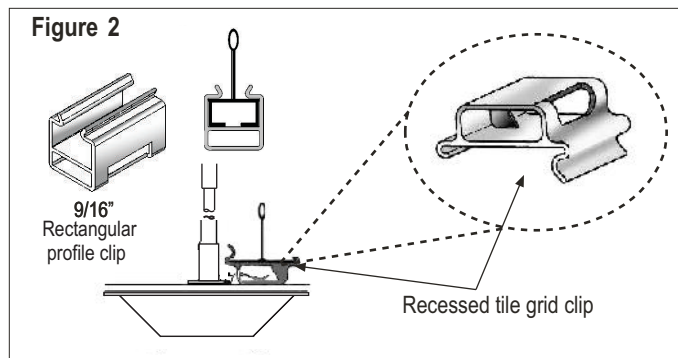
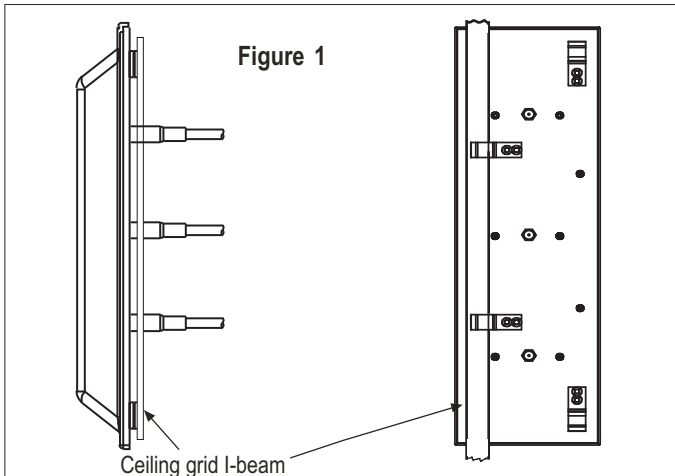
**Important Notice: Please read all instructions carefully before attempting to install and use this product.**

**The ProCurve J9171A and all associated equipment should be installed in accordance with applicable local and national electric code guidelines to ensure safe operation.**

**Before connecting your external antenna to a ProCurve Wireless Access Point, please read the instructions in your access point manuals. Be sure that the access point's power levels are set to meet the regulatory requirements in your area. For antenna RF power setting limits by country/region, visit [www.procurve.com/manuals](http://www.procurve.com/manuals).**

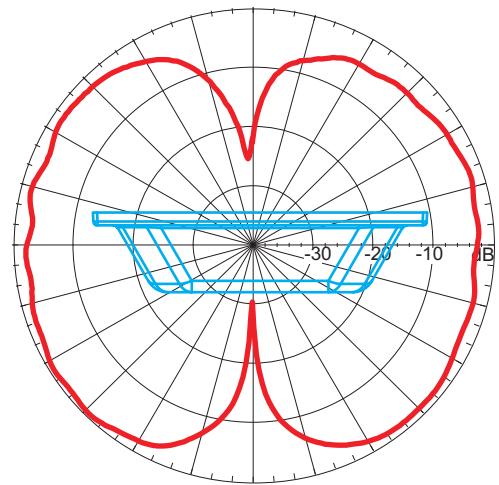
## INSTALLATION

Suspended-ceiling mounting clips are provided on the rear panel of the antenna package. Make three small slots in the tile to pass the feed lines through, then install the antenna on the tile-support rail, as shown in Figure-1. For installations using recessed-edge tiles, use the supplied plastic recessed tile adapter clips. Snap clips into the ceiling-tile grid then mount the antenna to the clips, as illustrated in Figure-2. For 9/16" rectangular profile grid, install the supplied clips in the same manner.

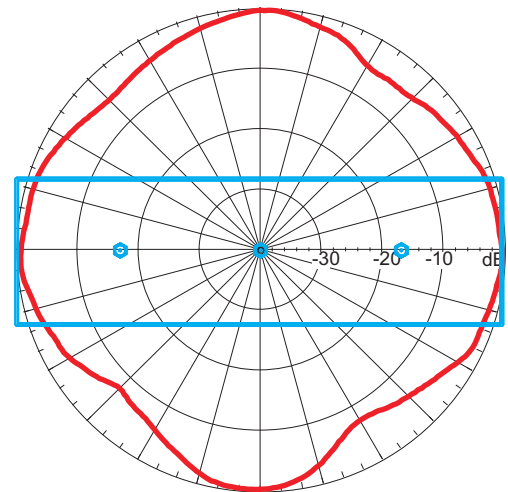


## J9171A Omni Antenna Radiation Plots

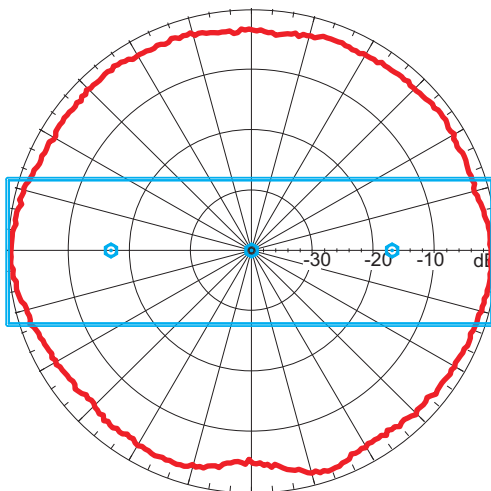
## J9171A Omni Antenna Radiation Plots



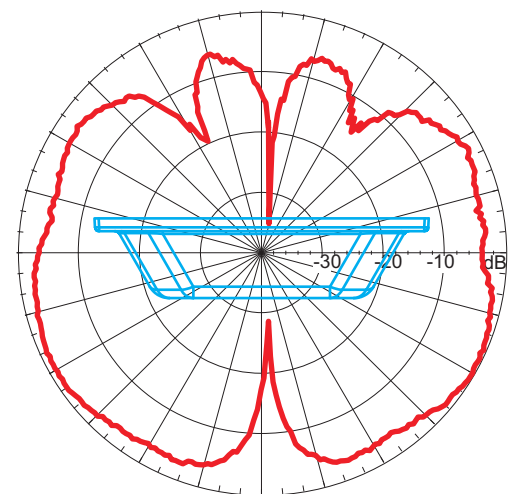
**E Plane 2.5 GHz**



**H Plane 2.5 GHz**



**H Plane 5.47 GHz**



**E Plane 5.47 GHz**