



48 Perimeter Road Manchester, NH. 03103 (603) 627-7877

J8444A

8 dBi Omnidirectional Antenna

Antenna Specifications

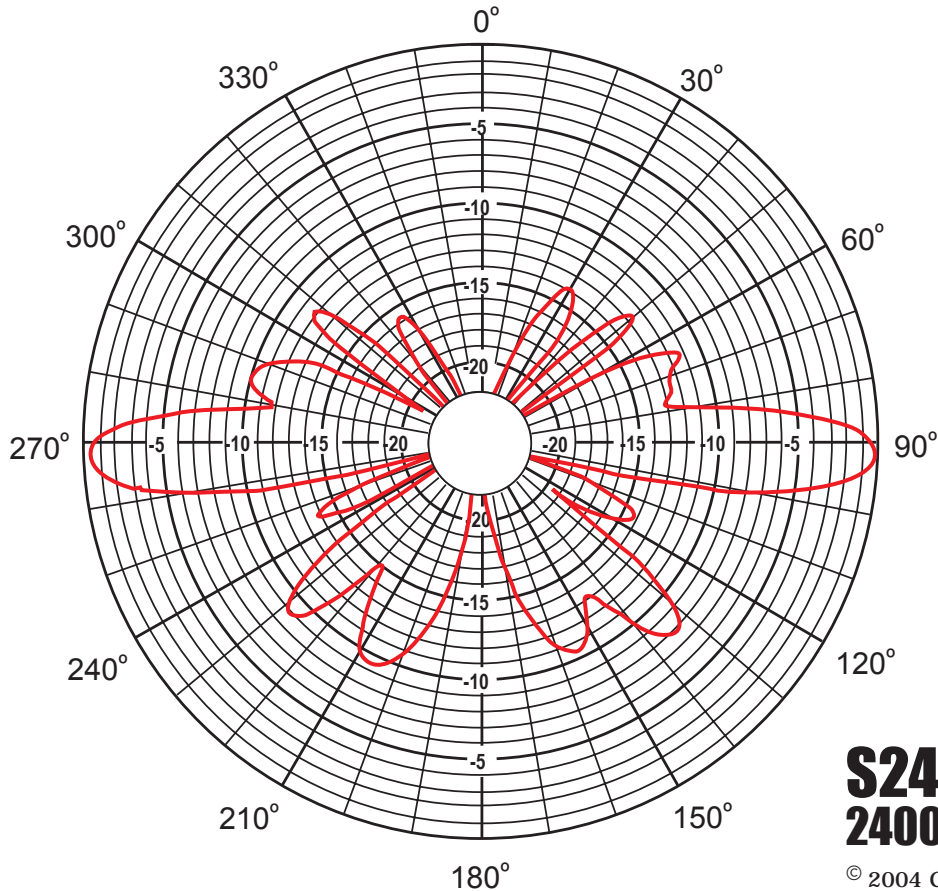
and

Test Data

Antenna Specifications

Item	Specification
HP Product Number	J8444A
Cushcraft Part Number	S2406BPH33RSM
Frequency (MHz)	2400-2500
Gain w/specified cable (dBi)	7.4
VSWR max	1.5:1
E-Plane (3dB beamwidth)	12°
H-Plane (3dB beamwidth)	Omnidirectional
Polarization	Linear (vertical)
Impedance (Ohms)	50
Weight lb. (kg)	0.5 (0.23)
Mounting Style	Mast
Wind Surface Area ft ² (m ²)	0.11 (0.01)
Wind Survival mph (km/hr)	125 (200)
Enclosure	Polycarbonate, White
RF Connector	Rev. SMA (m)
Pigtail	33-inch
Storage Temperature (min/max)	-40° to +65°C
Operating Temperature (min/max)	-30° to +55°C

48 Perimeter Road
Manchester, NH 03103
Tel: 603-627-7877
Fax: 603-627-1764



Peak Gain = 6.5 dBi

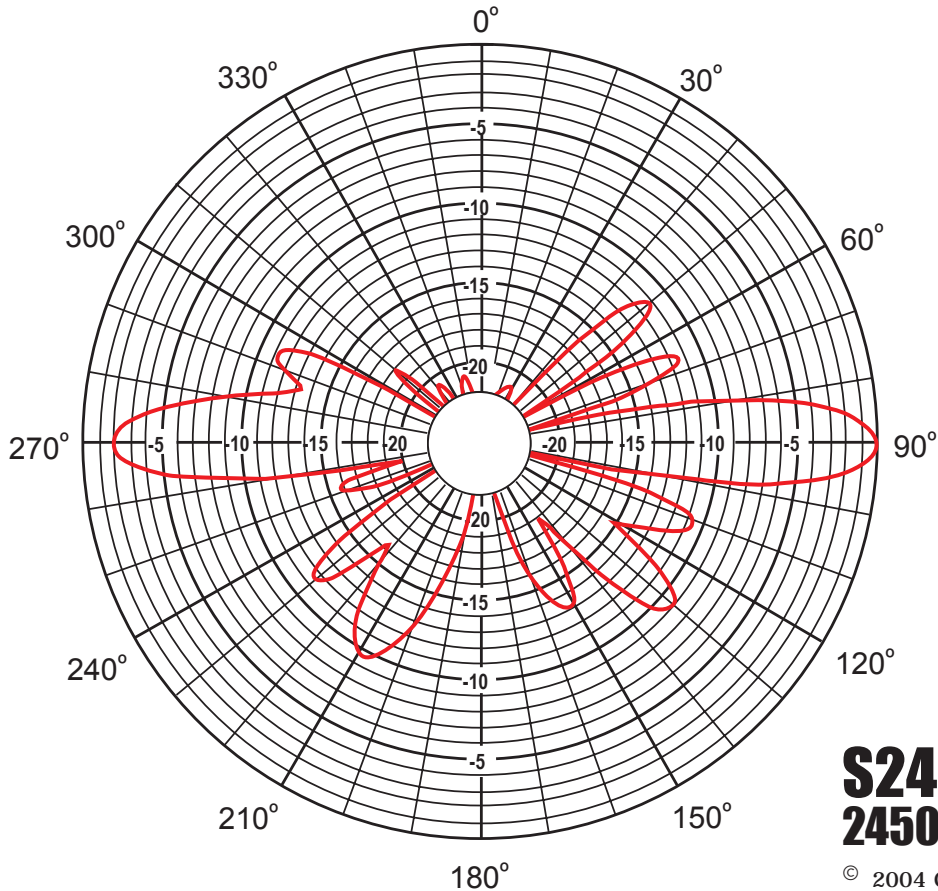
S2406BPH33RSM

2400 MHz / E-Plane

© 2004 Cushcraft Corporation

48 Perimeter Road
Manchester, NH 03103

Tel: 603-627-7877
Fax: 603-627-1764



Peak Gain = 7.2 dBi

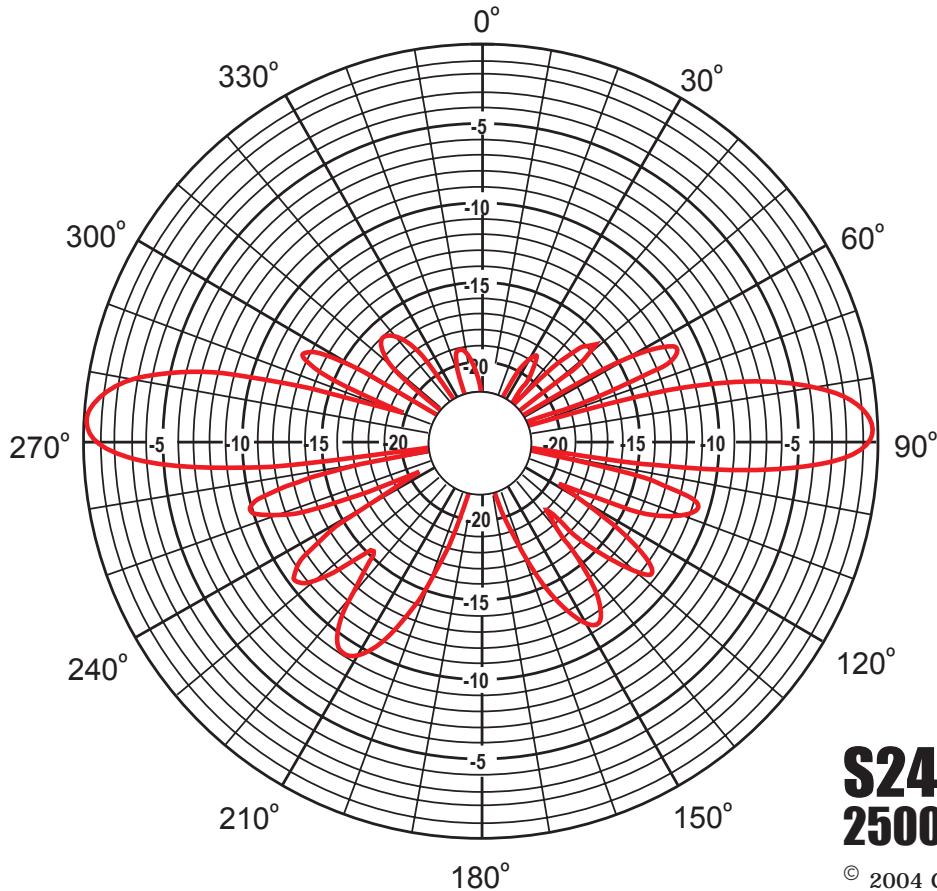
S2406BPH33RSM

2450 MHz / E-Plane

© 2004 Cushcraft Corporation

48 Perimeter Road
Manchester, NH 03103

Tel: 603-627-7877
Fax: 603-627-1764



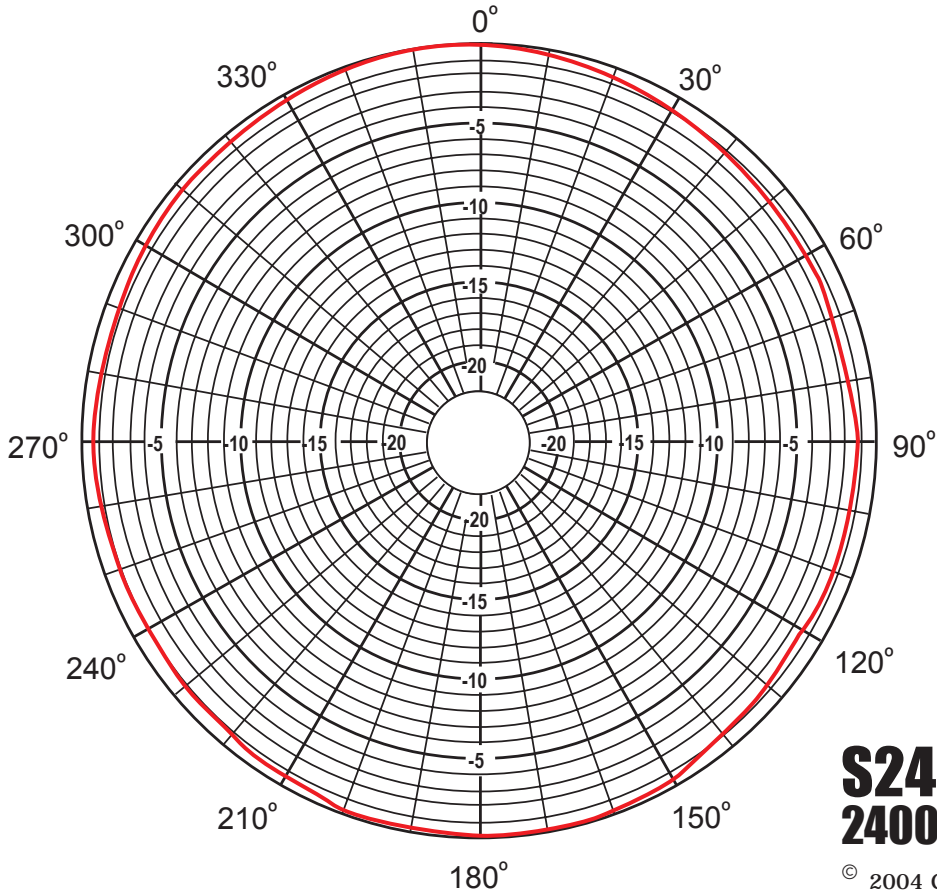
Peak Gain = 6.9 dBi

S2406BPH33RSM

2500 MHz / E-Plane

© 2004 Cushcraft Corporation

48 Perimeter Road
Manchester, NH 03103
Tel: 603-627-7877
Fax: 603-627-1764



Peak Gain = 6.0 dBi

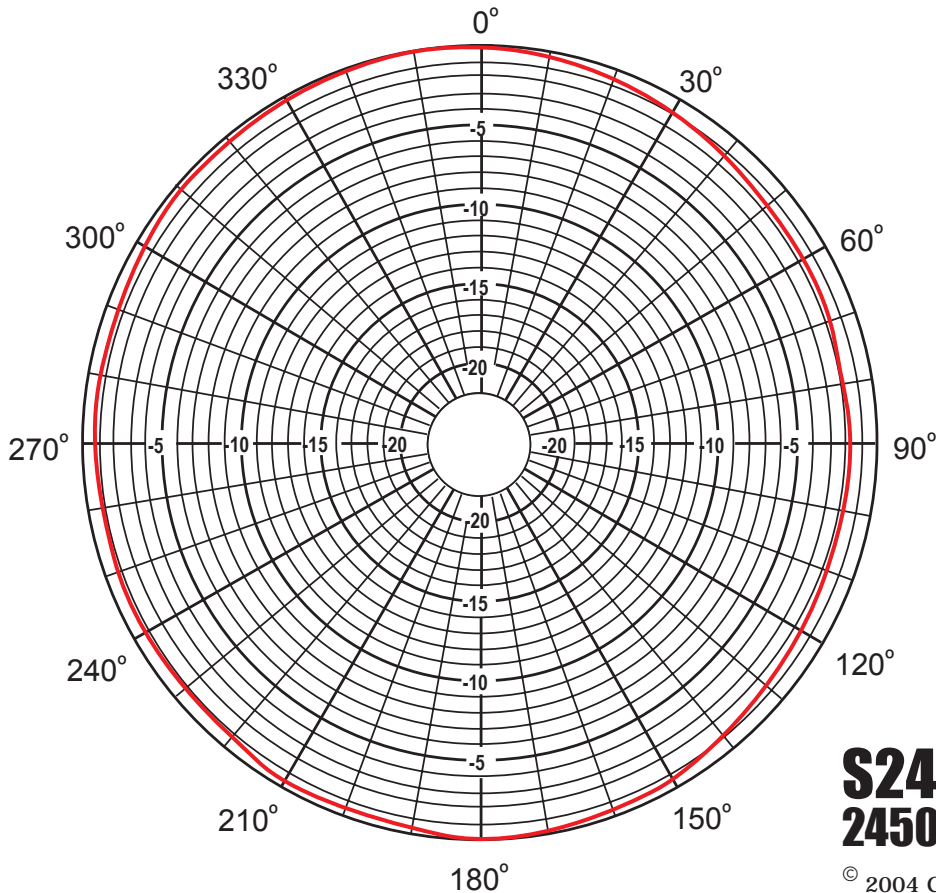
S2406BPH33RSM

2400 MHz / H-Plane

© 2004 Cushcraft Corporation

48 Perimeter Road
Manchester, NH 03103

Tel: 603-627-7877
Fax: 603-627-1764



Peak Gain = 7.2 dBi

S2406BPH33RSM

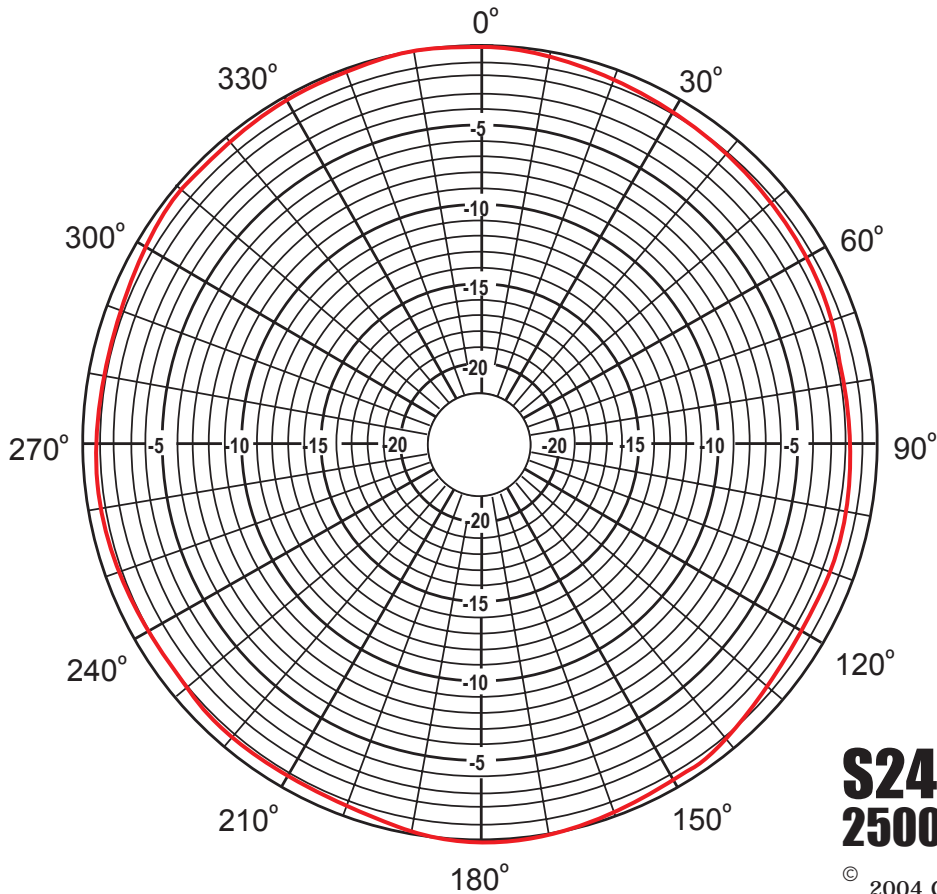
2450 MHz / H-Plane

© 2004 Cushcraft Corporation

48 Perimeter Road
Manchester, NH 03103

Tel: 603-627-7877

Fax: 603-627-1764

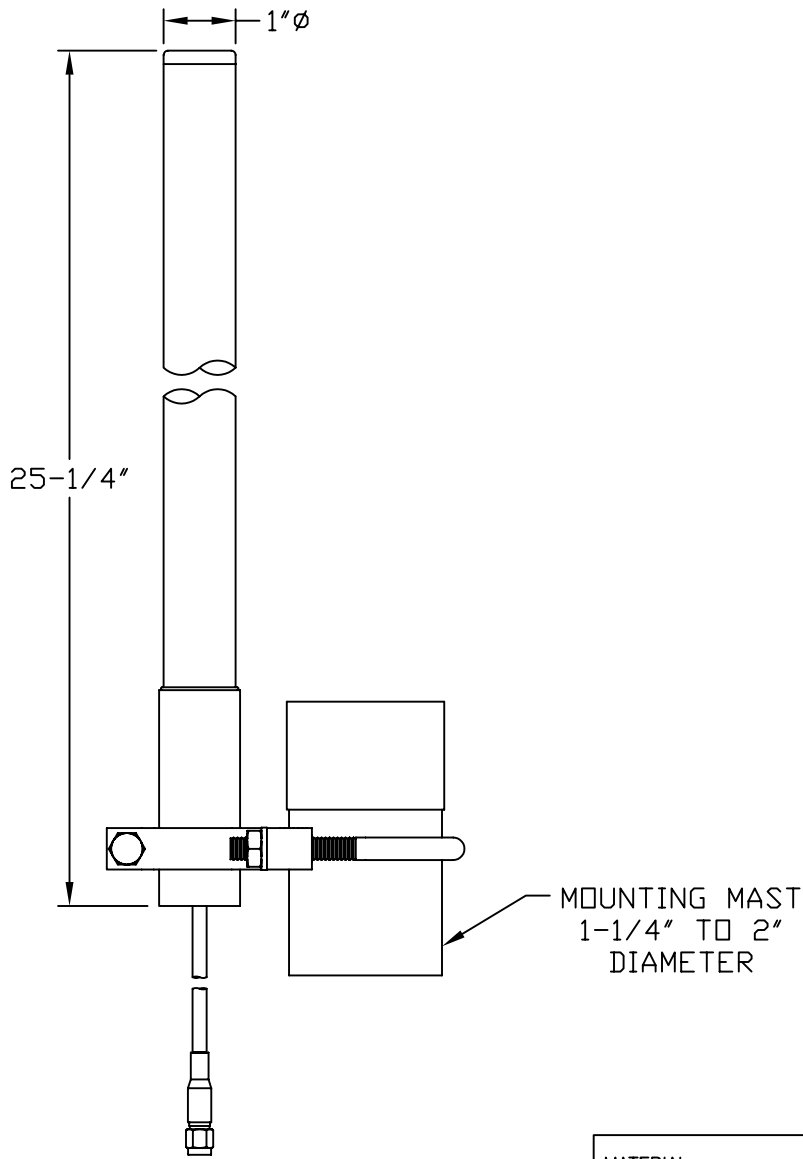


Peak Gain = 6.2 dBi

S2406BPH33RSM

2500 MHz / H-Plane

© 2004 Cushcraft Corporation



MOUNTING MAST
1-1/4" TO 2"
DIAMETER

REVISION			
LTR	DESCRIPTION	DATE	INITIAL
1	PRELIMINARY RELEASE	3-3-04	SWJ
AA	FORMAL RELEASE	4-8-04	SWJ

Parameter	Performance
HP Part Number	J8444A
Cushcraft Part Number	(S2406BPH33RSM)
Frequency (MHz)	2400-2500
Gain dBi (w/12" cable)	8
Gain dBi (w/specified cable)	7.4
VSWR max	1.5:1
E-Plane (3 dB beamwidth)	12°
H-Plane (3 dB beamwidth)	Omnidirectional
Polarization	Linear (Vertical)
Impedance (Ohms)	50
Weight lb./kg	0.5 (0.23)
Mounting Style	Mast
Wind Surface Area ft ² (m ²)	0.11 (0.01)
Wind Survival mph (km/hr)	125 (200)
Enclosure	Polycarbonate, White
RF Connector	Rev. SMA (m)
Pigtail	33"
Storage Temp min/max	-40 to +65 C
Operating Temp min/max	-30 to +55 C

MATERIAL:	DRAWN	DATE
	S JOHNSON	3-3-04
DO NOT SCALE DRAWING	ENGINEER	DATE
	R LITTLEFIELD	4-8-04
UNLESS OTHERWISE SPECIFIED TOLERANCES ARE:	ENGINEERING MGR	DATE
	A ALEVY	4-8-04
ANGLES ± 2°	FINISH:	
FRACTIONS ± 1/16"		
.XX ± 0.060"		
.XXX ± 0.015"		

CUSHCRAFT
48 PERIMETER ROAD MANCHESTER NH. 03108

TITLE:
**S2406BPH33RSM
MOUNTING & OUTLINE**

DRAWING NO. S2406BPH33RSMMO	REV AA
SCALE NONE	SHEET 1 OF 1

CONFIDENTIAL
© 2001, Cushcraft Corporation. Information contained in this document is of a proprietary and/or legally privileged nature. It may not be reproduced without express written permission of Cushcraft Corporation, Manchester, NH.