



48 Perimeter Road Manchester, NH. 03103 (603) 627-7877

J8441A

5 dBi Omnidirectional Antenna

Antenna Specifications

and

Test Data

Antenna Specifications

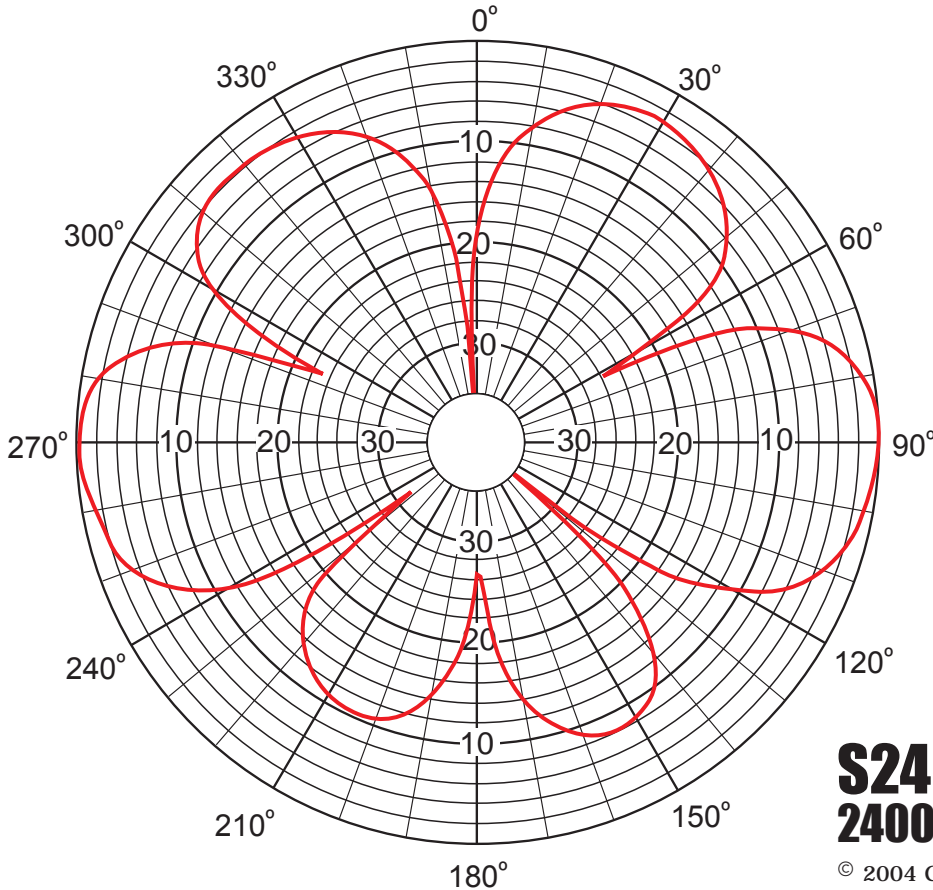
Item	Specification
HP Product Number	J8441A
Cushcraft Part Number	S2403BPXH33RSM
Frequency (MHz)	2400-2500
Gain w/specified cable (dBi)	4.4
VSWR max	1.7:1
E-Plane (3dB beamwidth)	31°
H-Plane (3dB beamwidth)	Omnidirectional
Polarization	Linear (vertical)
Impedance (Ohms)	50
Weight lb. (kg)	0.41 (0.14)
Mounting Style	Ceiling or Mast
Wind Surface Area ft ² (m ²)	0.08 (0.007)
Wind Survival mph (km/hr)	125 (200)
Enclosure	Polycarbonate, White
RF Connector	Rev. SMA (m)
Pigtail	33-inch CMP Plenum
Storage Temperature (min/max)	-40° to +55°C
Operating Temperature (min/max)	-30° to +55°C



48 Perimeter Road
Manchester, NH 03103

Tel: 603-627-7877

Fax: 603-627-1764



Peak Gain = 4.2dBi

S2403BPXH33RSM

2400 MHz / E-Plane

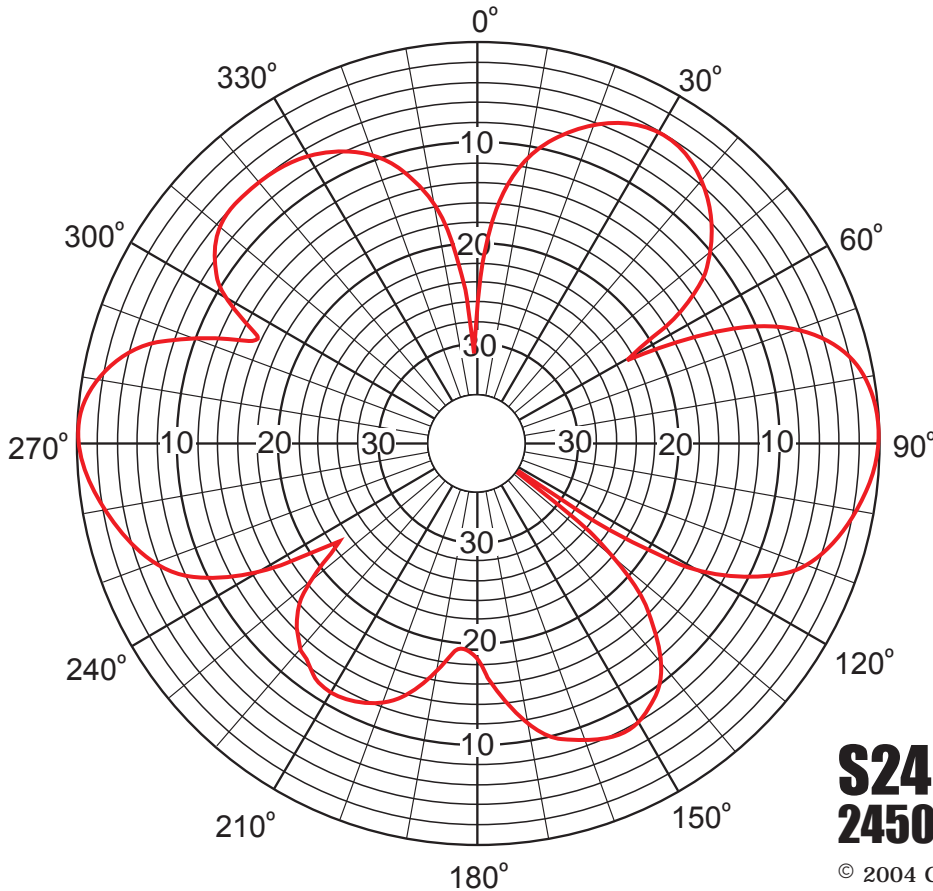
© 2004 Cushcraft Corporation



48 Perimeter Road
Manchester, NH 03103

Tel: 603-627-7877

Fax: 603-627-1764



Peak Gain = 3.9 dBi

S2403BPXH33RSM

2450 MHz / E-Plane

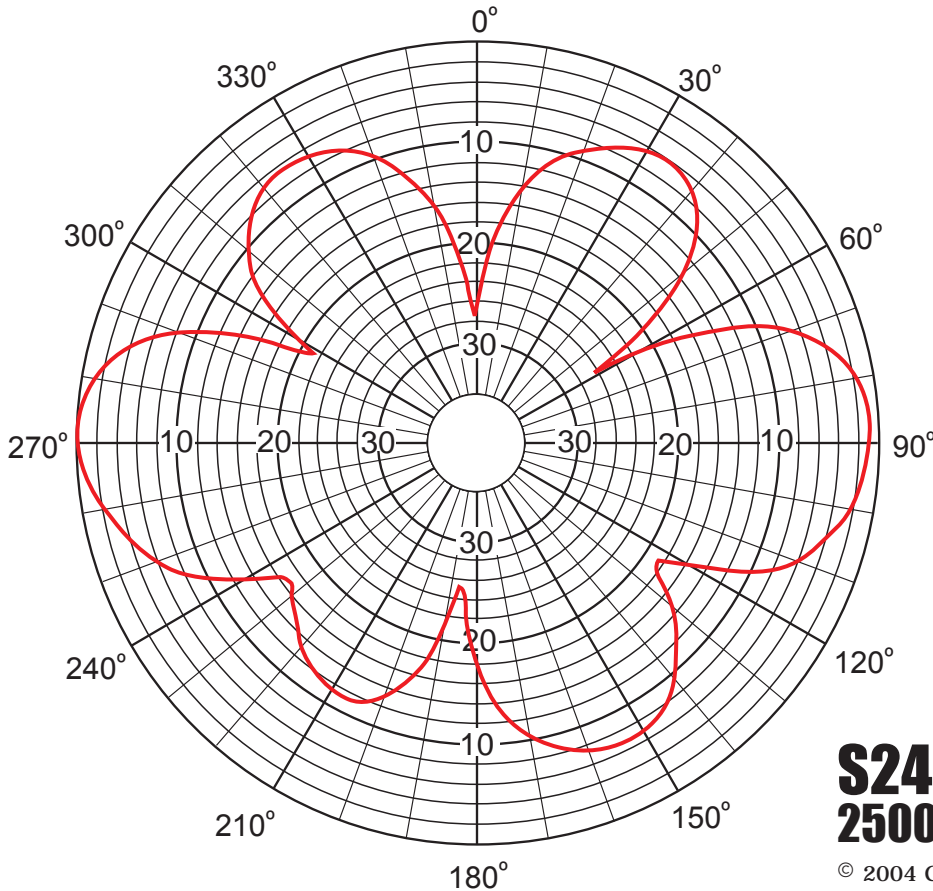
© 2004 Cushcraft Corporation



48 Perimeter Road
Manchester, NH 03103

Tel: 603-627-7877

Fax: 603-627-1764



Peak Gain = 4.0 dBi

S2403BPXH33RSM

2500 MHz / E-Plane

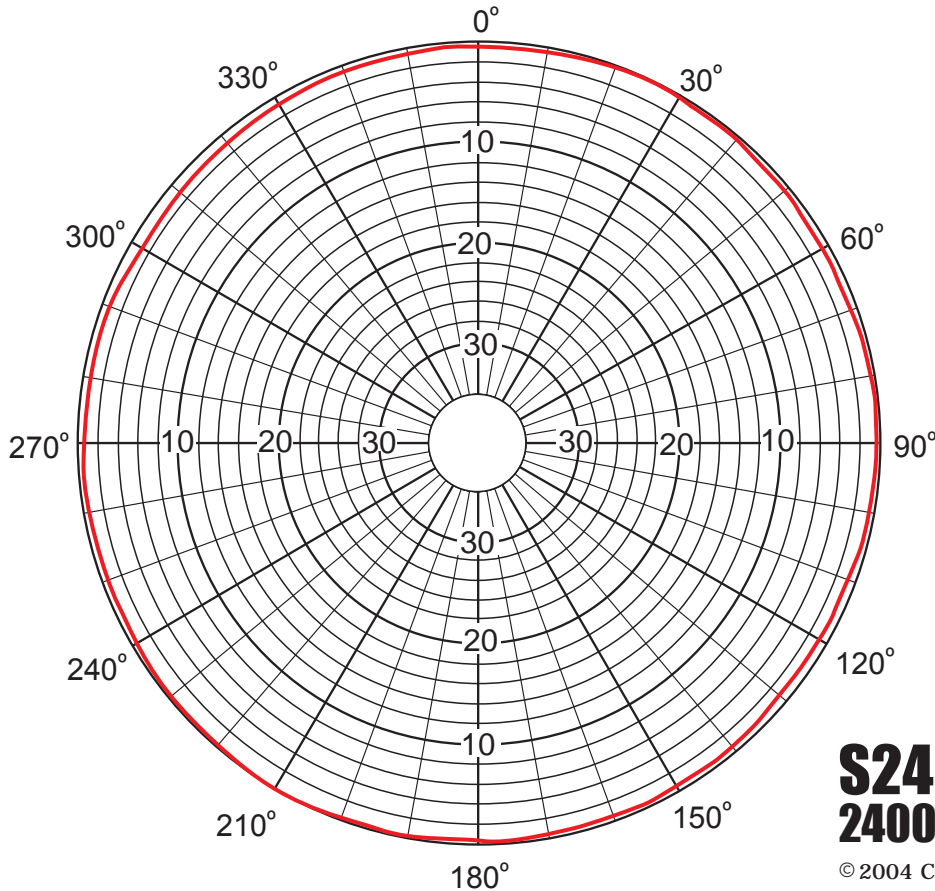
© 2004 Cushcraft Corporation



48 Perimeter Road
Manchester, NH 03103

Tel: 603-627-7877

Fax: 603-627-1764



Peak Gain = 4.2 dBi

S2403BPXH33RSM

2400 MHz / H-Plane

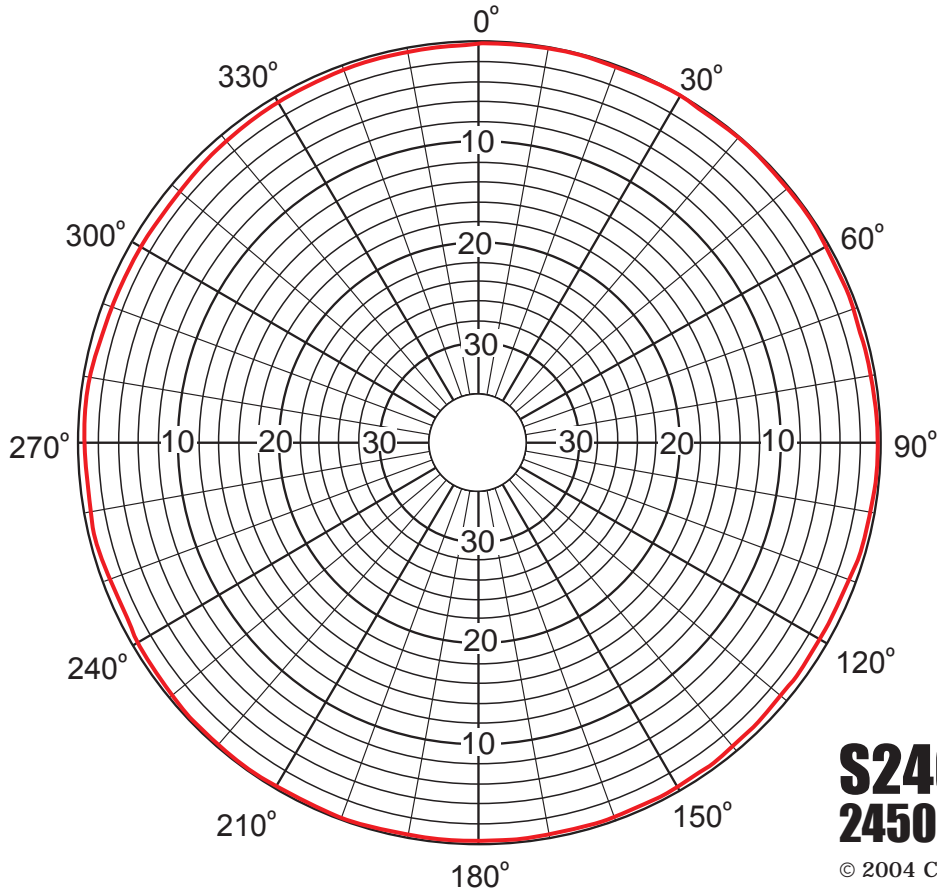
© 2004 Cushcraft Corporation



48 Perimeter Road
Manchester, NH 03103

Tel: 603-627-7877

Fax: 603-627-1764



Peak Gain = 3.9 dBi

S2403BPXH33RSM

2450 MHz / H-Plane

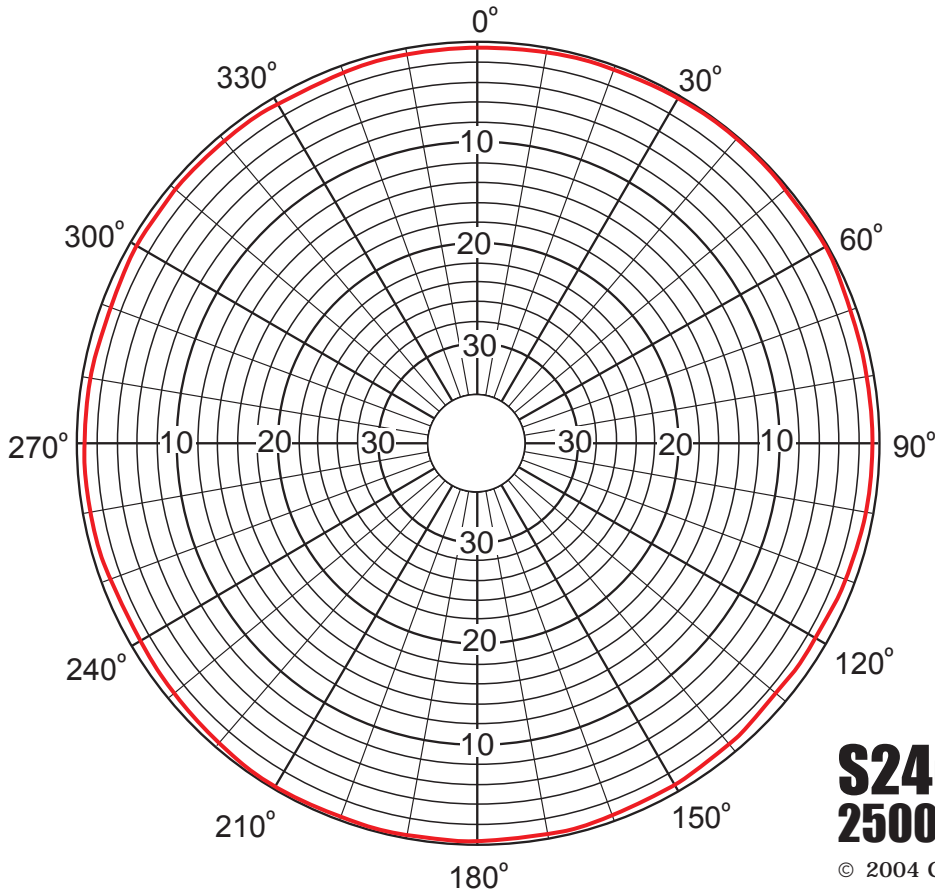
© 2004 Cushcraft Corporation



48 Perimeter Road
Manchester, NH 03103

Tel: 603-627-7877

Fax: 603-627-1764



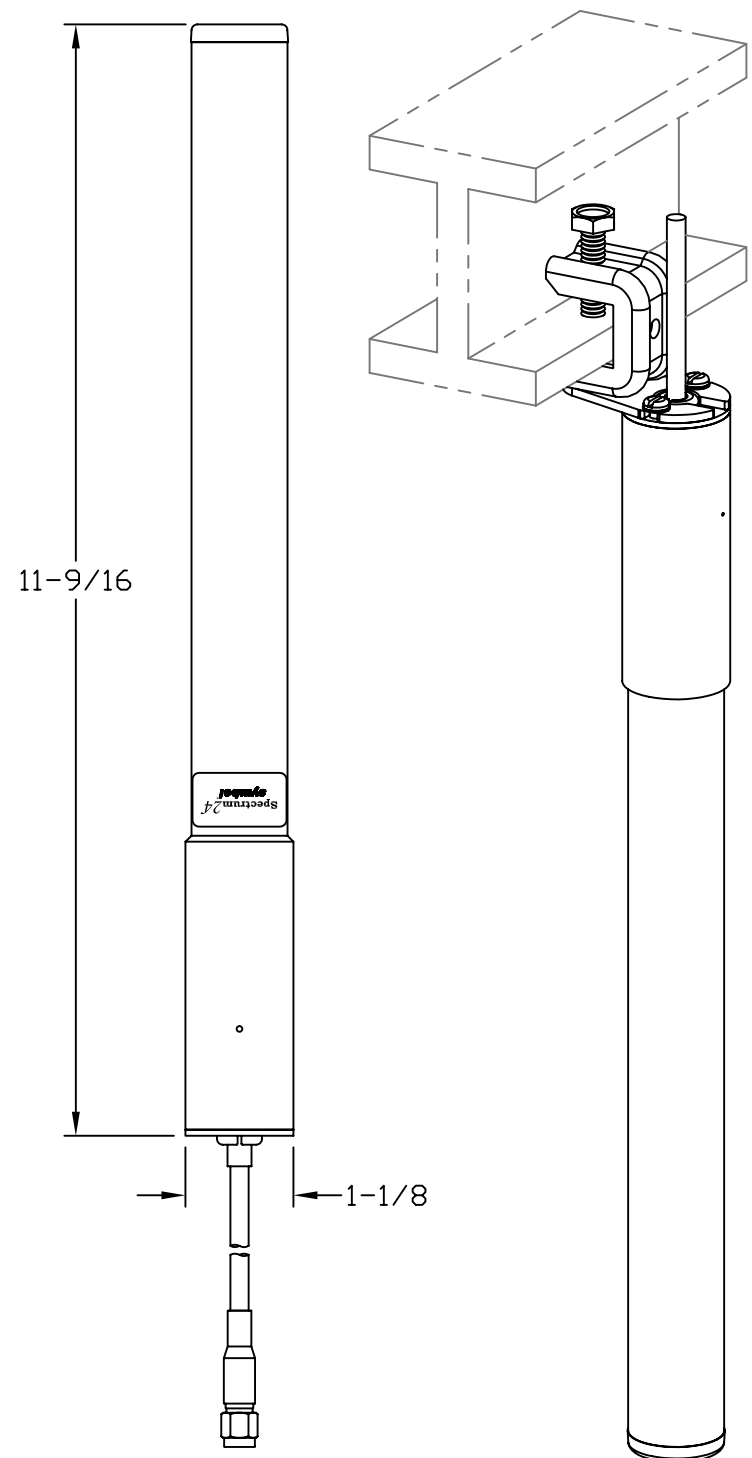
Peak Gain = 4.0 dBi

S2403BPXH33RSM

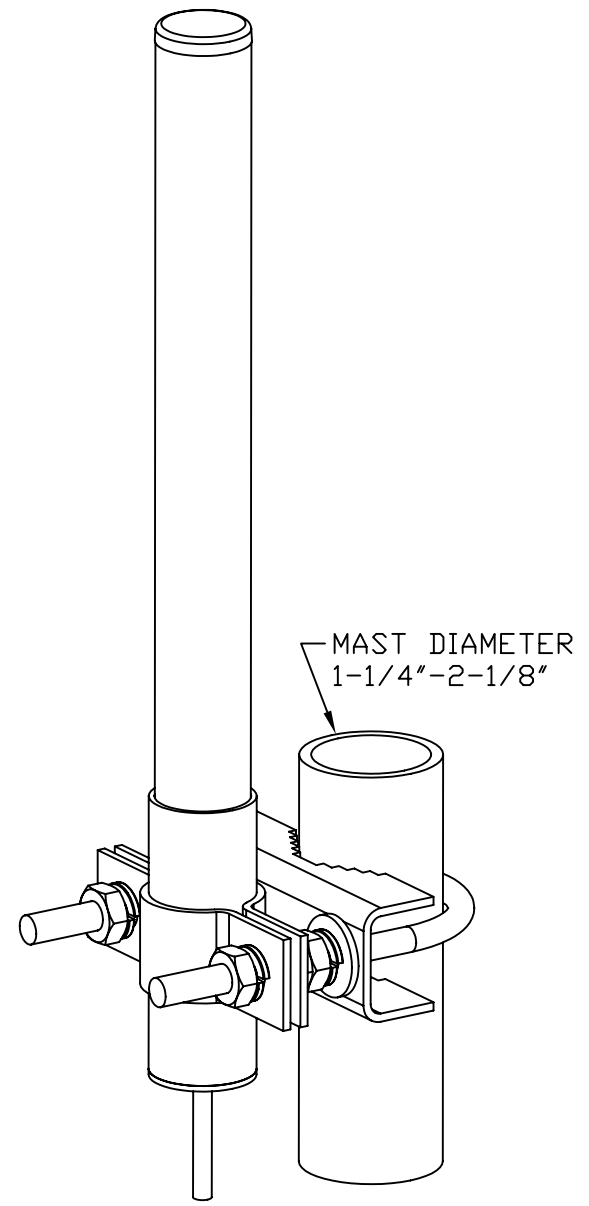
2500 MHz / H-Plane

© 2004 Cushcraft Corporation

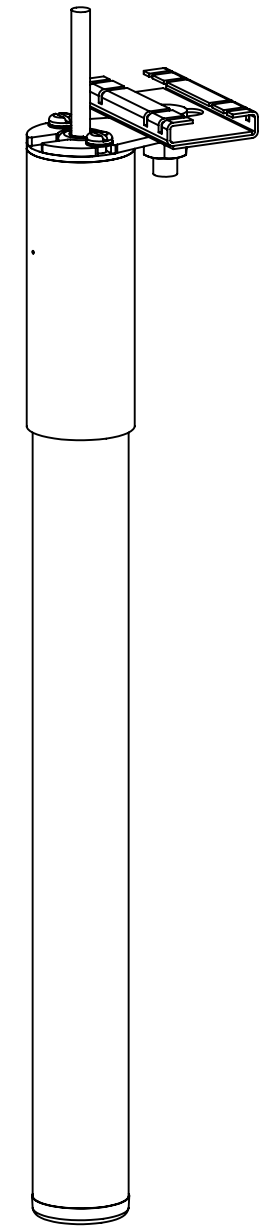
REVISION			
LTR	DESCRIPTION	DATE	INITIAL
1	PRELIMINARY RELEASE	3-3-04	SWJ
AA	FORMAL RELEASE	4-8-04	SWJ



I-BEAM CLAMP CONFIGURATION (INDOOR ONLY)



MAST MOUNT CONFIGURATION



CEILING MOUNT CONFIGURATION (INDOOR ONLY)

Parameter	Performance
HP Part Number	J8441A
Cushcraft Part Number	(S2403BPXH33RSM)
Frequency (MHz)	2400-2500
Gain dBi (w/12" cable)	5
Gain dBi (w/specified cable)	4.4
VSWR max	1.7:1
E-Plane (3 dB beamwidth)	31°
H-Plane (3 dB beamwidth)	Omnidirectional
Polarization	Linear (Vertical)
Impedance (Ohms)	50
Weight lb./kg	0.41 (0.14)
Mounting Style	Ceiling or Mast
Wind Surface Area ft ² (m ²)	0.08 (0.007)
Wind Survival mph (km/hr)	125 (200)
Enclosure	Polycarbonate, White
RF Connector	Rev. SMA (m)
Pigtail	33" CMP Plenum
Storage Temp min/max	-40 to +65 C
Operating Temp min/max	-30 to +55 C

MATERIAL:	DRAWN S JOHNSON	DATE 3-3-04	CUSHCRAFT 48 PERIMETER ROAD MANCHESTER NH. 03108
	ENGINEER R LITTLEFIELD	DATE 4-8-04	
DO NOT SCALE DRAWING	ENGINEERING MGR A ALEVY	DATE 4-8-04	TITLE: S2403BPXH33RSM MOUNTING & OUTLINE
UNLESS OTHERWISE SPECIFIED TOLERANCES ARE: ANGLES ± 2° FRACTIONS ± 1/16" .XX ± 0.030" .XXX ± 0.015"	FINISH:		DRAWING NO. S2403BPXH33RSMMO
			REV AA
	SCALE 1:2	SIZE B	SHEET 1 OF 1

CONFIDENTIAL
 © 2004, Cushcraft Corporation. Information contained in this document is of a proprietary and/or legally privileged nature. It may not be reproduced without express written permission of Cushcraft Corporation, Manchester, NH.