

2.4 GHz WIRELESS COLOR SECURITY SYSTEM

Instruction Manual

English Version 1.0

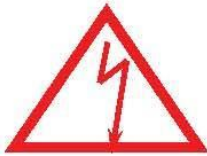


Before operating the system, please read this manual
thoroughly and retain it for future reference.

This product broadcasts over public airwaves and its video and audio signals may be
intercepted without your consent.

	CAUTION	
	RISK OF ELECTRIC SHOCK. DO NOT OPEN.	
CAUTION: TO REDUCE THE RISK OF ELECTRIC SHOCK, DO NOT REMOVE COVER (OR BACK). NO USER-SERVICEABLE PARTS INSIDE. REFER SERVICING TO QUALIFIED SERVICE PERSONNEL.		

Explanation of two Symbols



The lightning flash with arrowhead symbol, within an equilateral triangle, is intended to alert the user to the presence of uninsulated "dangerous voltage" within the product's enclosure that may be of sufficient magnitude to constitute a risk of electric shock to persons.



The exclamation point within an equilateral triangle is intended to alert the user to the presence of important operating and maintenance(servicing) instructions in the literature accompanying the appliance.

THE GRAPHIC SYMBOLS WITH SUPPLEMENTAL MARKING ARE ON THE BOTTOM OF THE SYSTEM.

WARNING: To prevent fire or shock hazard, do not expose this unit to rain, water, or wet locations. Do not insert any metallic object through the ventilation grills.

FCC CLASS B NOTICE

Note:
 This equipment has been tested and found to comply with the limits For a Class B digital device, pursuant to Part 15 of the FCC Rules. These limits are designed to provide reasonable protection against harmful interference in a residential installation. This equipment generates, uses and can radiate radio frequency energy and, if not installed and used in accordance with the instruction, may cause harmful interference to radio communications. However, there is no guarantee that interference will not occur in a particular installation. If this equipment does cause harmful interference to radio or television reception, (which can be determined by turning the equipment off and on), the user is encouraged to try to correct the interference by one or more of the following measures:

- Reorient or relocate the receiving antenna
- Connect the equipment into an outlet on a circuit different from that to which other devices may be connected.
- Consult the dealer or an experienced radio or television technician for help.

SAFETY INSTRUCTIONS

IMPORTANT SAFEGUARDS

All the safety and operating instructions should be read before the system is operated, and retained for future reference.

- 1. HEED WARNINGS** - All warnings on the appliance and in the operating instructions should be adhered to.
- 2. FOLLOW INSTRUCTIONS** - All operating instructions should be followed.
- 3. WATER AND MOISTURE** - Do not use this video product near water – for example, a bath tub, wash bowl, kitchen sink, laundry tub or swimming pool, or in a wet basement.
- 4. POWER SOURCES** - This product should be operated only from the type of power source indicated on the marking label.
- 5. OVERLOADING** - Do not overload outlets and extension cords, which can result in a risk of fire or electric shock.
- 6. SERVICING** - Do not attempt to service this product yourself. Opening or removing covers may expose you to dangerous voltage or other hazards. Refer all servicing or repairs to qualified service personnel.
- 7. DAMAGE REQUIRING SERVICE** - Unplug this product from the wall outlet and refer servicing or repairs to qualified service personnel under the following conditions:
 - a. When the power supply cord or plug is damaged.
 - b. If liquid has been spilled or objects have fallen into the product.
 - c. If the product has been exposed to rain or water.
 - d. If the product does not operate normally by following the operating instructions. Adjust only those controls that are covered by the operating instructions.
 - e. If the product has been dropped or the cabinet has been damaged.
 - f. When the product exhibits a distinct change in performance.
- 8. REPLACEMENT PARTS** - When replacement parts are required, be sure the service technician has used replacement parts that are specified by the manufacturer or have the same characteristics as the original part. Unauthorized substitutions may result in fire, electric shock, or other hazards.
- 9. SAFETY CHECK** - Upon completion of any service or repairs to this video product, ask the service technician to perform safety checks to determine if the video product is in proper operating condition.
- 10. An appliance and cart combination should be moved with care.**

Do not place this equipment on an unstable cart, stand, or table. The equipment may fall, causing serious injury to a child or adult, and serious damage to the equipment. Wall or shelf mounting should follow the manufacturer's instructions and should be done with a mounting kit approved by the manufacturer.

TABLE OF CONTENTS

PAGE

INTRODUCTION & FEATURES.....	1
SYSTEM INCLUDES.....	2
CONTROLS AND FUNCTIONS	
Wireless Camera.....	3
Wireless Receiver.....	4
INSTALLATION OF WIRELESS CAMERA.....	5
INSTALLATION OF WIRELESS RECEIVER	
Operation with TV (Using RCA Cables).....	6
Operation with TV (Using Coaxial Cable)	7
SYSTEM OPERATION	
Multiple Cameras / Auto Scanning.....	8
Auto/Manual Options / Selectable Settings.....	9
TROUBLE SHOOTING	10
TECHNICAL SPECIFICATIONS	11
CARE & MAINTENANCE.....	12

INTRODUCTION:

Thank you for purchasing the 2.4 GHz Wireless Color Camera & Receiver System. This system turns your TV into a Video Security System, providing instant protection in your home or office. Avoid the hassle of running wires. This system is easy to install and operate for immediate applications.

The system is capable of connecting up to 4 cameras (additional cameras sold separately) with the option to automatically scan between locations.

To learn more about this 2.4GHz Wireless Camera & Receiver System and our complete range of CCTV products, please visit our website at:

FEATURES:

- Listen-in audio
- 300 ft Wireless Transmission (open space)
- 2.4 GHz Wireless Transmission
- Crystal clear Video and Stereo audio
- 4 Channel Wireless System
- Record picture to any standard VCR
- Automatic IR illumination provides B&W video images in low light conditions**
- Bonus clip-on stand included for quick mounting application

* IP44 rated for Indoor and Outdoor use. Not recommended for direct exposure to water, rain or snow.

** IR illumination range of 6ft. under ideal conditions. Objects at or beyond this range may be partially or completely obscured, depending on the camera application.

SYSTEM INCLUDES: _____



1 - 2.4 GHz Color Wireless Camera



1 - 2.4 GHz Wireless Receiver



**1 - Wall Mounting
Bracket**



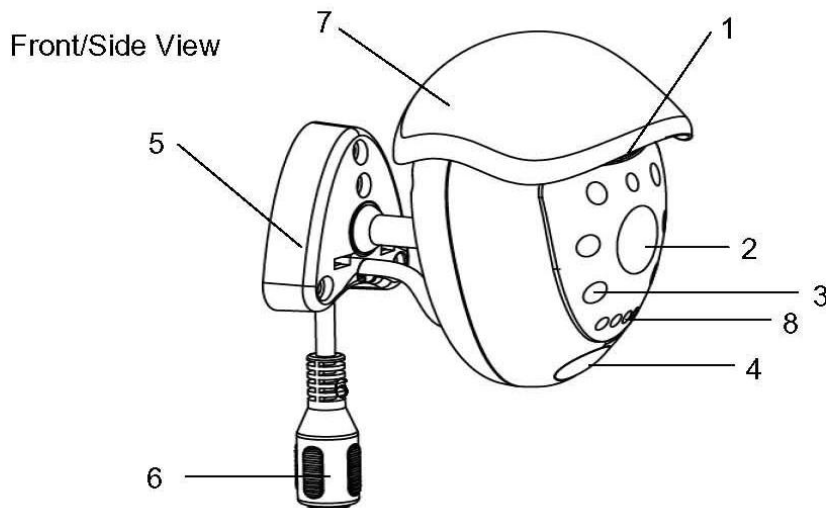
**1 - Clip-on Stand
Bracket**

Also includes:

- 2 – 9V DC Adapters
- 1 – RCA Audio/Video Cable
- 1 – Coaxial Cable

CONTROLS & FUNCTIONS

WIRELESS CAMERA

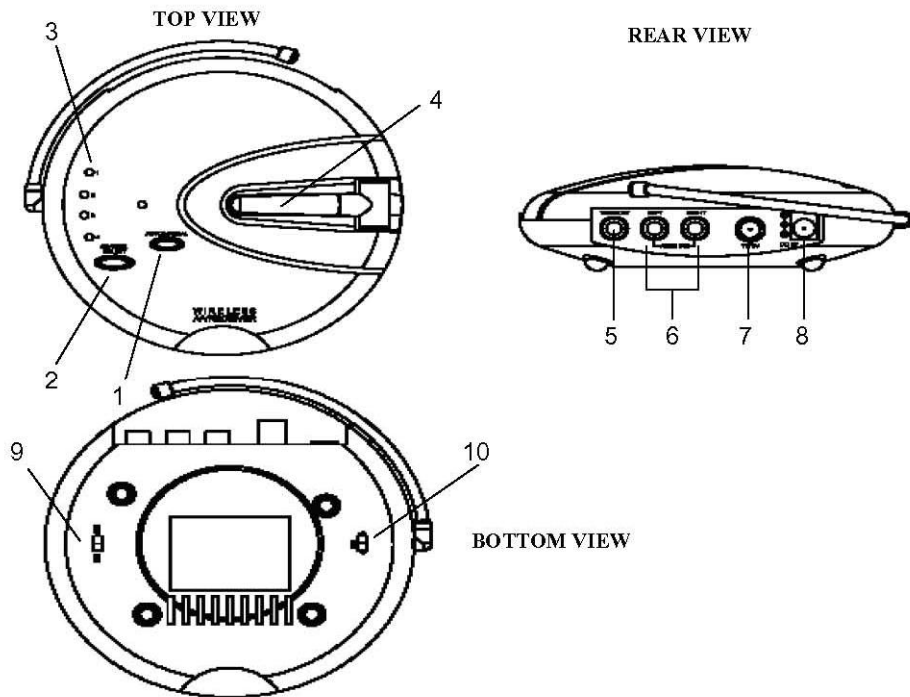


1. **Microphone** – Built-in condenser microphone provides listen-in audio capability from camera to monitor
2. **Lens** – COLOR CMOS Image Sensor
3. **6 Infrared LED's** – Enhances the picture quality in low light conditions*
4. **Channel Selector/Power Button** – Selects channels 1-4. Holding this button for 3 seconds turns the power ON/OFF (by default the camera is ON).
5. **Bracket** – Plastic bracket connects to camera for mounting to walls, ceilings or table
6. **DC IN Jack** – Connects to the 9V DC adapter.
7. **Sunshade Visor** – Protects camera from the elements and blocks the camera from the direct glare of the sun.
8. **LED Channel Indicator** – Shows the channel (1-4) that the camera is set to.

* IR illumination range of 6ft. under ideal conditions. Objects at or beyond this range may be partially or completely obscured, depending on the camera application.

CONTROLS & FUNCTIONS

WIRELESS RECEIVER



- 1. Auto/Manual Button** – Used to activate/deactivate auto sequencing
- 2. Channel Selector Button** – Used to manually switch channels from 1-4
- 3. LED Channel Indicators** – Indicator light shows selected channel
- 4. 2.4 GHz Antenna** – High gain dipole antenna receives audio and video signal from the wireless camera
- 5. Video Output Jack (Yellow)** – RCA jack for video output connector (when using RCA connector)
- 6. Audio Output Jacks L (White) & R (Red)** – RCA jacks for audio output connector (when using RCA connector)
- 7. RF Out Jack (To TV)** – Connects the receiver to a TV using the supplied coaxial cable (alternative to RCA cable connection).
- 8. DC IN Jack** – Connects to the power supply of the receiver
- 9. ON/OFF Power Switch** – Ensure this switch is set to OFF before plugging the system into an electrical outlet
- 10. Channel 3/4 Selector Switch** – Used to view picture on television when using coaxial cable (preset to channel 3)