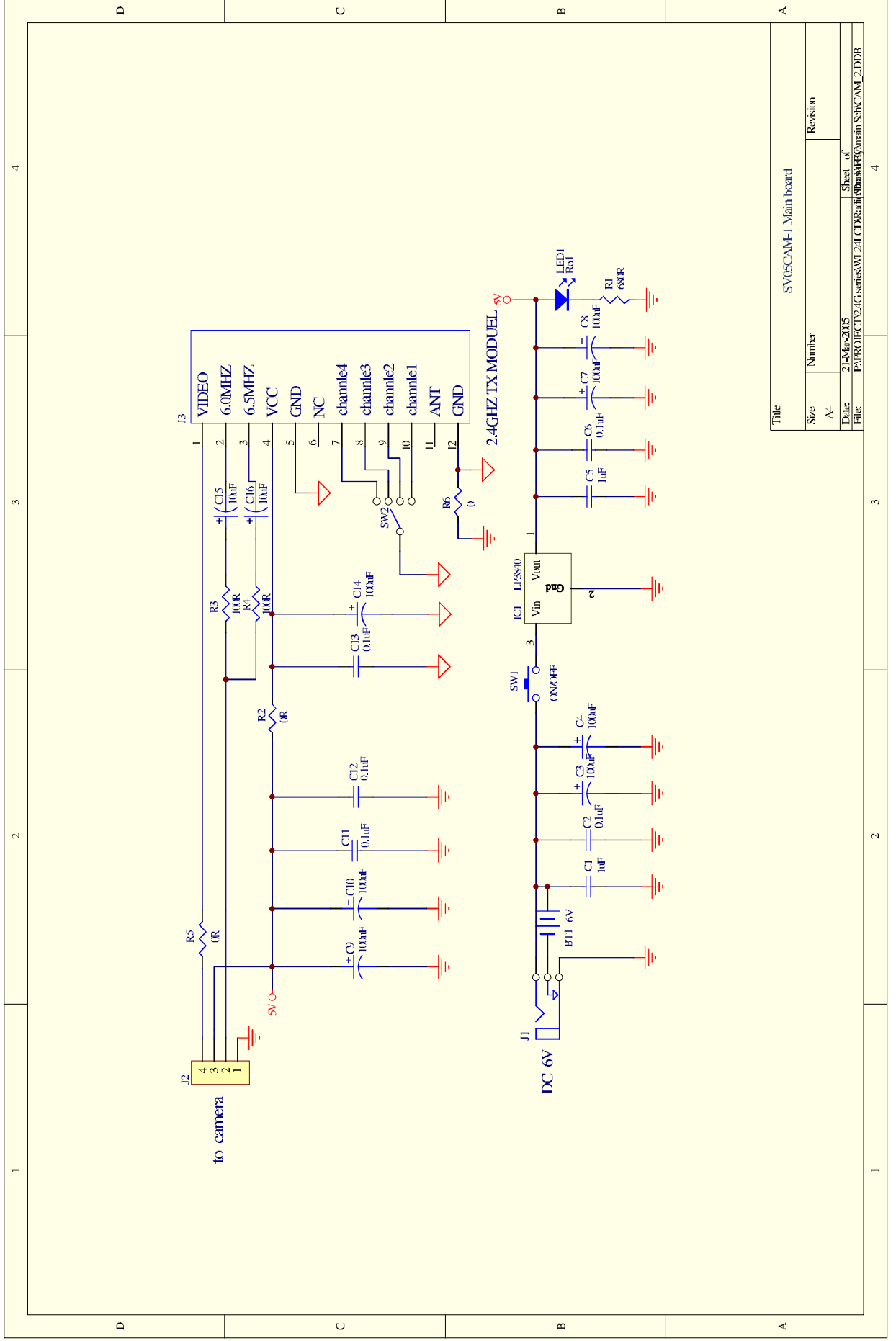
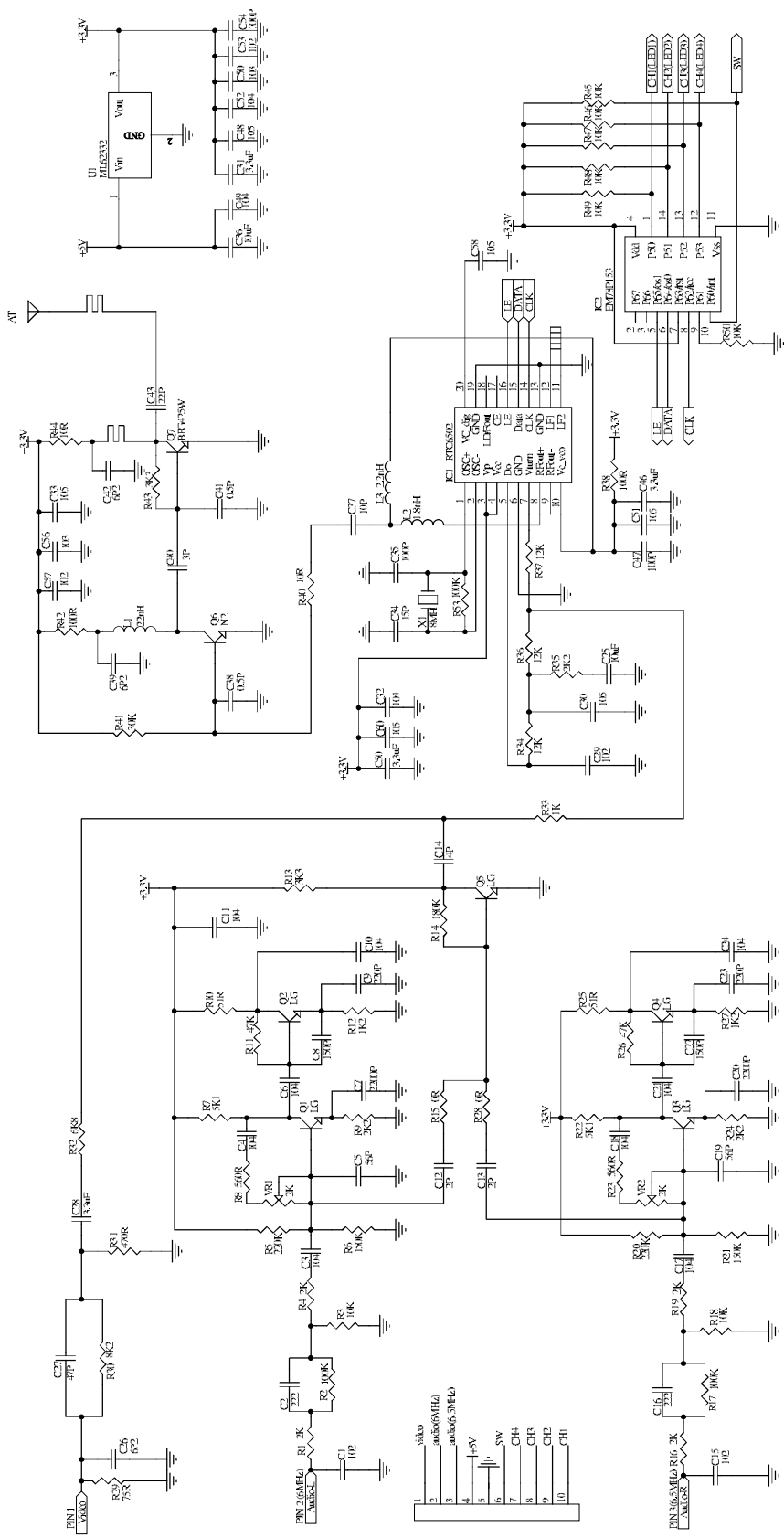


Title: SV05CAM-1 Color Camera Module

Size	Number	Revision
A4	BABY_MON_CAM	V1.0
Date:	21-Mar-2005	Sheet of
File:	PA\PROJECT\2-IG-series\VL2-1\CDR\alt\SV05CAM-1.DDB	4



Title		SV/5CAM-1 Main board	
Size	Number	Revision	
A4			
Date:	21-Mar-2005	Sheet of	4
File:	PROJECT\2-IG-series\VL2-4LCDR\alt\SV5CAM1B\main SchCAM_2.DDB		



2	5kΩ
3	40kΩ(NHFL)
4	40kΩ(SMFL)
5	10kΩ
6	10kΩ
7	CH4
8	CH4
9	CH4
10	CH1