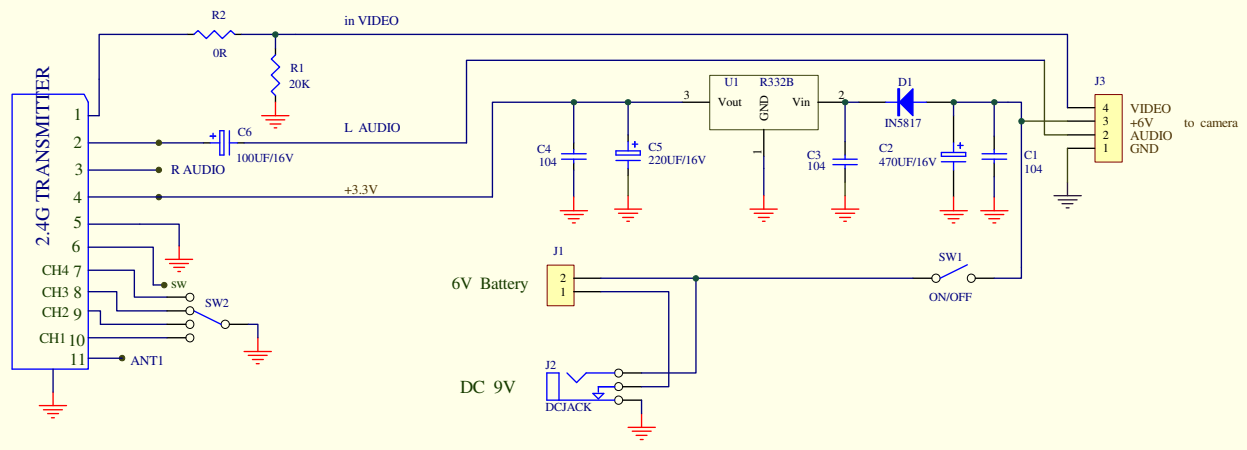


Title		
Size	Number	Revision
B		
Date:	20-Jul-2004	Sheet of
File:	G:\module\small-m\Fcc\WM24Tv14\Fcc.DD	Drawn By:



Title		
SV-03-CAM		
Size	Number	Revision
B		
Date:	20-Jul-2004	Sheet of
File:	P:\PROJECT\2.4G series\WM24BRX\Appl\Drawn\BYCC June 10\FCC\WL2003CAM\WL2003C	

Protronic (Far East) Ltd.

Rm. 1303 Nanyang Plaza,
57 Hung to Road, Kwun Tong.
Kowloon, Hong Kong.
Tel. (852) 23308842 Fax.: (852) 23308843

Strategic/FCCID: RTMSV-03-C

Jul 29, 2004.

Federal Communications Commission
Authorization and Evaluation Division
7435 Oakland Mills Road
Columbia, MD 21046

To Whom It May Concern:

I would like to confirm you that, we would do the following modifications for the future production and shipment:

- 1) Change R29 from 20K to 39K.
- 2) Change L (22nH) to a bead (Ceratech Part No: HB-1M1608-601JT.
Spec: 600 ohm at 100 MHz, DCR: 0.4 ohm.
- 3) Change R35 from 150 ohm to 560 ohm.
- 4) Change C39 (0.75P) to an Inductor (100 uH).
- 5) Short C35 (0.5P).
※ Refer to the Schematic (attached by fax)
- 6) Remove the Shield Case mounted over the components. It made worse when we inserted it after modifications. We affixed a Metal Tape the bottom instead, but it may also be deleted through their verification.

Best regards,

For and on behalf of East) Ltd.
PROTRONIC (FAR EAST) LIMITED
保力達有限公司

Authorized Signature(s)
Patrick Poon
District Manager

