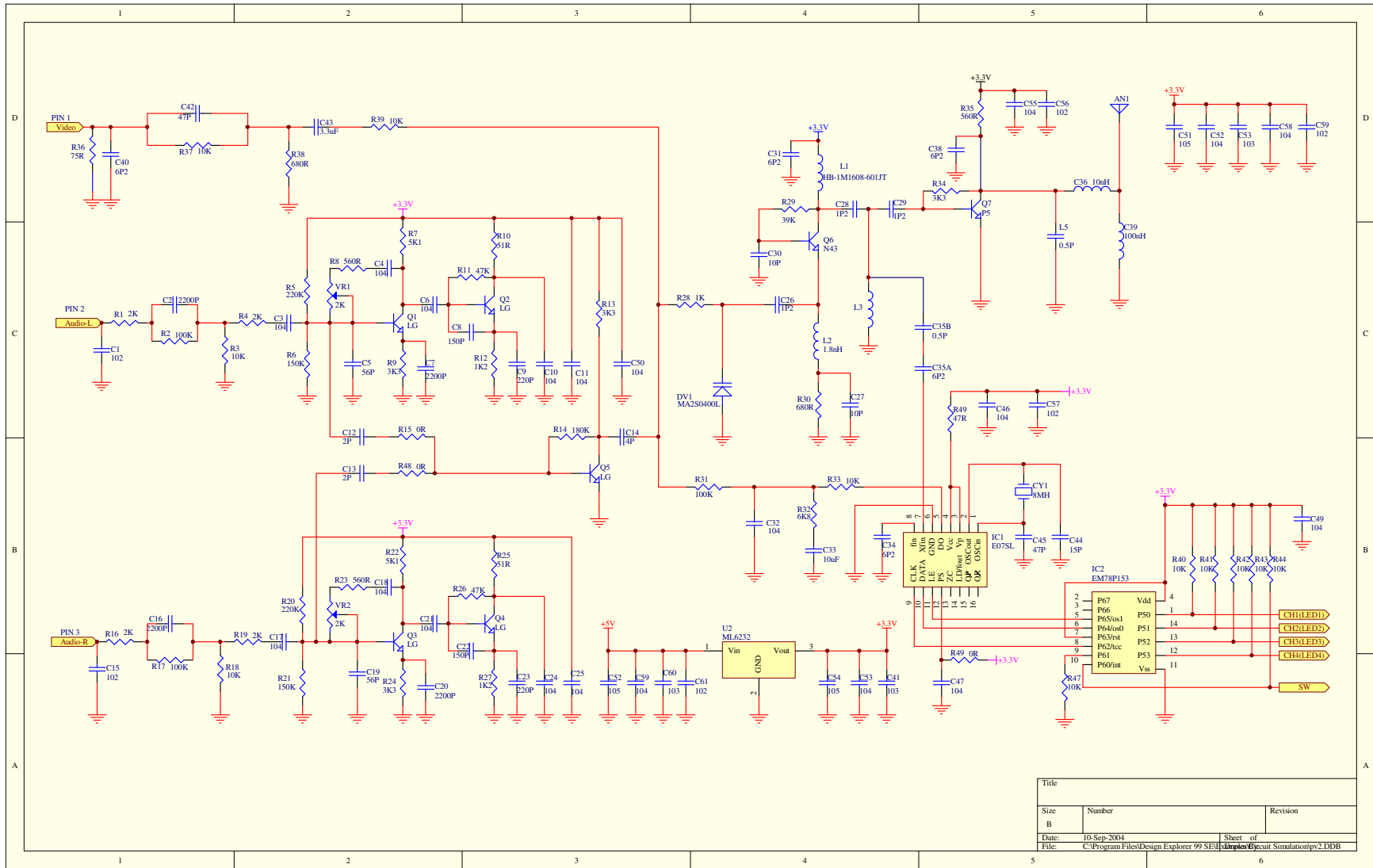
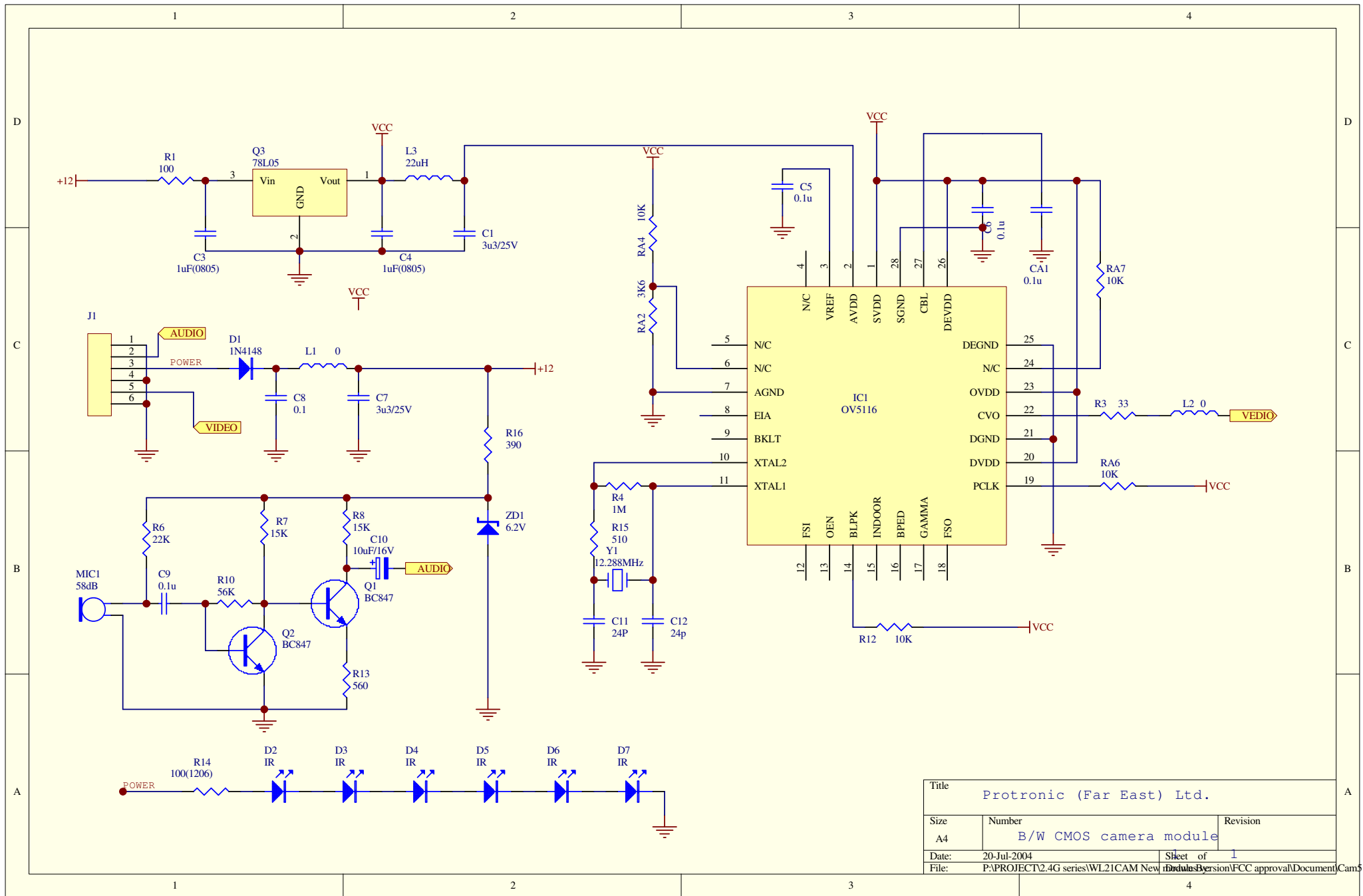


Title		
SV-01A-CAM		
Size	Number	Revision
A4		
Date:	20-Jul-2004	Sheet of
File:	P:\PROJECT\Inverter\INV800\EMC approval\BWL2001CAM V31.DDB	



Title		
Size	Number	Revision
B		
Date:	10-Sep-2004	Sheet of
File:	C:\Program Files\Design Explorer 99 SE\Projects\Bycuit Simulation\pv2.DDB	



Title			Protrotronic (Far East) Ltd.		
Size	Number	Revision			
A4	B/W CMOS camera module				
Date:	20-Jul-2004	Sheet of	1		
File:	P:\PROJECT\2.4G series\WL21CAM New module version\FCC approval\Document\Cams1116...				