

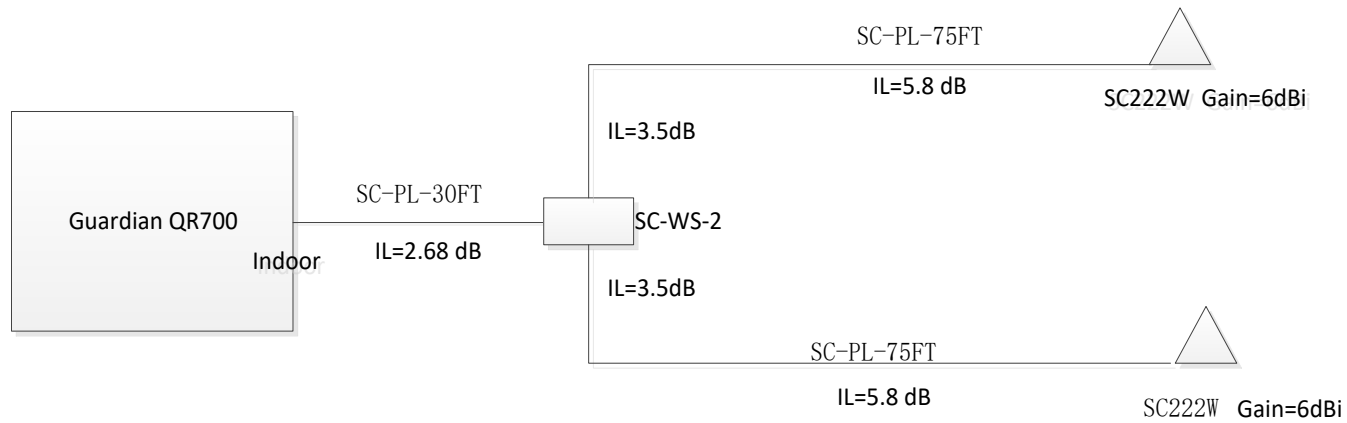


48346 Milmont Dr., Fremont, CA 94538
 Phone: 510-770-0469 Fax: 510-996-7250
 www.surecall.com

Antenna Kitting Information

Guardian2QR

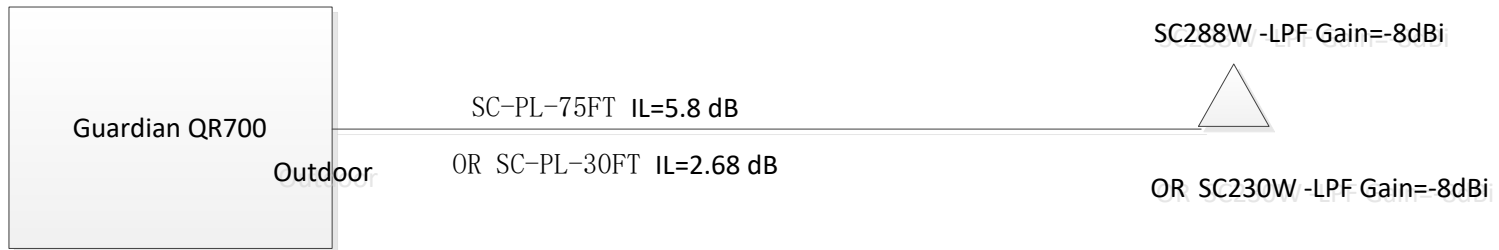
Component	Prod No. Description	Gain		Notes
		758-861MHz	1550-2550MHz	
Outdoor Antenna	SC288W	3dBi	3dBi	
	SC230W	10dBi	8dBi	
Outdoor Cable	SC-PL-30FT	-2.12 dB	-2.12 dB	
	SC-PL-75FT	-4.41 dB	-4.41 dB	
Indoor Antenna	SC222W	3dBi	6dBi	
Indoor Splitter	SC-WS-2	-3.5dB	-3.5dB	
Indoor Cable	SC-PL-30FT	-2.12 dB	-2.68 dB	
	SC-PL-75FT	-4.41 dB	-5.8 dB	
*All equivalent antennas and cables are suitable for use with the Guardian2QR				



Indoor Antenna and cable total Gain At 1500-1700MHZ

$$= \text{“SC222W Gain=6dBi”} - \text{“SC-PL-75FT IL=5.8 dB”} - \text{“SC-WS-2 IL=3.5dB”} - \text{“SC-PL-30FT IL=2.68 dB”}$$

$$= 6 - 5.8 - 3.5 - 2.68 = -5.96$$



Outdoor Antenna and cable total Gain At 1500-1700MHZ
 = “SC288W -LPF Gain=-8dBi” - “SC-PL-75FT IL=5.8 dB”
 = -8-5.8=-13.8dB

OR Outdoor Antenna and cable total Gain At 1500-1700MHz
 = “SC230W -LPF Gain=-8dBi” - “SC-PL-30FT IL=2.68 dB”
 = -8-2.68=-10.68dB