



Innovation

Expert

Smart

DATA SHEET

WNC P/N : 08.52414.001



Innovation

Expert

Smart

DATA SHEET

P/N: EXD24140D01

Contents

1. Product Description	1
2. Features	1
3. Overall Performance	2
4. Product Characteristics	3
4.1 Radiation Pattern	3
5. Product Drawing	6
6. ROHS	6

Version Information

Version	Date	Author	Note
A0	July 15, 2022	Rebecca	Initial Draft
A1	July 30, 2022	Rebecca	Update the SPEC
A2	August 8, 2022	Rebecca	Add product drawing
A3	September 2, 2022	Rebecca	Update the Antenna picture
A4	September 14, 2022	Rebecca	Update the drawing
A5	September 30, 2022	Rebecca	Update the drawing
A6	October 17, 2022	Rebecca	Update the Radiation Pattern & drawing
A7	November 10, 2022	Rebecca	Add Measurement Axes
A8	March 14, 2023	Rebecca	Update the drawing
A9	March 24, 2023	Rebecca	Update the peak gain description
A10	March 31, 2023	Rebecca	Update the drawing
A11	April 11, 2023	Rebecca	Add IP66
A12	May 26, 2023	Rebecca	Update the Radome Material
A13	Jun 16,2023	Lucas	Update the drawing
A14	August 8, 2023	Rebecca	Add parts packaging

1. Product Description

Model EXD24140D01 is a WiFi antenna which has features of easy integration, can be directly connected to the product. The connector can be customized according to customer's request.

2. Features

The model EXD24140D01 antenna is defined by following features:

- 2.4GHz: $12.5\pm 0.5\text{dBi}$ / 5GHz: $15\pm 1\text{dBi}$
- High Efficiency
- Quick Integration

3. Overall Performance

CHARACTERISTICS	SPEC
Frequency Range	2400-2490 / 5150-5850MHz Port 1: 2400-2490MHz & 5150-5850MHz Port 2: 2400-2490MHz & 5150-5850MHz Port 3: 2400-2490MHz & 5150-5850MHz Port 4: 2400-2490MHz & 5150-5850MHz
Peak Gain (The max gain in the operating frequency band)	2.4GHz: 12.5 ± 0.5 dBi / 5GHz: 15 ± 1 dBi
VSWR	<2
Front-to-back ratio	≥ 25 dB
Isolation	≥ 22 dB
Feed Impedance	50 ohms
Antenna Dimensions	550*230*40mm
Connector	4*N JACK
Operating Temperature	-40~70°
Storage Temperature	-40~65°
Rated Wind Velocity	36.9m/s
Horizontal 3dB Beam Width	2.4GHz: $40 \pm 5^\circ$ / 5GHz: $20 \pm 5^\circ$
Vertical 3dB Beam Width	2.4GHz: $40 \pm 5^\circ$ / 5GHz: $20 \pm 5^\circ$
Maximum input power	50W
Operating relative Humidity	5% - 95%
Storage Humidity	$\leq 95\%$
Polarization	2*H + 2*V
Lightning Protection	DC Grounding
Radome Material	ABS-LG AF312C(UL94V-0)
Protection level	IP66 & IP67
Weight	3.3 ± 0.2 kg

4. Product Characteristics

4.1 Radiation Pattern

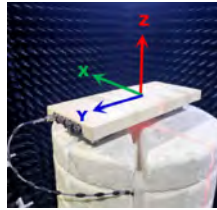


Figure 1: Model EXD24140D01 Measurement Axes

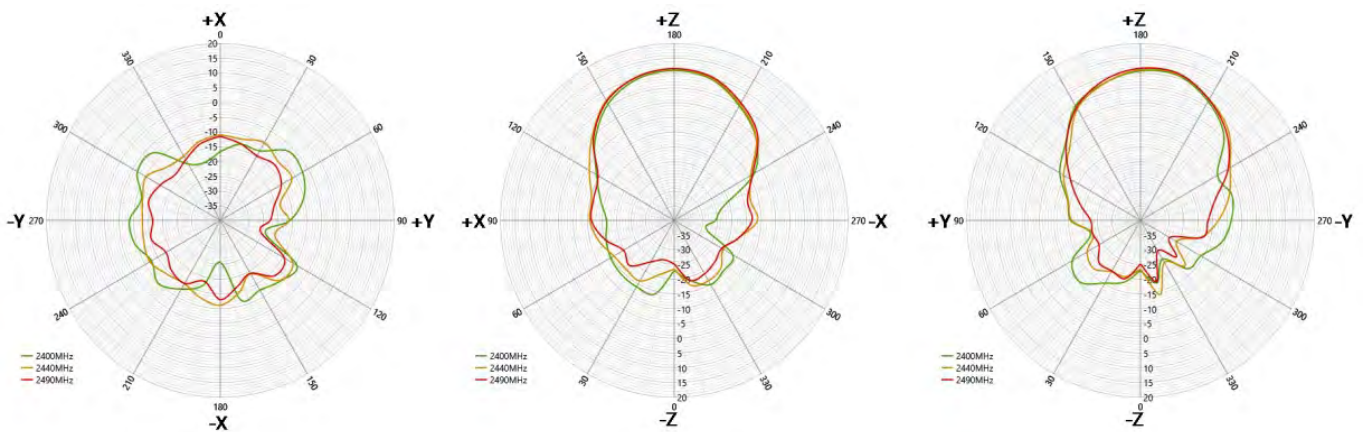


Figure 2: Model EXD24140D01 Radiation Patterns in 2.4G of port1

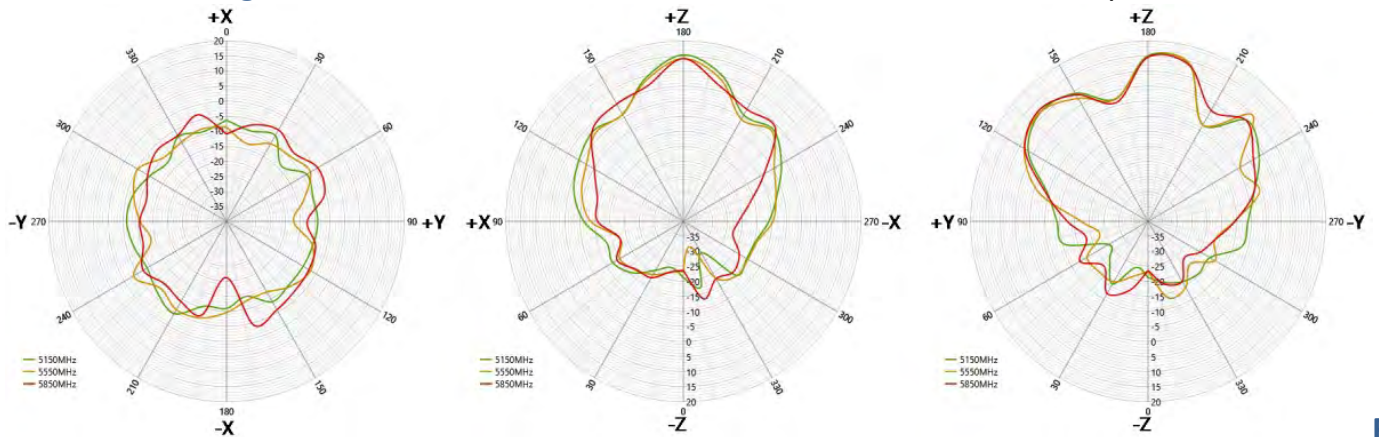


Figure 3: Model EXD24140D01 Radiation Patterns in 5G of port1

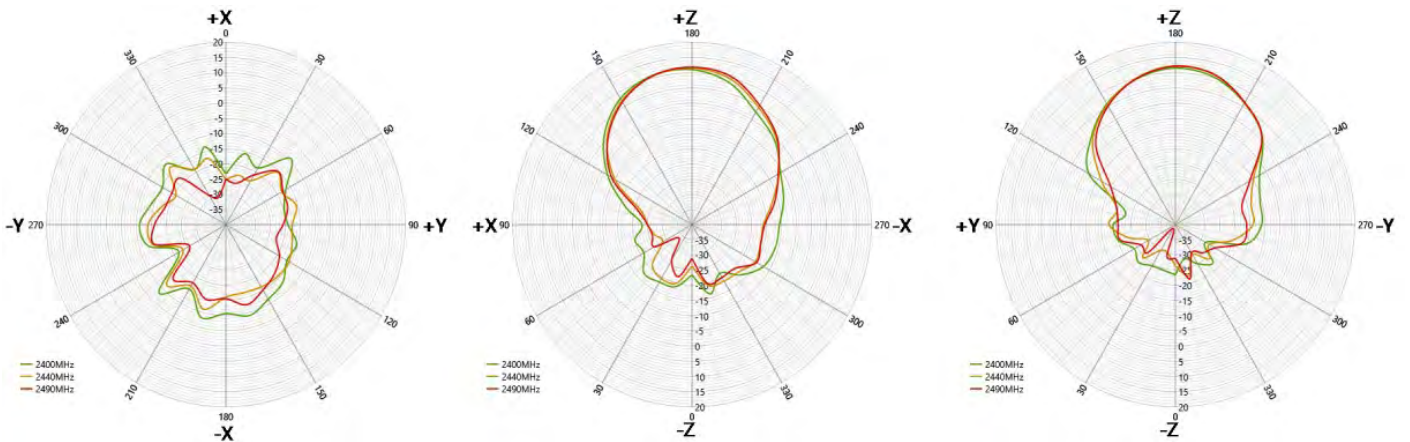


Figure 4: Model EXD24140D01 Radiation Patterns in 2.4G of port2

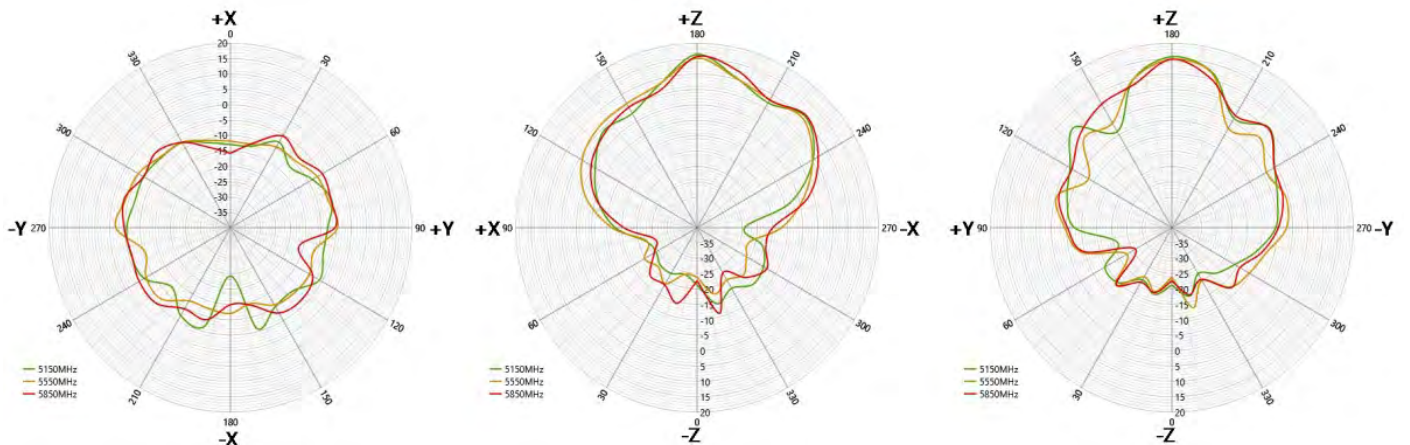


Figure 5: Model EXD24140D01 Radiation Patterns in 5G of port2

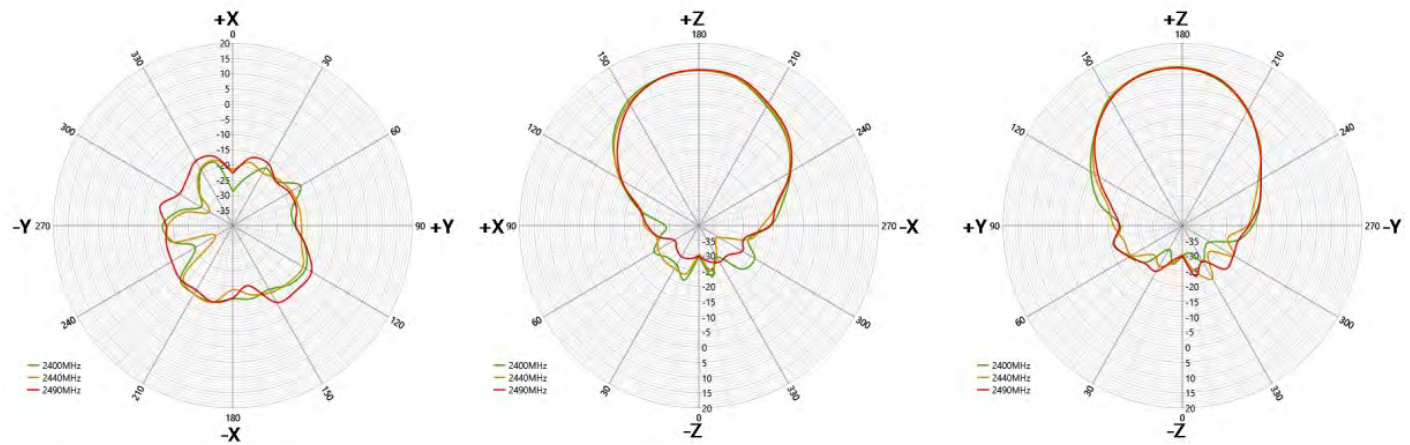


Figure 6: Model EXD24140D01 Radiation Patterns in 2.4G of port3

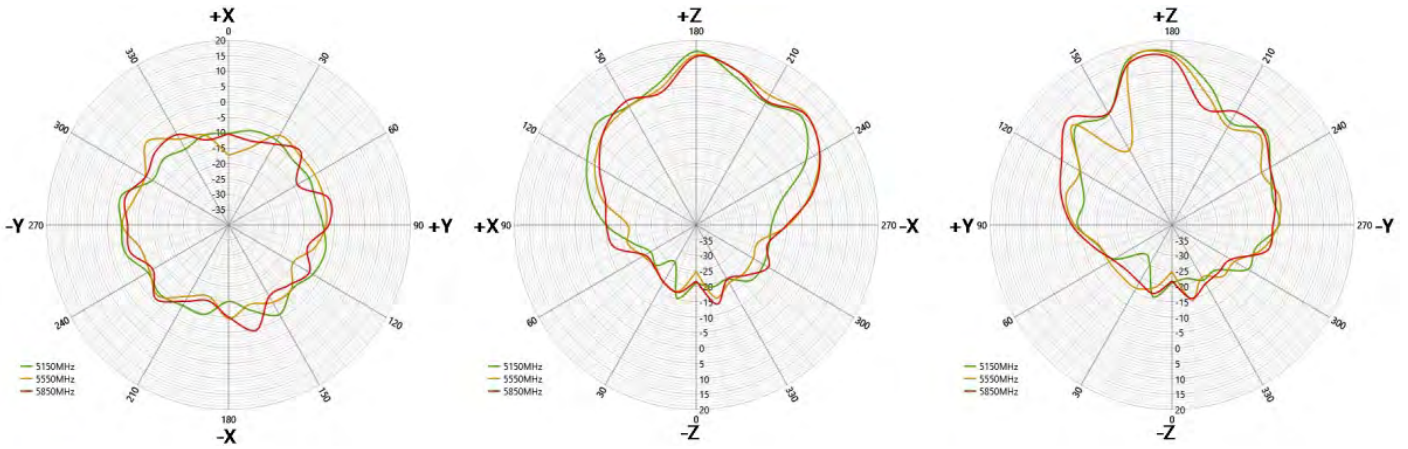


Figure 7: Model EXD24140D01 Radiation Patterns in 5G of port3

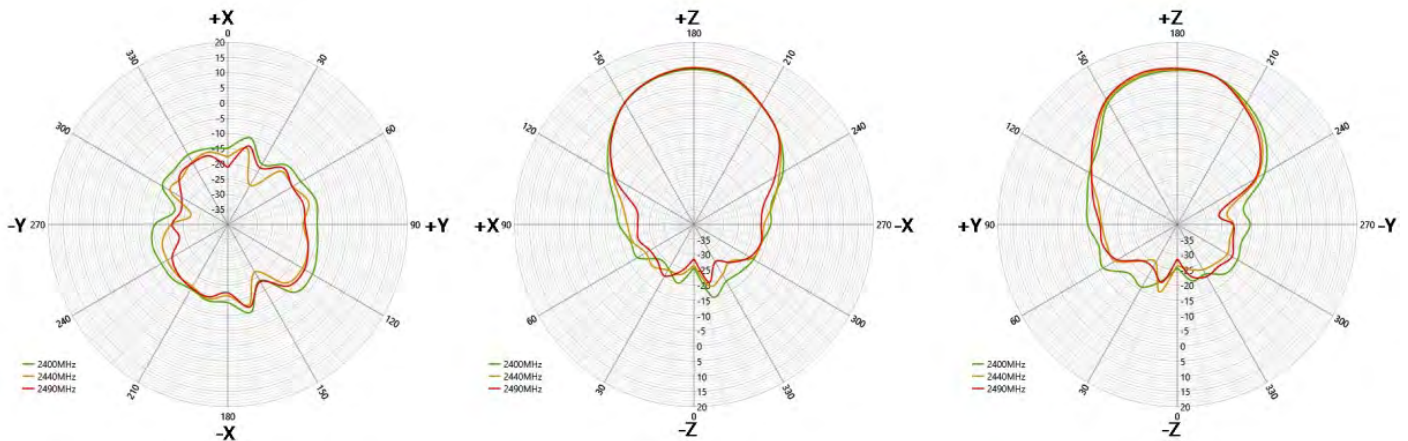


Figure 8: Model EXD24140D01 Radiation Patterns in 2.4G of port4

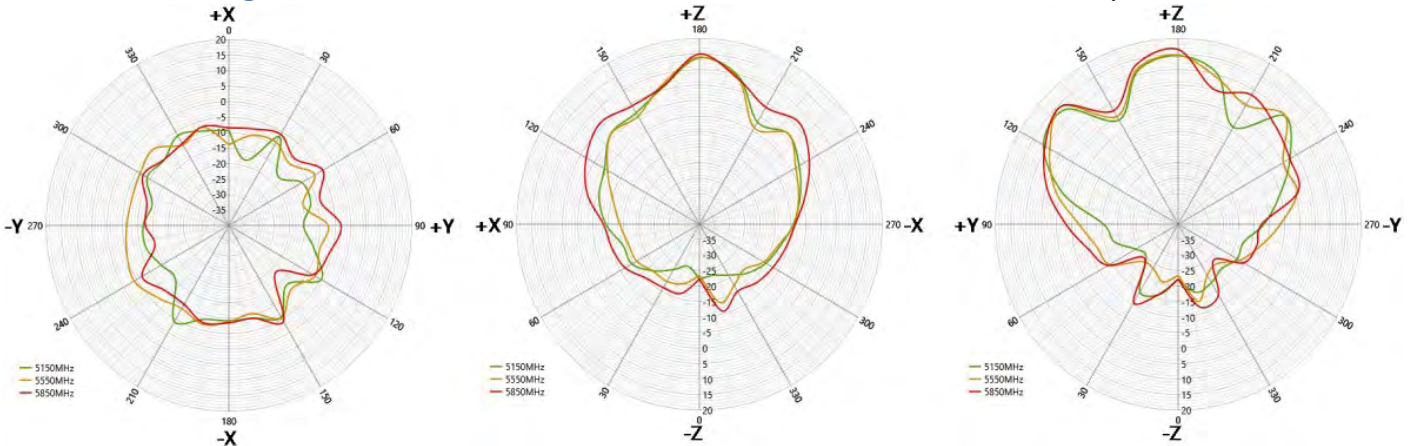


Figure 9: Model EXD24140D01 Radiation Patterns in 5G of port4

5. Product Drawing

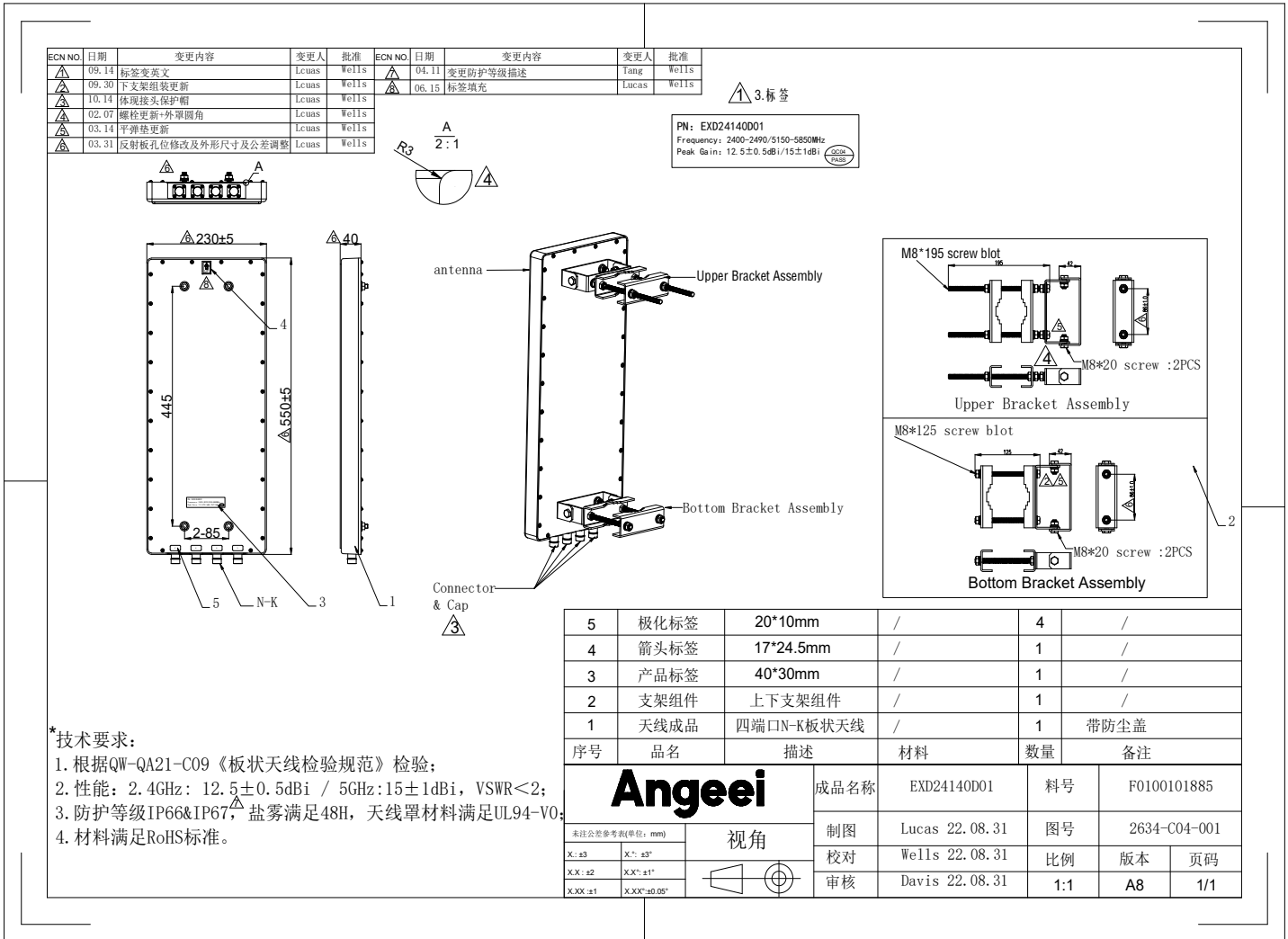
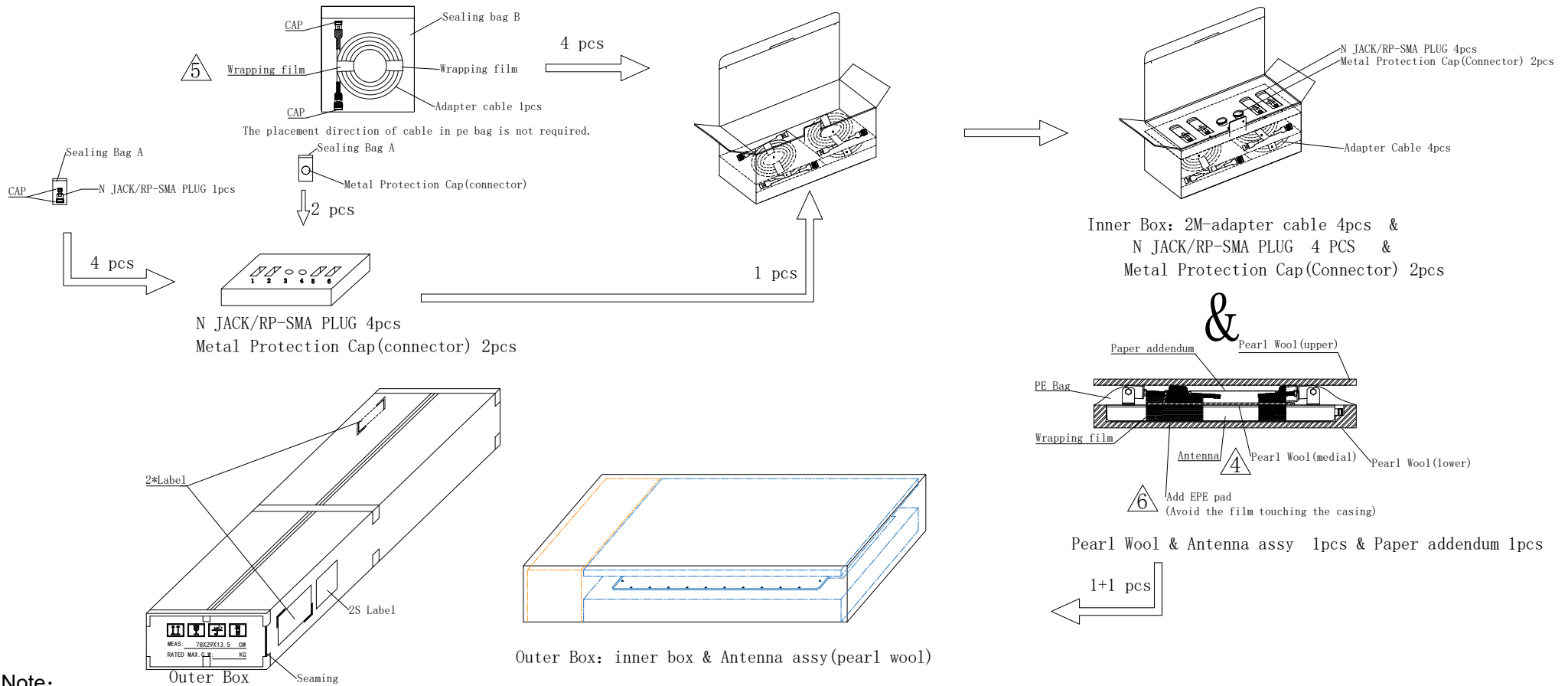


Figure 10: Model EXD24140D01 Dimensions

6. ROHS

Model EXD24140D01 antenna is RoHS compliant.

ECN NO.	DATE	DESCRIPTION	CHANGER	APPROVER	ECN NO.	DATE	DESCRIPTION	CHANGER	APPROVER
①	22.09.30	Single box packaging.	Lucas	Davis	④	23.05.24	Packaging change	Tang	Davis
②	23.02.09	ADD COTTON PAD	Lucas	Davis	⑤	23.06.15	Packaging change	Xxzhaoh	Davis
③	23.05.05	Packaging change	Tang	Davis	⑥	23.08.08	Packaging change	Yutao	Davis



Note:

- 1、 Pearl wool packing size: top cover 632*270*15 ±10mm , bottom cover 632*270*55 ±10mm; Pearl Wool(medial): 350*150*10 ±10mm; Pearl Wool(Connector): 265*125*35 ±10mm.
- 2、 Inner box packing size: 270*130*105 ±10mm ;The inner box contains 4pcs 2M-adapter cable & 4pcs N JACK/RP-SMA PLUG connector & 2pcs Metal Protection Cap/box ;
- 3、 Outer packing size: 780*290*135 ±10mm;The outer box contains one inner boxes & one Antenna assy(pearl wool & paper addendum)
- 4、 Estimated weight: 5.2KG/BOX.

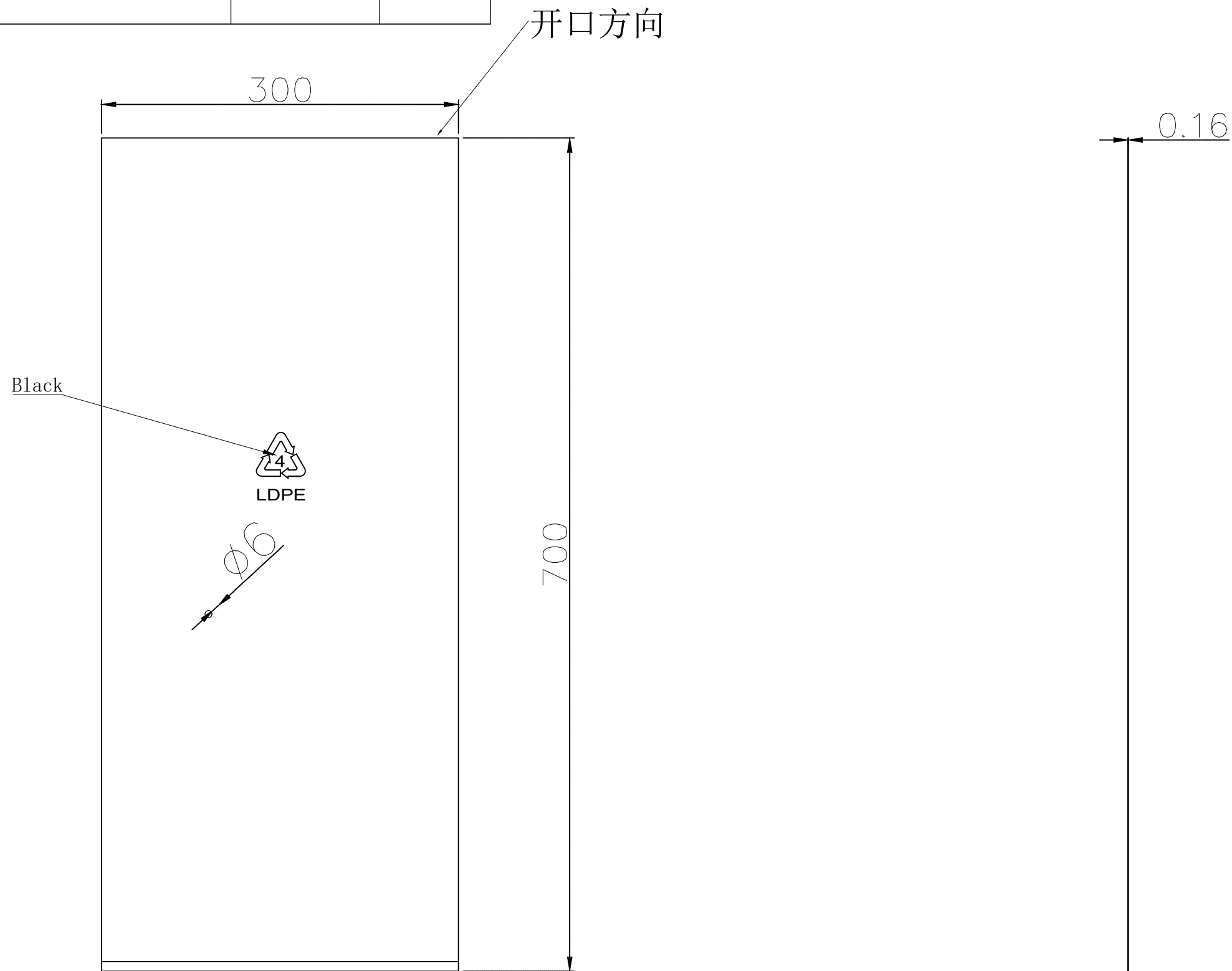
<h1>Angeei</h1>		P/N	EXD24140D01-PACKAGING				
		DRAWN	Lucas	22.08.23	DWG NO.	2634-C20-001	
UNMARKED TOLERANCE(mm)		CHECKED	Wells	22.08.23	SCALE	REV.	PAGE
X. : ±10	X.° : ±3°	APPROVED	Davis	22.08.23	1:1	A6	1/1
X.X : ±5	X.X° : ±1°						
X.XX : ±2	X.XX° : ±0.05°						

ECN NO.	DATE	DESCRIPTION	CHANGER	APPROVER
①				

RoHS
Compliant



leee酷透蹦蹦



Note:

- 1、 Materials meet RoHS standards;
- 2、 Material: LDPE;Weight: 35±5g;
- 3、 Sealing Type: Tape sealing.

<h1>Angeei</h1>		P/N	EXD24140D01-PE袋	PART NO.	/	
		DRAWN	Lucas 22.11.01	DWG NO.	2634-C20-007	
UNMARKED TOLERANCE(mm)		VIEW	CHECKED	Wells 22.11.01	SCALE	REV. PAGE
X. : ±10	X. ° : ±3°		APPROVED	Davis 22.11.01	1:1	A0 1/1
X.X : ±5	X.X° : ±1°					
X.XX : ±2	X.XX° : ±0.05°					

ECN NO.	DATE	DESCRIPTION	CHANGER	APPROVER
⚠				

RoHS
Compliant

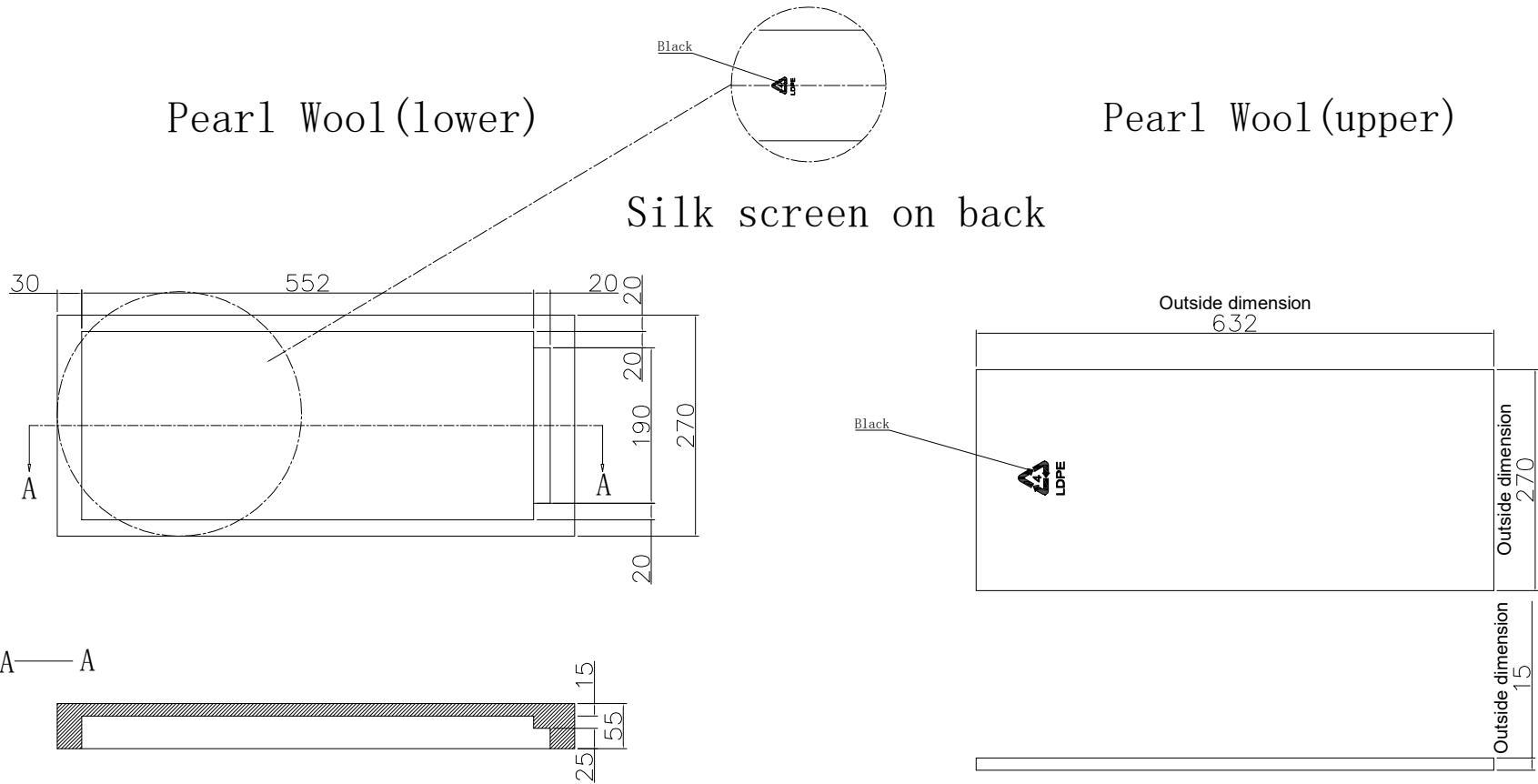


lead-free

Pearl Wool(lower)

Pearl Wool(upper)

Silk screen on back




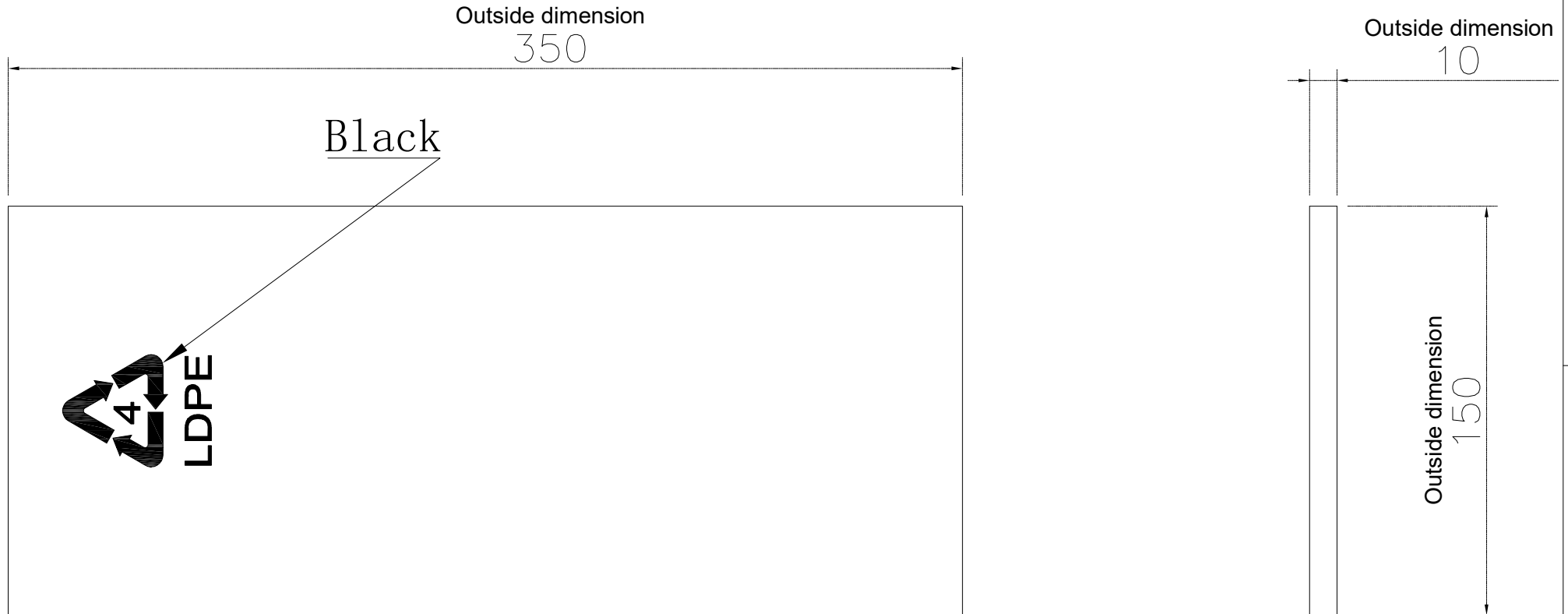
Note:

- 1、 Materials meet RoHS standards.
- 2、 Materials : EPE.
- 3、 Weight: 100±20g

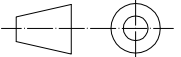
<h1>Angeei</h1>		P/N	EXD24140D01-包棉	PART NO.	/											
		DRAWN	Lucas 22.11.01	DWG NO.	2634-C20-008											
<table border="1"> <thead> <tr> <th colspan="2">UNMARKED TOLERANCE(mm)</th> <th rowspan="2">VIEW</th> </tr> </thead> <tbody> <tr> <td>X. : ±10</td> <td>X.° : ±3°</td> <td rowspan="3"> </td> </tr> <tr> <td>X.X : ±5</td> <td>X.X° : ±1°</td> </tr> <tr> <td>X.XX : ±2</td> <td>X.XX° : ±0.05°</td> </tr> </tbody> </table>		UNMARKED TOLERANCE(mm)		VIEW	X. : ±10	X.° : ±3°		X.X : ±5	X.X° : ±1°	X.XX : ±2	X.XX° : ±0.05°	CHECKED	Wells 22.11.01	SCALE	REV.	PAGE
		UNMARKED TOLERANCE(mm)			VIEW											
X. : ±10	X.° : ±3°															
X.X : ±5	X.X° : ±1°															
X.XX : ±2	X.XX° : ±0.05°															
		APPROVED	Davis 22.11.01	1:1	A0	1/1										

ECN NO.	DATE	DESCRIPTION	CHANGER	APPROVER
⚠				

RoHS Compliant  **lead-free**



- Note:
- 1、Materials meet RoHS standards.
 - 2、Materials : EPE.
 - 3、Weight: 7±5g/pcs

<h1>Angeei</h1>		P/N	EXD24140D01-珍珠棉垫棉	PART NO.	/	
		DRAWN	Lucas 22.11.01	DWG NO.	2634-C20-004	
UNMARKED TOLERANCE(mm)		VIEW 	CHECKED	Wells 22.11.01	SCALE	REV. PAGE
X. : ±10	X. ° : ±3°		APPROVED	Davis 22.11.01	1:1	A0 1/1
X.X : ±5	X.X° : ±1°					
X.XX : ±2	X.XX° : ±0.05°					

ECN NO.	DATE	DESCRIPTION	CHANGER	APPROVER
①				

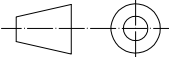
Outside dimension
600±20

Outside dimension
1.5±1

Outside dimension
380±20

Note:

- 1、Materials meet RoHS standards.
- 2、Materials : EPE.

<h1>Angeei</h1>		P/N	EXD24140D01-珍珠棉	PART NO.	/	
		DRAWN	Y. Tao 23.07.13	DWG NO.	2634-C20-011	
UNMARKED TOLERANCE(mm)		VIEW 	CHECKED	Lucas 23.07.13	SCALE	REV. PAGE
X. : ±5	X. ° : ±3°		APPROVED	Davis 23.07.13	1:1	A0 1/1
X.X : ±2	X.X° : ±1°					
X.XX : ±1	X.XX° : ±0.05°					

Innovation

Expert

Smart

Angeei

DATA SHEET

P/N: 049 Metal Protective Cap

NO.28,Jinxing Rd,
Jinfeng Town,Zhangjiagang City,Jiangsu,China
Tel:+86-512-56990960
Fax:+86-512-56990970
Email: Sales@Angeei.com

Contents

1. Product Description	1
2. Overall Performance	1
3. Product Drawing	2
4. ROHS	2

Version Information

Version	Date	Author	Note
A0	December 19, 2022	Rebecca	Initial Draft
A1	December 23, 2022	Wells	Update the product drawing

1. Overall Performance

CHARACTERISTICS	SPEC
Product Dimensions	Φ21*12mm
Operating Temperature	-55~125°
Operational Humidity	<95%

2. Product Drawing

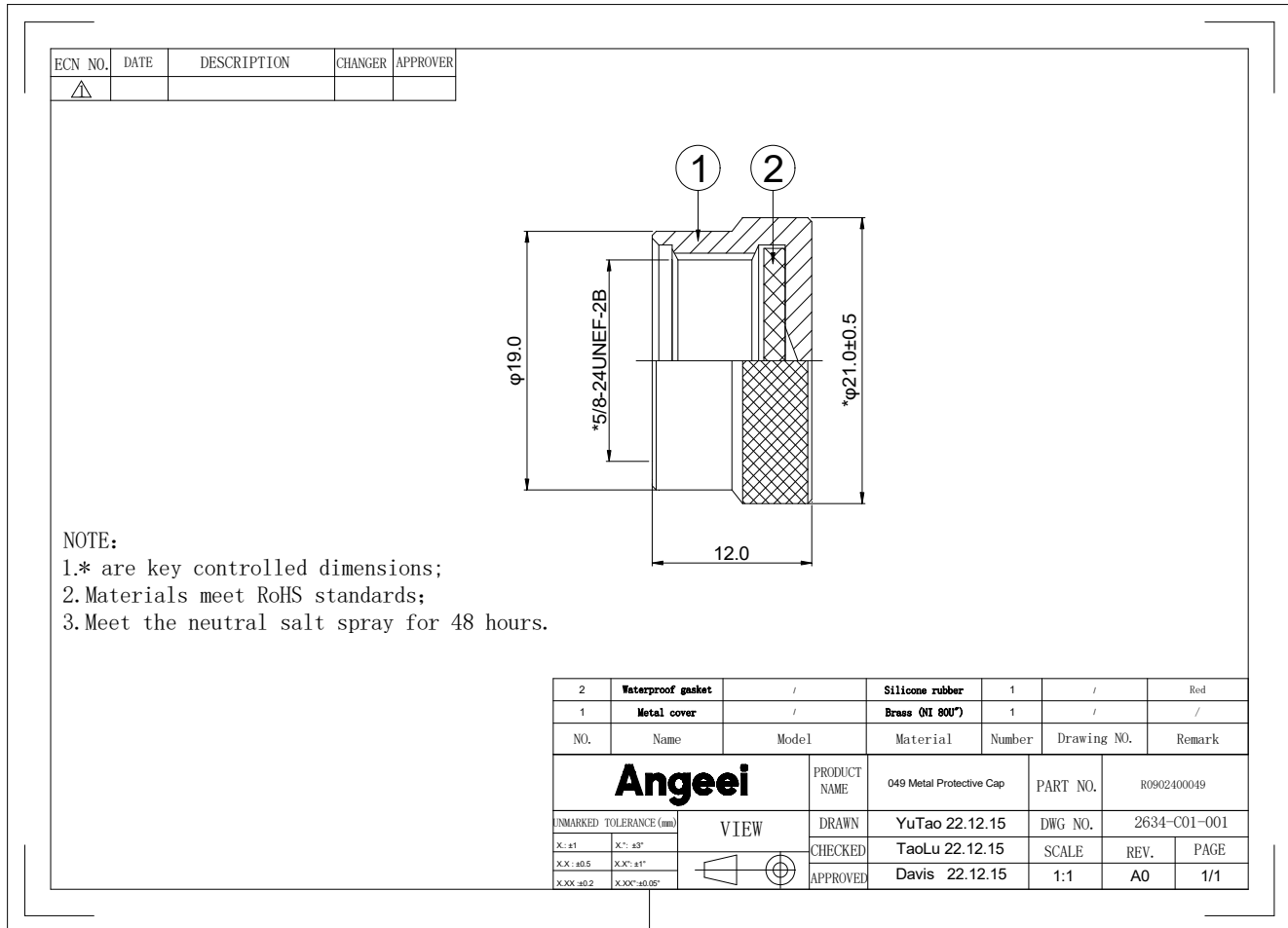


Figure 1: 049 Metal Protective Cap Dimensions

3. ROHS

Model 049 Metal Protective Cap is RoHS compliant.

The logo for Angeei, featuring the word "Angeei" in a bold, teal, sans-serif font. The letter 'i' at the end has a small orange square above it.

Angeei

Innovation

Expert

Smart

DATA SHEET

P/N: CB2000B24ENND

NO.28,Jinxing Rd,
Jinfeng Town,Zhangjiagang City,Jiangsu,China
Tel:+86-512-56990960
Fax:+86-512-56990970
Email: Sales@Angeei.com

Contents

1. Product Description.....	1
2. Overall Performance.....	2
3. Product Drawing.....	3
4. ROHS.....	3
5. Cable Data Sheet.....	4

Version Information

Version	Date	Author	Note
V0	July 26, 2022	Rebecca	Initial Draft
A0	September 2, 2022	Rebecca	Update the drawing
A1	October 7, 2022	Rebecca	Add Storage Temperature & Humidity
A2	November 15, 2022	Rebecca	Update the drawing
A3	February 21, 2023	Rebecca	Update the Cable Data Sheet
A4	March 13, 2023	Rebecca	Update the drawing
A5	March 31, 2023	Rebecca	Update the drawing
A6	April 12, 2023	Rebecca	Add IP66

1. Product Description

Model CB2000B24ENND cable assembly is defined by following features:

- Frequency Range DC to 6GHz
- Quick Integration

2. Overall Performance

CHARACTERISTICS	SPEC
Frequency Range	DC to 6GHz
VSWR	<2
Power Handling	50W
Feed Impedance	50 ohms
Interface	N-PLUG & N-PLUG
Operating Temperature	-40 ° C to +80 ° C
Storage Temperature	-40° C to +75 ° C
Operating relative Humidity	5% to 95% non-condensing
Storage humidity	≤95%
Cable	ALSR240
Weight	205 ± 15g
Protection level	IP66 & IP67

3. Product Drawing

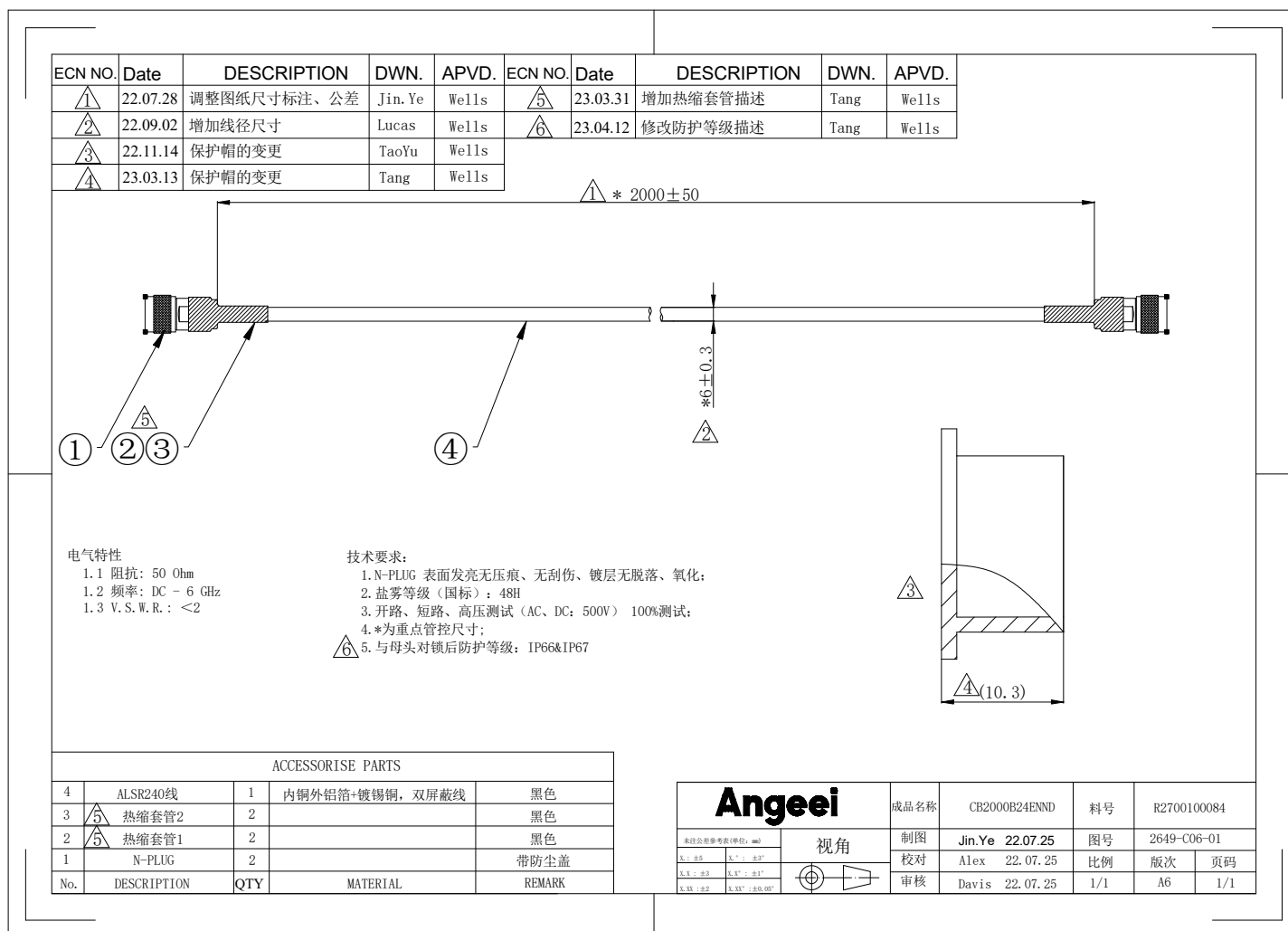


Figure 1: Model CB2000B24ENND Dimensions

4. ROHS

Model CB2000B24ENND is RoHS compliant.

5. Cable Data Sheet

Item	Specification		
Cable type	ALSR240		
Impedance	50 ± 3 ohms		
材料 Material	结构描述 Detail	尺寸 Size mm	颜色 Color
内导体 Inner Conductor	铜 Bare Copper	1/1.42±0.02	铜色 Coppery
绝缘 Dielectric	发泡聚乙烯 Foam PE	3.80±0.10	白色 White
屏蔽 1 st Outer Conductor	自粘铝箔 Laminate Aluminum Tape	3.90±0.10	银色 Silvery
屏蔽 2 nd Outer Conductor	镀锡铜 Tinned-Copper Braid(128*Φ0.12mm)	4.40±0.10	银色 Silvery
护套 Jacket	低烟无卤 LSZH	6.10±0.15	黑色 Black
Cable loss (dB/1meter)	0.9GHz	0.248	
	2GHz	0.377	
	3GHz	0.468	
	4GHz	0.546	
	5GHz	0.616	
	6GHz	0.681	
Operating temperature	-40℃~+80℃		



Angeei

Innovation

Expert

Smart

DATA SHEET

P/N: 305 Connector

NO.28,Jinxing Rd,Jinfeng Town,
Zhangjiagang City,Jiangsu,China
Tel:+86-512-56990960
Fax:+86-512-56990970
Email: Sales@Angeei.com

Contents

1. Product Description	1
2. Features	1
3. Overall Performance	2
4. Product Characteristics	3
4.1 VSWR	3
4.2 Insertion loss	4
5. Product Drawing	5
6. ROHS	5

Version Information

Version	Date	Author	Note
A0	September 7, 2022	Rebecca	Initial Draft
A1	September 9, 2022	Rebecca	Add weight & Update the drawing
A2	October 7, 2022	Rebecca	Add Storage Temperature & Humidity
A3	November 15, 2022	Rebecca	Update the drawing
A4	March 7, 2023	Rebecca	Add the insertion loss
A5	March 13, 2023	Rebecca	Update the drawing
A6	March 24, 2023	Rebecca	Update the drawing

1. Product Description

Model 305 Connector product is designed with patented technology. 305 Connector is a dual band which has features of easy integration, can be directly connected to the product. The connector can be customized according to customer's request. This Connector was designed to accommodate most WLAN applications, such as access points, routers, and gateways.

2. Features

The Model 305 Connector is defined by following features:

- High Efficiency
- Quick Integration

3. Overall Performance

CHARACTERISTICS	SPEC
Frequency Range	DC-6GHz
VSWR	DC-3GHz VSWR<1.3 3GHz-6GHz VSWR<1.5
Feed Impedance	50 ohms
Dimensions	33.95* ϕ 15.8mm
Operating Temperature	-55° C to +125 ° C
Storage Temperature	-55° C to +120 ° C
Operating relative Humidity	5% - 95% non-condensing
Storage Humidity	\leq 95%
Connector	N JACK / RP-SMA PLUG
Weight	28 \pm 5g

4. Product Characteristics

Measuring the VSWR of 305 Connector in a non-interference environment.

4.1 VSWR

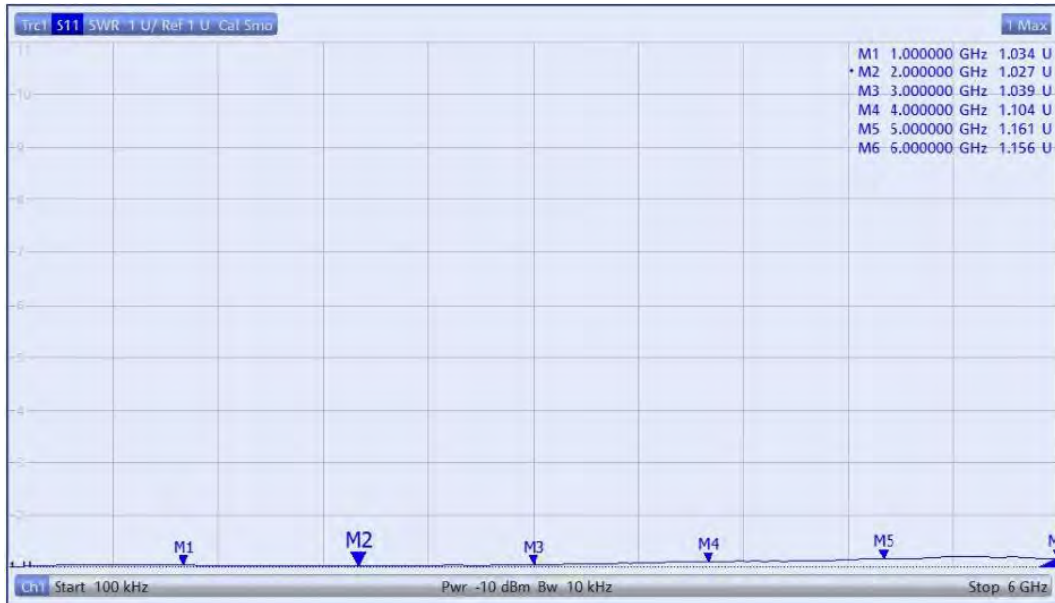


Figure 1: Model 305 Connector VSWR

4.2 Insertion loss

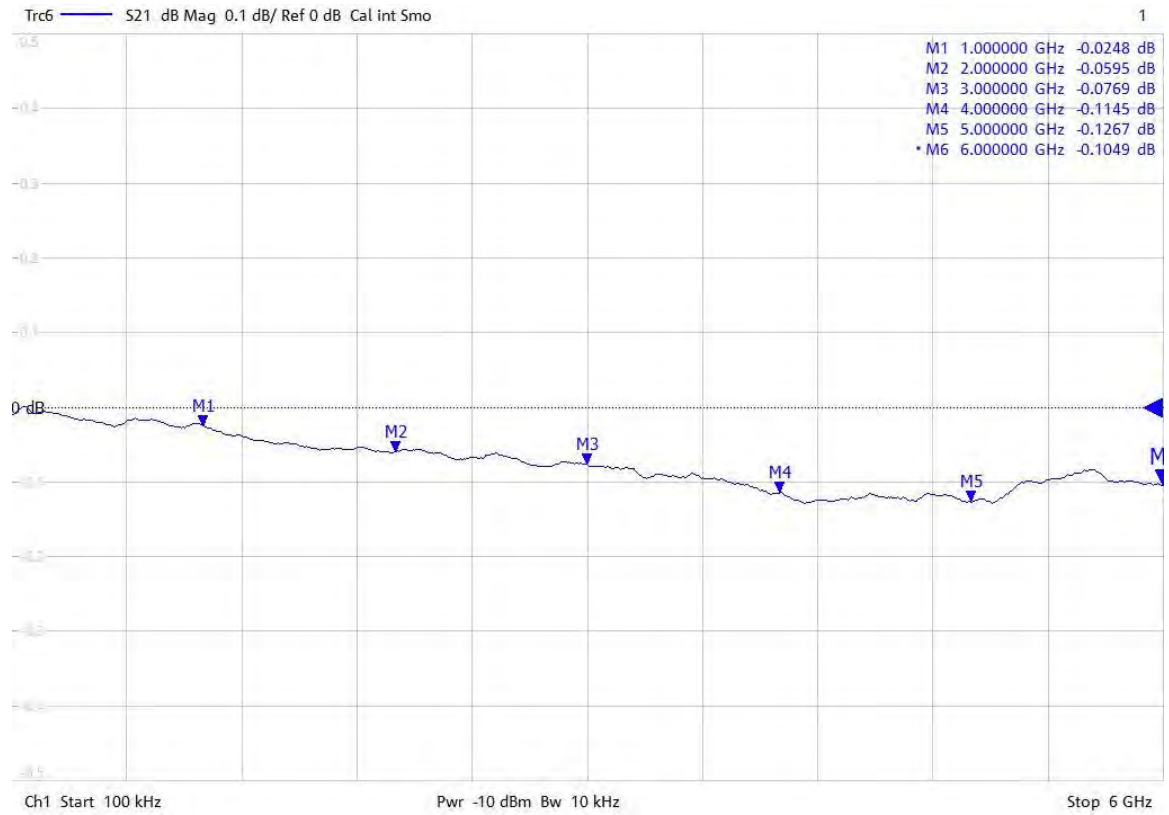


Figure 2: Model 305 Connector Insertion loss

5. Product Drawing

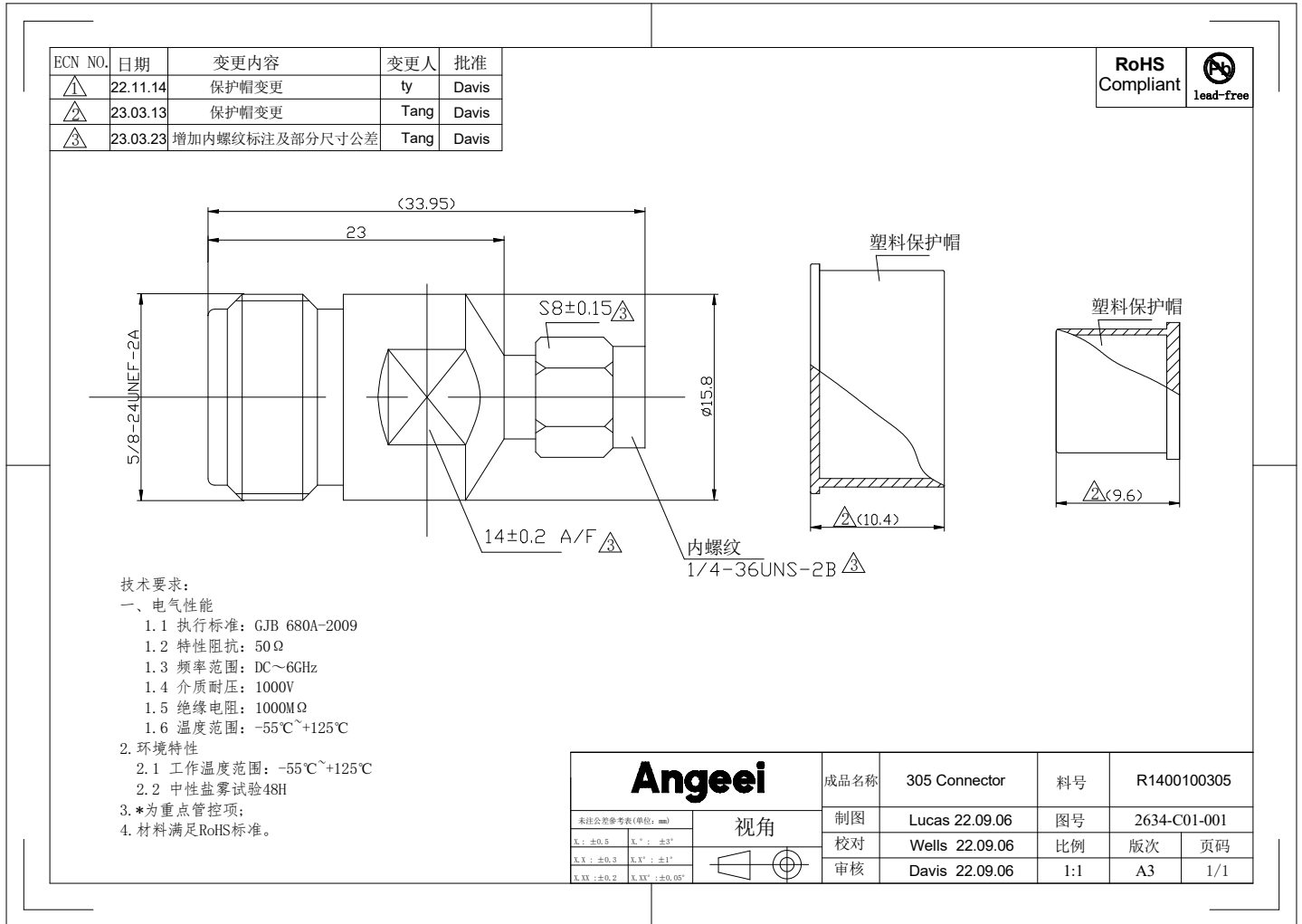


Figure 3: Model 305 Connector Dimensions

6. ROHS

Model 305 Connector is RoHS compliant.

Note:

The content of this technical document is subject to change without notice. Please contact Angeei for further information.

Information in this document is provided in connection with Angeei products. No license, express or implied, to any intellectual property rights is granted by this document. Except as provided in Angeei's Terms and Conditions of Sale for such products, Angeei assumes no liability whatsoever, and Angeei disclaims any express or implied warranty, relating to sale and/or use of Angeei products including liability or warranties relating to fitness for a particular purpose, merchantability, or infringement of any patent, copyright or other intellectual property right. Angeei may make changes to specifications and product descriptions at any time, without notice. For the most current product information, please visit: www.Angeei.com.

Copyright ©Angeei . All rights reserved.

Angeei and the Angeei logo are trademarks of Jiangsu Angeei Electronics co., Ltd.

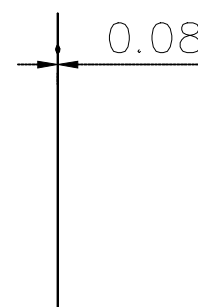
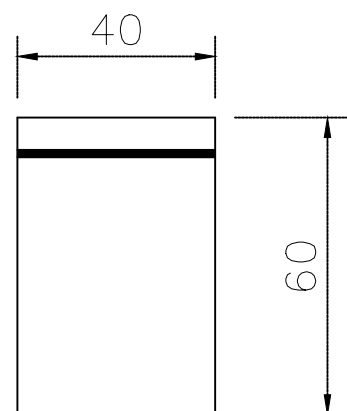
ADD:NO.28,Jinxing Rd,Jinfeng Town,
Zhangjiagang City,Jiangsu,China
Tel: +86-512-56990960 Fax: +86-512-56990970
Email: Sales@Angeei.com

ECN NO.	DATE	DESCRIPTION	CHANGER	APPROVER
①				

RoHS
Compliant



leae酷透蹦蹦



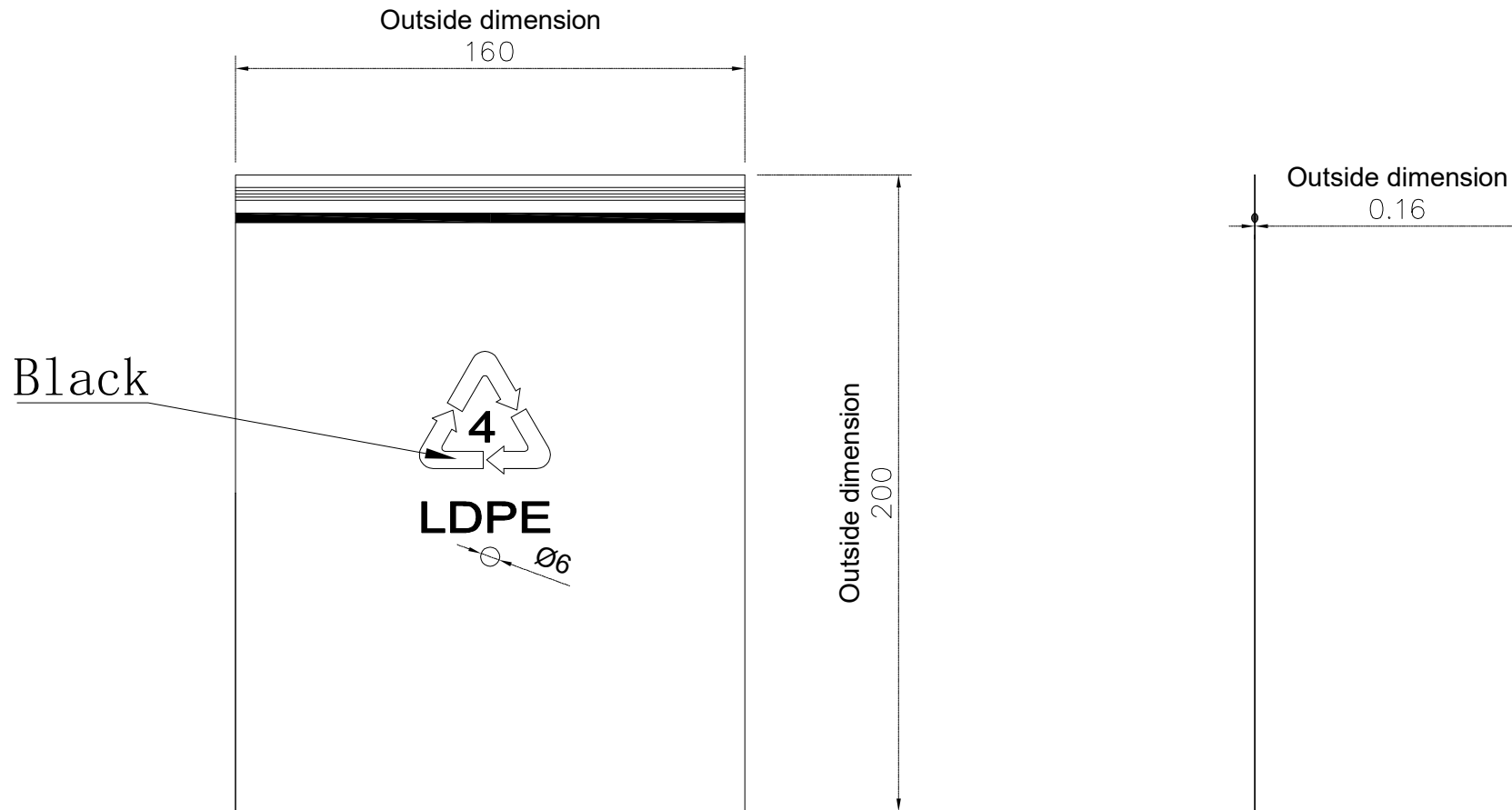
Note:

- 1、 Materials meet RoHS standards;
- 2、 Material: PE;Weight: 0.25±0.1g;
- 3、 Sealing Type: Zipper。

<h1>Angeei</h1>		P/N	EXD24140D01-自封袋A	PART NO.	/		
		DRAWN	Lucas 22.11.01	DWG NO.	2634-C20-002		
UNMARKED TOLERANCE(mm)		VIEW 	CHECKED	Wells 22.11.01	SCALE	REV. PAGE	
X. : ±10	X. ° : ±3°		APPROVED	Davis 22.11.01	1:1	A0	1/1
X.X : ±5	X.X° : ±1°						
X.XX : ±2	X.XX° : ±0.05°						

ECN NO.	DATE	DESCRIPTION	CHANGER	APPROVER
⚠				

RoHS
Compliant



Note:

- 1、 Materials meet RoHS standards;
- 2、 Material: LDPE;Weight: 5.5±3g;
- 3、 Sealing Type: Zipper。

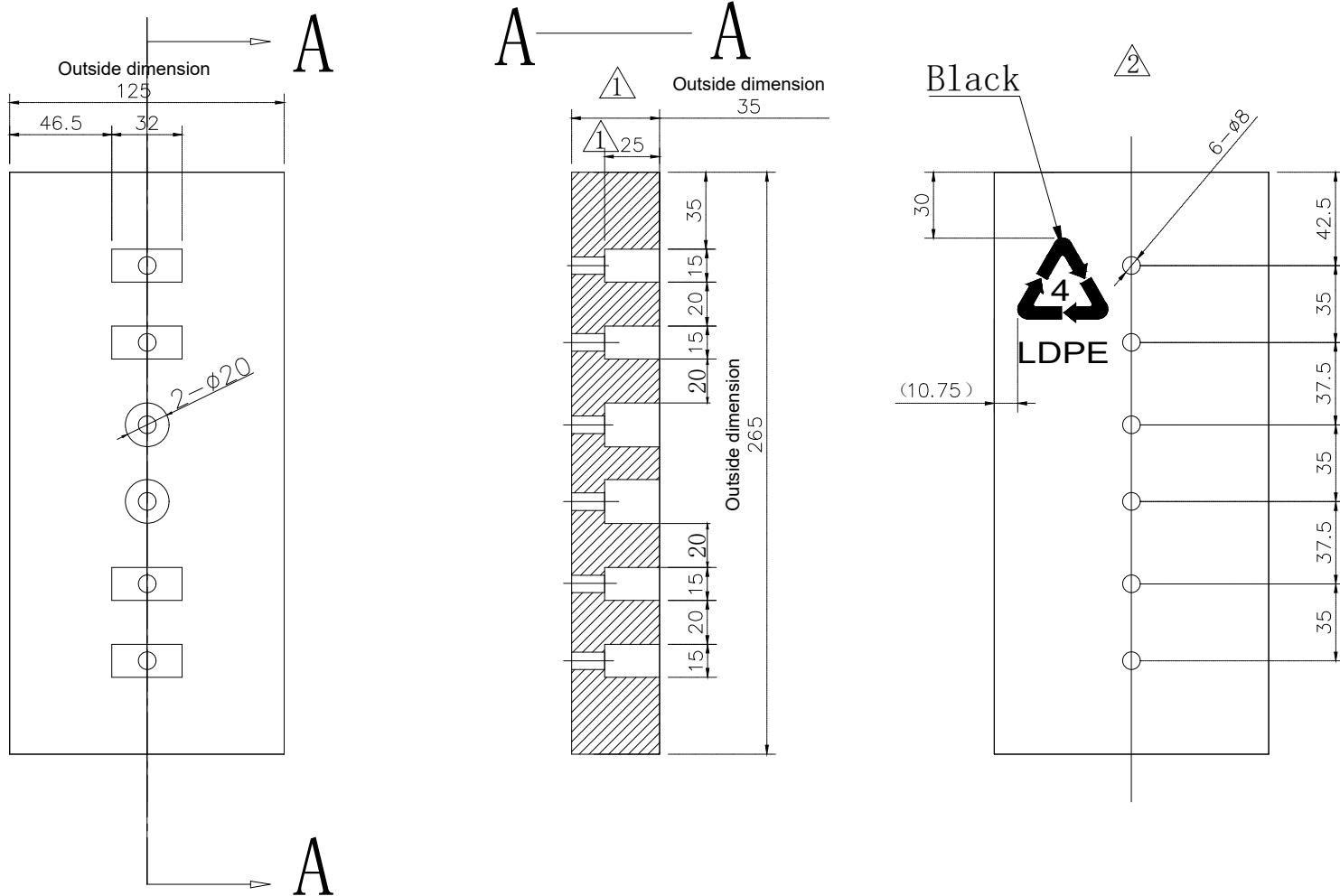
<h1>Angeei</h1>		P/N	EXD24140D01-自封袋B	PART NO.	/		
		DRAWN	Lucas 22.11.01	DWG NO.	2634-C20-003		
UNMARKED TOLERANCE(mm)		VIEW	CHECKED	Wells 22.11.01	SCALE	REV.	PAGE
X. : ±10	X. ° : ±3°		APPROVED	Davis 22.11.01	1:1	A0	1/1
X.X : ±5	X.X° : ±1°						
X.XX : ±2	X.XX° : ±0.05°						

ECN NO.	DATE	DESCRIPTION	CHANGER	APPROVER
①	230412	Design change	Tang	Wells
②	230418	Design change	Tang	Wells
③	230428	Add Weight note	Tang	Wells

RoHS
Compliant



lead-free 無鉛




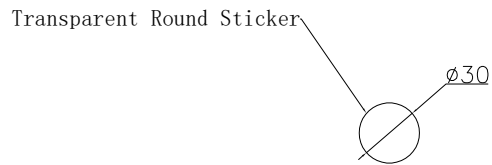
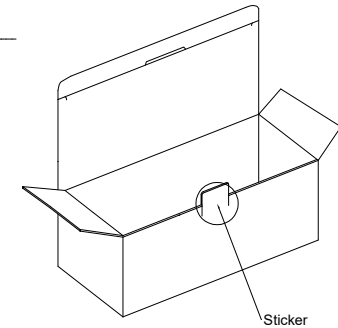
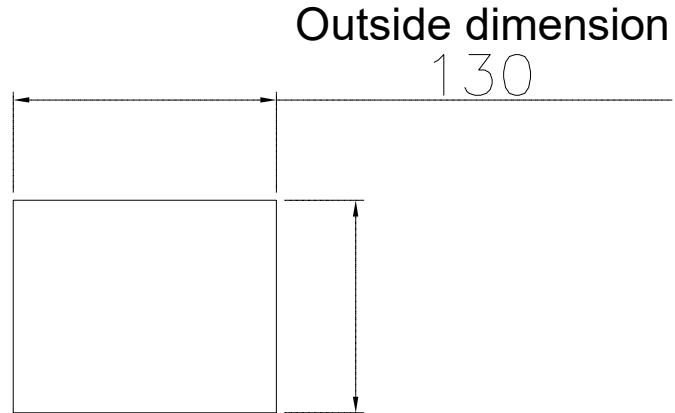
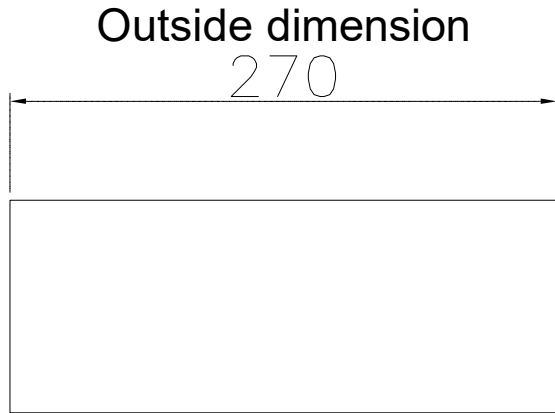
Note:

- 1、Materials meet RoHS standards.
- 2、Materials : EPE.
- ③ 3、Weight:18.4±3g/pes.

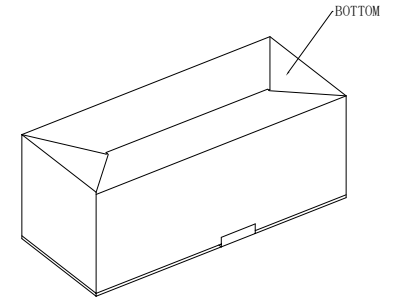
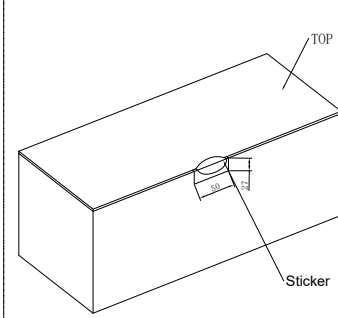
UNMARKED TOLERANCE(mm)		VIEW	P/N	EXD24140D01-COTTON PAD A	PART NO.	/
			X. : ±10	X. ° : ±3°	DRAWN	Lucas 22. 11. 01
X.X : ±5	X.X ° : ±1°		CHECKED	Wells 22. 11. 01	SCALE	REV. PAGE
X.XX : ±2	X.XX ° : ±0.05°		APPROVED	Davis 22. 11. 01	1:1	A3 1/1

ECN NO.	DATE	DESCRIPTION	CHANGER	APPROVER
⚠				

RoHS Compliant  lead-free



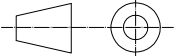
Outside dimension
105



ISO VIEW

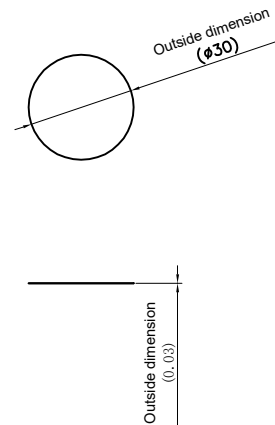
Note:

- Materials meet RoHS standards.
- Materials : B corrugated kraft paper, grade 3A.
- Sealing method: buckle, with transparent round sticker on the top.
- Outside dimension 270*130*105.
- resistance to rupture: 3.5kgf/cm².

<h1>Angeei</h1>		P/N	EXD24140D01-INNERBOX	PART NO.	/		
		DRAWN	Lucas 22.11.01	DWG NO.	2634-C20-006		
UNMARKED TOLERANCE(mm)		VIEW 	CHECKED	Wells 22.11.01	SCALE	REV.	PAGE
X. : ±10	X. ° : ±3°		APPROVED	Davis 22.11.01	1:1	A0	1/1
X.X : ±5	X.X° : ±1°						
X.XX : ±2	X.XX° : ±0.05°						

ECN NO.	DATE	DESCRIPTION	CHANGER	APPROVER
①				

RoHS
Compliant



Note:

- 1、 Materials meet RoHS standards;
- 2、 Material: BOPP(Acrylic glue);
- 3、 Colour: Transparent.

<h1 style="text-align: center;">Angeei</h1>		P/N	EXD24140D01-Round Tape	PART NO.	/	
		DRAWN	Tang 23.02.08	DWG NO.	2634-C20-010	
UNMARKED TOLERANCE(mm)		VIEW 	CHECKED	Lucas 23.02.08	SCALE	REV. PAGE
X. : ±10	X. ° : ±3°		APPROVED	Davis 23.02.08	1:1	A0 1/1
X.X : ±5	X.X° : ±1°					
X.XX : ±2	X.XX° : ±0.05°					

ECN NO.	DATE	DESCRIPTION	CHANGER	APPROVER
①				

RoHS
Compliant



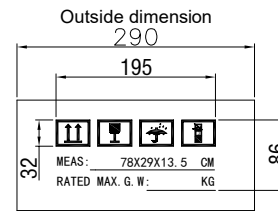
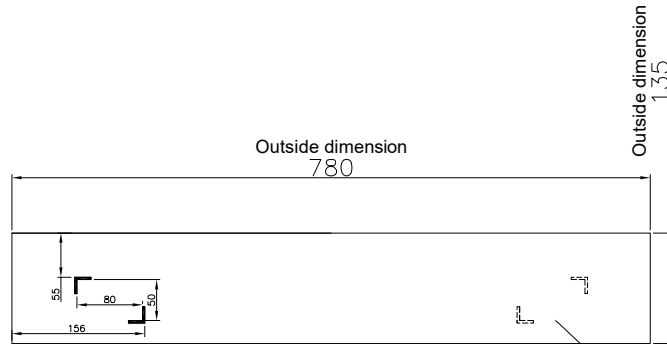
Note:

- 1、 Materials meet RoHS standards;
- 2、 Material: BOPP/PE/PP;
- 3、 Colour: Transparent.

<h1 style="text-align: center;">Angeei</h1>		P/N	EXD24140D01 Packaging Tape	PART NO.	/		
		DRAWN	Tang 23.02.08	DWG NO.	2634-C20-011		
UNMARKED TOLERANCE(mm)		VIEW 	CHECKED	Lucas 23.02.08	SCALE	REV.	PAGE
X. : ±10	X. ° : ±3°		APPROVED	Davis 23.02.08	1:1	A0	1/1
X.X : ±5	X.X° : ±1°						
X.XX : ±2	X.XX° : ±0.05°						

ECN NO.	DATE	DESCRIPTION	CHANGER	APPROVER
⚠				

RoHS
Compliant

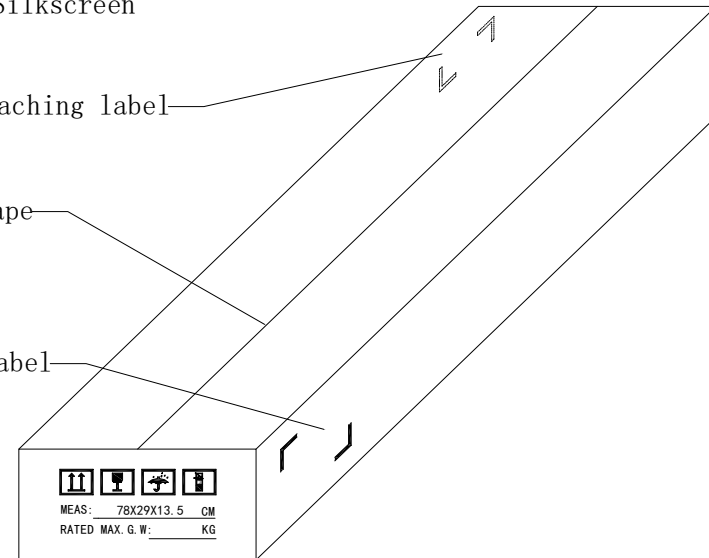


Symmetrical Label Silkscreen

Position for attaching label

Pack with sealing tape

Position for attaching label



Note:

- 1、 Materials meet RoHS standards;
- 2、 Materials : BC corrugated kraft paper, grade 3A; ; Fit with a glued fit;
- 3、 Packed with sealing tape;
- 4、 Outside dimension 780*290*135;
- 5、 resistanee to rupture: 8kgf/cm².

<h1>Angeei</h1>		P/N	EXD24140D01-OUTERBOX	PART NO.	/		
		DRAWN	Lucas 22.11.01	DWG NO.	2634-C20-009		
UNMARKED TOLERANCE(mm)		VIEW	CHECKED	Wells 22.11.01	SCALE	REV.	PAGE
X. : ±10	X.° : ±3°		APPROVED	Davis 22.11.01	1:1	A0	1/1
X.X : ±5	X.X° : ±1°						
X.XX : ±2	X.XX° : ±0.05°						