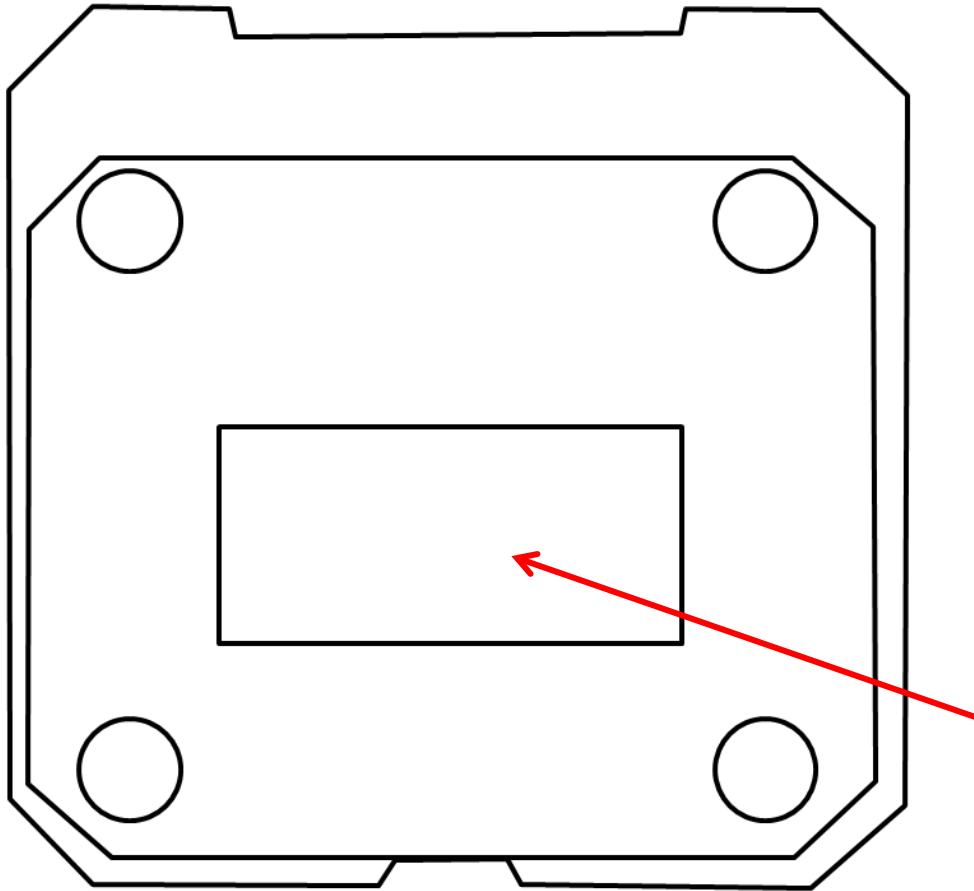


Label and location (back of the device)



Allied Telesis™ alliedtelesis.com
 安奈特 (中国) 网络有限公司

Model (型號) (设备型号) : **AT-TQ7403** 品名 : **802.11ax 無線基地台**

Power (額定電壓\輸入電流) : **12V 4A(Adapter) ; 48V 0.67A(PoE)**

產地 : 中國 (MADE IN CHINA)

FCC FCC ID:RSL-TQ7403

This device complies with Part 15 of the FCC Rules. Operation is subject to the following three conditions: (1) this device may not cause harmful interference. (2) this device must accept any interference received, including interference that may cause undesired operation. (3) this device restrict operation to indoor use only.



Manufacturer: Allied Telesis, Inc.
 3041 Orchard Parkway
 San Jose, CA 95134 USA

Importer: Allied Telesis International BV
 Incheonweg 7, 1437 EK
 Rozenburg Netherlands

UK CA Allied Telesis International BV
 11 Pine Court, Kembrey Park
 Swindon Wiltshire
 SN2 8AD, United Kingdom



IC:3336D-TQ7403
 CAN ICES-003(B)/NMB-003(B)

Operation on oil platforms, cars, trains, boats and aircraft shall be prohibited except for on large aircraft flying above 10,000 ft.



WARNING
 HOT SURFACE
 DO NOT TOUCH



No user serviceable components inside. Do not open. Use only power adapters listed in instruction.

<ご注意> 5GHz帯のW52/W53、6GHz帯は電波法令により屋外での使用が禁止されています。



217-231042
 D230031217



D31490
 RoHS

Wireless LAN
 2.4 DS/OF 4
 Bluetooth Low Energy
 2.4 FH 8