



Innovation

Expert

Smart

DATA SHEET

P/N: EXD24140D01



Contents

1. Product Description	1
2. Features	1
3. Overall Performance	2
4. Product Characteristics	3
4.1 Radiation Pattern	3
5. Product Drawing	4
6. ROHS	4

Version Information

Version	Date	Author	Note
A0	July 15, 2022	Rebecca	Initial Draft
A1	July 30, 2022	Rebecca	Update the SPEC
A2	August 8, 2022	Rebecca	Add product drawing
A3	September 2, 2022	Rebecca	Update the Antenna picture
A4	September 14, 2022	Rebecca	Update the drawing
A5	September 30, 2022	Rebecca	Update the drawing

1. Product Description

Model EXD24140D01 is a WiFi antenna which has features of easy integration, can be directly connected to the product. The connector can be customized according to customer's request.

2. Features

The model EXD24140D01 antenna is defined by following features:

- 2.4GHz: $12.5\pm 0.5\text{dBi}$ / 5GHz: $15\pm 1\text{dBi}$
- High Efficiency
- Quick Integration

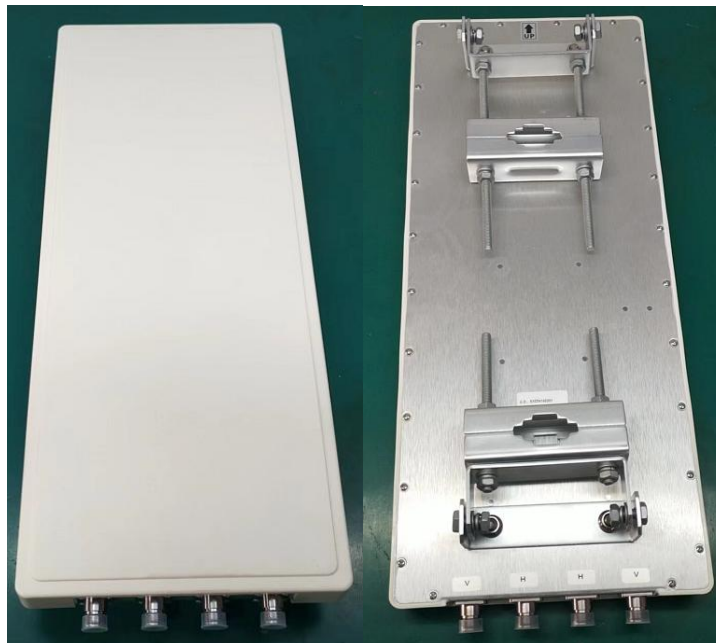


Figure 1: Model EXD24140D01 Antenna

3. Overall Performance

CHARACTERISTICS	SPEC
Frequency Range	2400-2490 / 5150-5850MHz Port 1: 2400-2490MHz & 5150-5850MHz Port 2: 2400-2490MHz & 5150-5850MHz Port 3: 2400-2490MHz & 5150-5850MHz Port 4: 2400-2490MHz & 5150-5850MHz
Peak Gain	2.4GHz: 12.5 ± 0.5 dBi / 5GHz: 15 ± 1 dBi
VSWR	<2
Front-to-back ratio	≥ 25 dB
Isolation	≥ 22 dB
Feed Impedance	50 ohms
Antenna Dimensions	550*230*40mm
Connector	4*N JACK
Operating Temperature	-40~70°
Storage Temperature	-40~65°
Rated Wind Velocity	36.9m/s
Horizontal 3dB Beam Width	2.4GHz: $40 \pm 5^\circ$ / 5GHz: $20 \pm 5^\circ$
Vertical 3dB Beam Width	2.4GHz: $40 \pm 5^\circ$ / 5GHz: $20 \pm 5^\circ$
Maximum input power	50W
Operating relative Humidity	5% - 95%
Storage Humidity	$\leq 95\%$
Polarization	2*H + 2*V
Lightning Protection	DC Grounding
Radome Material	ABS(UL94V-0)
Waterproof level	IP67
Weight	3.3 ± 0.2 kg

4. Product Characteristics

4.1 Radiation Pattern

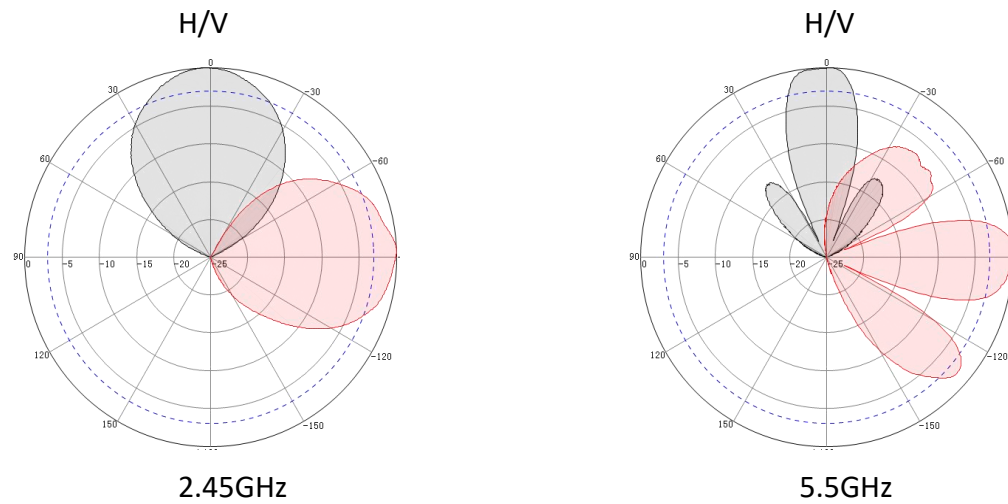


Figure 2: Model EXD24140D01 Radiation Patterns

5. Product Drawing

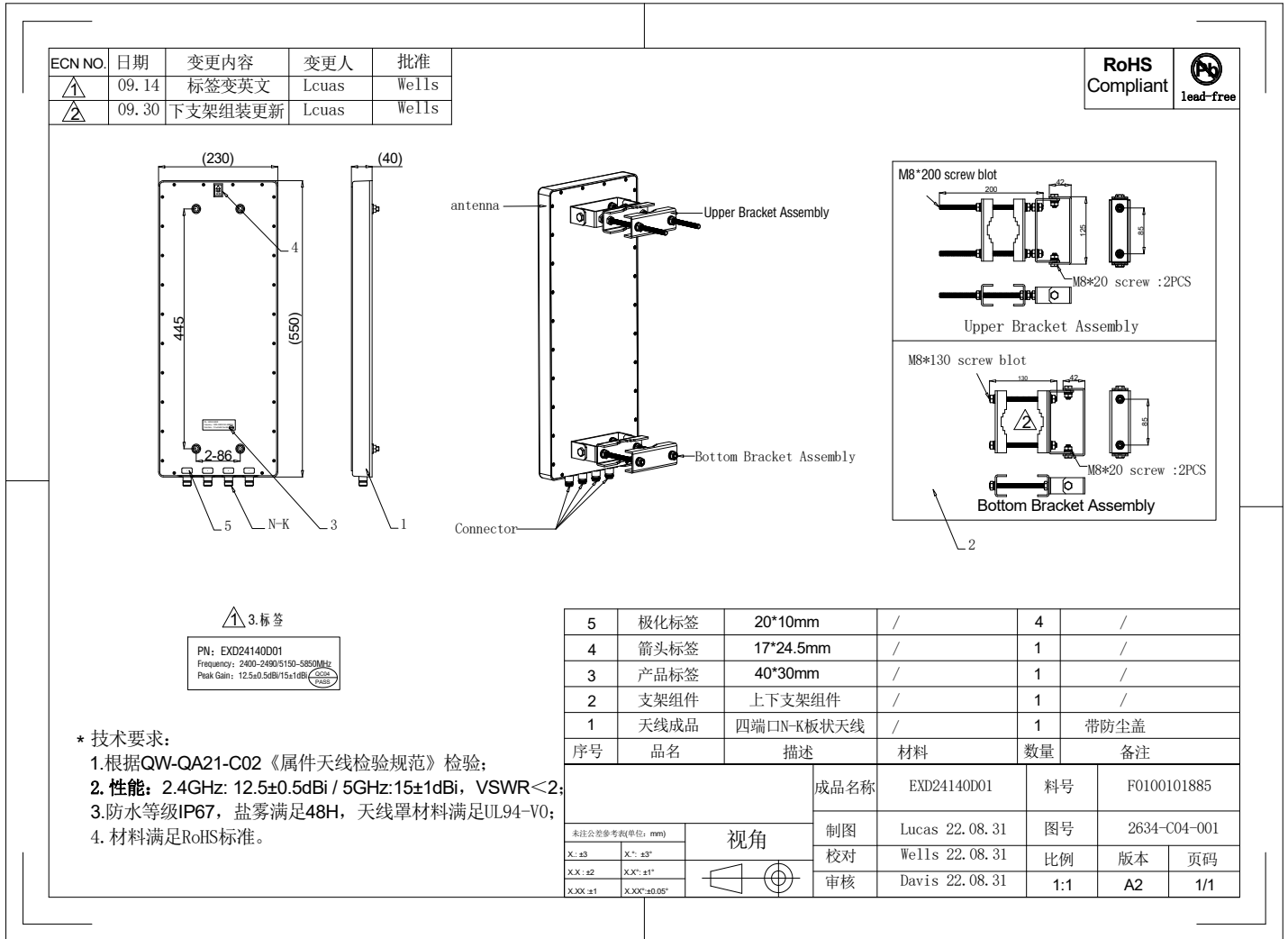


Figure 3: Model EXD24140D01 Dimensions

6. ROHS

Model EXD24140D01 antenna is RoHS compliant.