

TQ6K GEN2

WIRELESS ACCESS POINTS

AT-TQ6702 GEN2

AT-TQm6702 GEN2

802.11ax Dual-radio 5G/2.4GHz 8x8+4x4 Access Points

AT-TQ6602 GEN2

AT-TQm6602 GEN2

802.11ax Dual-radio 5G/2.4GHz 4x4+4x4 Access Points



6007

Installation Guide

Copyright © 2021 Allied Telesis, Inc.

All rights reserved. No part of this publication may be reproduced without prior written permission from Allied Telesis, Inc.

Allied Telesis and the Allied Telesis logo are trademarks of Allied Telesis, Incorporated. All other product names, company names, logos or other designations mentioned herein are trademarks or registered trademarks of their respective owners.

Allied Telesis, Inc. reserves the right to make changes in specifications and other information contained in this document without prior written notice. The information provided herein is subject to change without notice. In no event shall Allied Telesis, Inc. be liable for any incidental, special, indirect, or consequential damages whatsoever, including but not limited to lost profits, arising out of or related to this manual or the information contained herein, even if Allied Telesis, Inc. has been advised of, known, or should have known, the possibility of such damages.

Electrical Safety and Emissions Standards

This product meets the following standards:

- ❑ “Federal Communications Commission Interference Statement”
- ❑ “European Union Restriction of the Use of Certain Hazardous Substances (RoHS) in Electrical and Electronic Equipment” on page 4
- ❑ “Safety and Electromagnetic Emissions” on page 5
- ❑ “Translated Safety Statements” on page 8

Federal Communications Commission Interference Statement

Declaration of Conformity

Manufacturer Name: **Allied Telesis**

Declares that the product: **802.11ax dual-radio 2.4G/5G wireless access points**

Model Number: **AT-TQ6702 GEN2, AT-TQm6702 GEN2, AT-TQ6602 GEN2, and AT-TQm6602 GEN2**

This device complies with Part 15 of the FCC Rules. Operation is subject to the following two conditions: (1) This device may not cause harmful interference, and (2) this device must accept any interference received, including interference that may cause undesired operation.

This equipment has been tested and found to comply with the limits for a Class B digital device, pursuant to Part 15 of the FCC Rules. These limits are designed to provide reasonable protection against harmful interference in a residential installation. This equipment generates, uses and can radiate radio frequency energy and, if not installed and used in accordance with the instructions, may cause harmful interference to radio communications. However, there is no guarantee that interference will not occur in a particular installation. If this equipment does cause harmful interference to radio or television reception, which can be determined by turning the equipment off and on, the user is encouraged to try to correct the interference by one of the following measures:

- Reorient or relocate the receiving antenna.
- Increase the separation between the equipment and receiver.
- Connect the equipment into an outlet on a circuit different from that to which the receiver is connected.
- Consult the dealer or an experienced radio/TV technician for help.



Caution

FCC Caution: Any changes or modifications not expressly approved by the party responsible for compliance could void the user's authority to operate this equipment. ⚡ E80



Avertissement

Avertissement de la FCC: Les changements ou modifications non expressément approuvés par la partie responsable de la conformité pourraient annuler l'autorité de l'utilisateur à utiliser cet équipement. ⚡ E80

This transmitter must not be co-located or operating in conjunction with any other antenna or transmitter.

Radiation Exposure Statement:

This equipment complies with FCC radiation exposure limits set forth for an uncontrolled environment. This equipment should be installed and operated with minimum distance 20 cm between the radiator & your body.

European Union Restriction of the Use of Certain Hazardous Substances (RoHS) in Electrical and Electronic Equipment

This Allied Telesis RoHS-compliant product conforms to the European Union Restriction of the Use of Certain Hazardous Substances (RoHS) in Electrical and Electronic Equipment. Allied Telesis ensures RoHS conformance by requiring supplier Declarations of Conformity, monitoring incoming materials, and maintaining manufacturing process controls.

Note

For additional regulatory statements, refer to Appendix B, "Regulatory Statements" on page 67.

Safety and Electromagnetic Emissions

Standard Compliance

- RoHS compliant
- European Union RoHS (Directive 2011/65/EU of the European Parliament and of the Council of 8 June 2011 on the restriction of the use of certain hazardous substances in electrical and electronic equipment.)

Wire Communication

- IEEE 802.1
- IEEE 802.3
- IEEE 802.3u
- IEEE 802.3z
- IEEE 802.3ab
- IEEE 802.3bz
- IEEE 802.3x
- IEEE 802.3at
- ITU-T G.993.1

Wireless Communication

- IEEE 802.11 DSSS
- IEEE 802.11a OFDM
- IEEE 802.11b DSSS/FHSS
- IEEE 802.11g OFDM
- IEEE 802.11n OFDM
- IEEE 802.11ac OFDM
- IEEE 802.11ax OFDMA

Safety

- CB/UL
 - IEC 62368-1
 - UL 62368-1
 - CSA C22.2 No. 62368-1
 - IEC 60950-1
- TUV
 - EN62368-1 (Co-license)
- UL2043

Electro Magnetic Interference (EMI)

- FCC part15 Subpart B/ Class B
- EN55032 Class B
- VCCI-CISPR 32 / Class B
- AS/NZS CISPR 32

Electro Magnetic Susceptibility - EN55024 and EN55035

- IEC 61000-4-2
- IEC 61000-4-3
- IEC 61000-4-4
- IEC 61000-4-5
- IEC 61000-4-6
- IEC 61000-4-8
- IEC 61000-4-11
- IEC 61000-3-2
- IEC 61000-3-3

FCC

- 47 CFR Part15, subpart C
- 47 CFR Part15, subpart E
- DFS

CE

- RED Directive 2014/53/EU
- EN55032
- EN55024
- EN301489-1 V2.1.1
- EN301489-17 V3.1.1
- EN300328 V2.2.2
- EN301893 V2.1.1
- EN62311/ EN50385
- European Council Directive 2014/30/EU
- DFS
- EN550.5
- EN60601-1-2

RCM

- ❑ AS/NZS CISPR 32
- ❑ AS/NZS 4268

IC

- ❑ ICES-003 Issue 6
- ❑ RSS-102
- ❑ RSS-247 Issue 2

Japan

- ❑ JATE
- ❑ ARIB STD-T66
- ❑ ARIB STD-T71

Hong Kong OFCA**India WPC****Malaysia SIRIM****Singapore IMDA TS SRD**


Figure 1. Singapore IMDA Logo


Taiwan BSMI & NCC

- ❑ CNS 13438
- ❑ CNS 14336-1
- ❑ (LP002)

Thailand NBTC**Vietnam MIC****China SRRC**

Translated Safety Statements

Important: The  indicates that a translation of the safety statement is available in a PDF document titled *Translated Safety Statements* on the Allied Telesis website at www.alliedtelesis.com/library.

Remarque: Les consignes de sécurité portant le symbole  sont traduites dans plusieurs langues dans le document *Translated Safety Statements*, disponible à l'adresse www.alliedtelesis.com/library.

Contents

Preface	15
Safety Symbols Used in this Document	16
Contacting Allied Telesis	17
Chapter 1: Product Description	19
Features	20
TQ6K GEN2 Models	23
Hardware Components	25
Cable Hide	27
Console Port	27
Power Switch	27
Kensington Lock Hole	27
Reset Button	27
LAN1 and LAN2 Ports	28
Static Link Aggregation	28
Cascade Mode	29
Power Over Ethernet Plus (PoE+)	30
Connector Type	30
Speed	30
Duplex Mode	30
Automatic MDIX Detection	30
Cable Requirements	31
Maximum Distance	31
Port Pinouts	31
Guidelines	31
AC Adapter for External Power Supply	32
LEDs	33
Chapter 2: Installing the Wireless Access Point	35
Reviewing Safety Precautions	36
Unpacking the Shipping Box	39
Reviewing Installation Guidelines	40
Installing the Access Point on a Table	42
Overview to Installing the Access Point on a Wall or Ceiling	43
Pre-fitting the Mounting Bracket on the Access Point	44
Installing the Mounting Bracket on a Wall or Ceiling	47
Connecting Ethernet Cables to LAN1 and LAN2 Ports	51
Guidelines	51
Connecting the Ethernet Cables to LAN Ports	51
Connecting the AC Power Adapter	54
Attaching the Access Point to the Mounting Bracket	55
Installing an Anti-theft Device	58
Starting the First Management Session	59
Appendix A: Technical Specifications	61
Physical Specifications	61
Environmental Specifications	61
Power Specifications	62

- Input Power Specifications 62
- External AC Adapter Specifications 62
- PoE+ Power Requirements 63
- Cable Specifications 64
- LAN Ports Specifications and Pinouts 65
 - Port Specifications 65
 - Port Pinouts 65
- Appendix B: Regulatory Statements 67**
 - Federal Communication Commission Interference Statement 68
 - Industry Canada Statement 70
 - Europe - EU Declaration of Conformity 72
 - Operating Frequencies and Maximum Transmission Power Levels 72
 - Radiation Exposure Statement 72
 - Importer 72
 - UK - UKCA Declaration of Conformity 73
 - Operating Frequencies and Maximum Transmission Power Levels 73
 - Radiation Exposure Statement 73
 - Importer 73

Figures

Figure 1: Singapore IMDA Logo	7
Figure 2: TQ6K GEN2 Access Point Top View	25
Figure 3: Access Point Bottom View	25
Figure 4: Front Edge View	26
Figure 5: Back Edge View	26
Figure 6: Left Edge View	26
Figure 7: LAN1 and LAN2 Ports in a Static LAG	28
Figure 8: LAN2 Port in Cascade Mode with an End Node	29
Figure 9: LAN2 Port in Cascade Mode with a Networking Device	29
Figure 10: AT-PWRADP-01 Power Adapter	32
Figure 11: TQ6K GEN2 Access Point Top View	33
Figure 12: Shipping Box Components	39
Figure 13: Approved Installation Orientations on a Ceiling, Wall, or Table	41
Figure 14: Attaching the Bracket Screws to the Wireless Access Point	44
Figure 15: Attaching the Mounting Bracket on the Access Point	45
Figure 16: Adjusting the Screws on the Access Point	45
Figure 17: Removing the Mounting Bracket from the Access Point	46
Figure 18: Marking the Holes for the Key-Hole Slots	47
Figure 19: Installing Two Screws	48
Figure 20: Installing the Mount Bracket On the Screws	49
Figure 21: Pre-Drill Holes on Mounting Bracket	49
Figure 22: Securing the Mount Bracket	50
Figure 23: Connecting an Ethernet Cable to the LAN1 Port	51
Figure 24: Removing the Dust Plug from the LAN2 Port	52
Figure 25: Connecting the Ethernet Cable to the LAN2 Port	52
Figure 26: Connecting an AC Power Adapter to the Access Point	54
Figure 27: Installing the Access Point on the Mounting Bracket	55
Figure 28: Seating the Access Point on the Mounting Bracket	56
Figure 29: Tightening the Mounting Bracket Thumbscrew	56
Figure 30: Fitting the Cables in the Cable Hide	57
Figure 31: Kensington Lock Port Location	58
Figure 32: Login Prompt	59
Figure 33: Pin Layout for RJ45 Connector on LAN Port	65

Tables

Table 1. Product Limitations	22
Table 2. Differences Between the TQ6K GEN2 Access Points	23
Table 3. LED Status Information	33
Table 4. Physical Specifications	61
Table 5. Environmental Specifications	61
Table 6. Input Power Specifications	62
Table 7. External AC/DC Adapter Specifications	62
Table 8. PoE+ Power Requirements on LAN Ports	63
Table 9. LAN Port Specifications	65
Table 10. Pin Signals for 100M/1G/2.5G/5G Base-T Connectors	65

Preface

This guide contains the hardware installation instructions for the TQ6K GEN2 Access Points. The access point models included in this manual are:

- ❑ AT-TQ6702 GEN2
- ❑ AT-TQm6702 GEN2
- ❑ AT-TQ6602 GEN2
- ❑ AT-TQm6602 GEN2

This preface contains the following sections:

- ❑ “Safety Symbols Used in this Document” on page 16
- ❑ “Contacting Allied Telesis” on page 17

Safety Symbols Used in this Document

This document uses the following conventions.

Note

Notes provide additional information.



Caution

Cautions inform you that performing or omitting a specific action may result in equipment damage or loss of data.



Warning

Warnings inform you that performing or omitting a specific action may result in bodily injury.



Warning

Warnings inform you of hot surfaces.

Contacting Allied Telesis

If you need assistance with this product, you may contact Allied Telesis technical support by going to the Services & Support section of the Allied Telesis web site at **www.alliedtelesis.com/support**. You can find links for the following resources on this page:

- ❑ Helpdesk (Support Portal) - Log onto Allied Telesis interactive support center to search for answers to your questions in our knowledge database, check support tickets, learn about Return Merchandise Authorizations (RMAs), and contact Allied Telesis technical experts.
- ❑ Software Downloads - Download the latest software releases for your product.
- ❑ Licensing - Register and obtain your License key to activate your product.
- ❑ Product Documents - View the most recent installation guides, user guides, software release notes, white papers and data sheets for your product.
- ❑ Warranty - View a list of products to see if Allied Telesis warranty applies to the product you purchased and register your warranty.
- ❑ Allied Telesis Helpdesk - Contact a support representative.

For sales or corporate contact information, go to **www.alliedtelesis.com/contact** and select your region.

Chapter 1

Product Description

The sections in this chapter describe the hardware components of the TQ6K GEN2 Wireless Access Points:

- ❑ “Features” on page 20
- ❑ “TQ6K GEN2 Models” on page 23
- ❑ “Hardware Components” on page 25
- ❑ “LAN1 and LAN2 Ports” on page 28
- ❑ “AC Adapter for External Power Supply” on page 32
- ❑ “LEDs” on page 33

Features

Hardware features include:

- One 2.4GHz radio
- One 5GHz radio
- Internal omni-directional antennas
- Two 100/1000Mbps/2.5G/5G Ethernet ports with RJ-45 connectors
- PoE+ Class 4 powered device
- One Reset button for restoring the default settings
- One AC power adapter connector
- LEDs for 2.4GHz and 5GHz radios, LAN1 and LAN2 ports, and power
- Kensington lock port
- Ceiling, wall, or table installation
- Installing on the Cisco or Fortinet mounting brackets using AT-BRKT-CONV-AP1 converter bracket
- One Console RS232 RJ-45 port for factory use only

Features of the 2.4GHz and 5GHz radios include:

- IEEE802.11a/b/g/n/ac/ax
- Automatic channel selection
- Band steering
- Wi-Fi multimedia (WMM) for prioritizing traffic

Features of Power and Power over Ethernet (PoE):

- PoE+ (IEEE 802.3at)
- Maximum power consumption: less than 25.5W
- Power saving mode: support IEEE802.3af when either 2.5G or 5G is disabled.
- Redundant power by AC adapter and PoE+ ports

Software features include:

- Zero Wait DFS
- Flow control (IEEE 802.3x)
- VLAN tagging (IEEE 802.1Q)
- Link aggregation

- Cascade configuration
- On-board web browser management interface
- Virtual access point (VAP)
- Network Time Protocol (NTP) client
- Dynamic Host Control Protocol (DHCP) client
- Static WEP, WPA Personal, and WPA Enterprise security
- Static WEP encryption: 64/128 bit (IEEE802.11a/b/g)
- WPA and WPA2 encryption: CCMP (AES) and TKIP
- WPA3 encryption CCMP (AES/CNSA)
- Quality of Service (QoS) ingress and egress queues
- Fast roaming (IEEE802.11v/k/r)
- Captive portals
- MAC address client filtering with the on-board filter
- MAC address client filtering with RADIUS servers
- Wireless Distribution System (WDS) bridges
- Quick Response codes for VAPs
- System log
- Syslog client
- SNMPv1, v2c, and v3
- Orthogonal Frequency Division Multiple Access (OFDMA)
- Link Aggregation

Software features with Vista Manager EX and the Autonomous Wave Controller (AWC) plug-in include:

- AWC-Channel Blanket (AWC-CB) on AT-TQ6602 GEN2 and AT-TQ6702 GEN2
- AWC-Smart Connect (AWC-SC) on AT-TQ6602 GEN2 and AT-TQ6702 GEN2
- Terminator AP support on AT-TQm6602 GEN2 and AT-TQm6702 GEN2
- AWC Lite
- Combination use with Cell, AWC-SC, and AMF-SEC
- Autonomous Management Framework (AMF) Guest node

Table 1 indicates limitations:

Table 1. Product Limitations

Feature	Item	Maximum Number
VAP	Virtual wireless interfaces per RF interface	16
	ESSID	32
	VLAN ID	4,094
WDS	WDS links	4
	WDS HOPs	2
AWC	Access points managed by AWC	3,000
Client Authentication	MAC address list	4,096

TQ6K GEN2 Models

The Table 2 lists the basic differences among four models..

Table 2. Differences Between the TQ6K GEN2 Access Points

Model		AT-TQ6602 GEN2	AT-TQ6702 GEN2	AT-TQm6602 GEN2	AT-TQm6702 GEN2
Maximum number of access points managed by AWC		More than 100		Less than 100	
Maximum number of wireless client		200 clients per radio in standalone mode 500 clients per Channel Blanket		127 clients per radio in standalone mode	
MIMO		2.4GHz: 4x4 5GHz: 4x4	2.4GHz: 4x4 5GHz: 8x8	2.4GHz: 4x4 5GHz: 4x4	2.4GHz: 4x4 5GHz: 8x8
AWC-CB	Access points per Channel Blanket VAP	2,000		AWC-CB is not supported	
	Blankets per access point	32 16 blankets per radio			
	Communicating clients at one time per Channel Blanket	2,000			
	Client sessions at one time per Channel Blanket	10,000			
AWC-SC	Links per access point	4		Supported terminator access points only	
	Hops per access point	8			
	Access points per mesh group	21,844			
Link rate (2.4GHz)		1,147Mbps (4x4)			
Link rate (5GHz)		2,402Mbps (4x4)	4,804Mbps (8x8)	2,402Mbps (4/4)	4,804Mbps (8x8)

Note

The Channel Blankets feature, also referred to as single-channel mode, allows neighboring wireless access points to use the same channels to more efficiently handle roaming wireless clients. The feature requires Vista Manager EX and the Autonomous Wireless Controller (AWC) plug-in.

Hardware Components

The top view of the TQ6K GEN2 Access Point is illustrated in Figure 1.



Figure 1. TQ6K GEN2 Access Point Top View

The bottom view is illustrated in Figure 2.

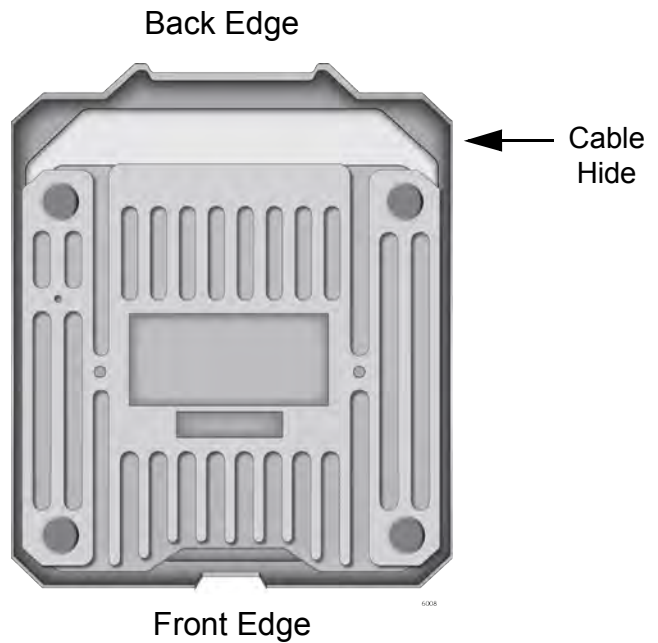


Figure 2. Access Point Bottom View

The front edge view is illustrated in Figure 3.

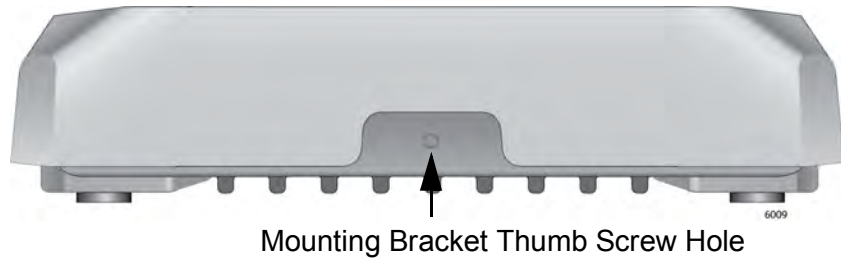


Figure 3. Front Edge View

The back edge view is illustrated in Figure 4.

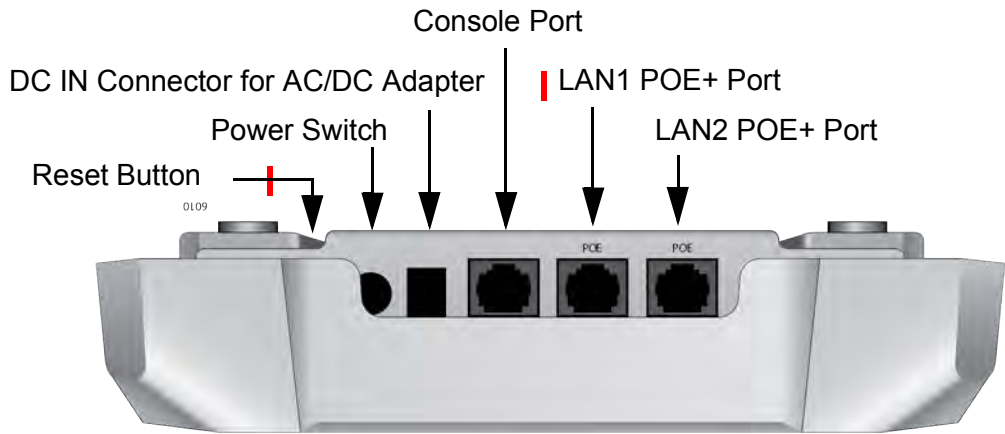


Figure 4. Back Edge View

The left edge view is illustrated in Figure 5.



Figure 5. Left Edge View

- Cable Hide** The top cover of the access point is larger than the access point chassis to create space on the back for cable connectors and cables shown in Figure 2 on page 25.
- Console Port** The Console Serial port on the back panel is for manufacturing purposes only.
- Power Switch** The Power Switch on the back panel in Figure 4 on page 26 turns On or OFF the access point when power is supplied to the access point only from the AC adapter, not from PoE LAN ports.
- When power is supplied to the access point from the PoE LAN ports, the state of the Power Switch does not affect the access point.
- Kensington Lock Hole** The left panel has a hole for the Kensington lock to be connected to an anti-theft cable/lock to physically secure the access point as shown in Figure 5 on page 26.
- Reset Button** The access point has a Reset button on the back edge in Figure 4 on page 26 for returning the parameter settings of the device to their default values. You might reset the access point if you want to discard its current configuration or if you forgot the manager password and so cannot manage the device.
- To reset the device, press the button for five seconds and release.
- You can enable or disable the reset button with the management software. The default setting for the button is enabled. If the access point is installed in a public area, you probably should disable it to protect the device from being reset by unauthorized individuals.

LAN1 and LAN2 Ports

The wireless access point has two Ethernet ports, labeled LAN1 and LAN2. You use the ports to connect the wireless access point to your wired network. Here are their basic properties:

- ❑ LAN1 and LAN2 ports support PoE+.
- ❑ The default setting for LAN1 port is enabled. You cannot disable it.
- ❑ The default setting for LAN2 port is disabled.
- ❑ LAN1 and LAN2 ports can be combined into a static Link Aggregation (LAG) to double the bandwidth between the wireless access point and the wired network.
- ❑ LAN2 can be configured as a separate Ethernet port for another network device. This is referred to as the Cascade mode.

Static Link Aggregation

You can double the bandwidth between the wireless access point and your wired network by combining LAN1 and LAN2 ports into a static LAG. A static LAG functions as a single logical link between the wireless access point and another network device, such as an Ethernet switch or router. A static LAG also provides link redundancy. If one link goes down, the wireless access point maintains connectivity to the wired network over the remaining link. Refer to Figure 6.

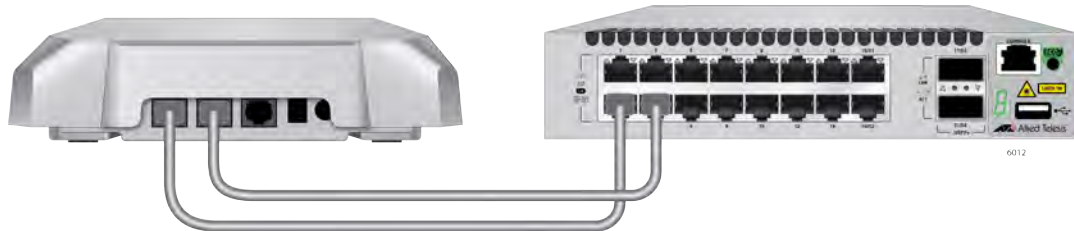


Figure 6. LAN1 and LAN2 Ports in a Static LAG

Here are guidelines to using LAN1 and LAN2 ports as a static LAG:

- ❑ You have to connect the ports to the same network device, such as an Ethernet switch or router, or virtual stacking devices. Do not connect the LAN ports to different network devices.
- ❑ The network device has to support static LAGs.
- ❑ You have to configure the two ports on the network device as a static LAG.
- ❑ You activate the static LAG for LAN1 and LAN2 ports with the on-board web browser management interface.

Note

Do not enable and cable the LAN2 port until after you have configured the other network device for the static LAG.

Cascade Mode The LAN2 port also has a Cascade mode. The mode allows you to use the port to connect another device to your network. The device can be an end node such as a printer or computer, as shown in Figure 7.

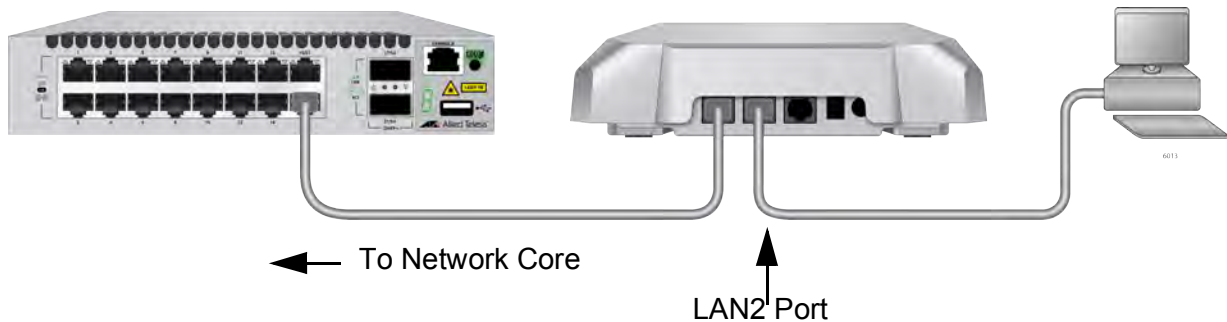


Figure 7. LAN2 Port in Cascade Mode with an End Node

It can also be a networking device such as a switch, router, or media converter. Refer to Figure 8.

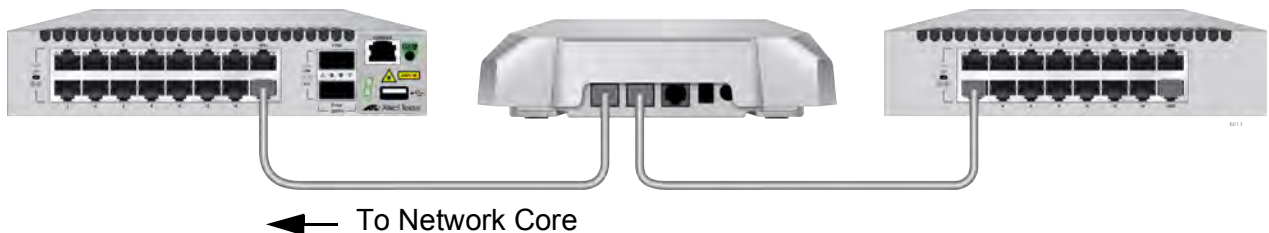


Figure 8. LAN2 Port in Cascade Mode with a Networking Device

Here are the Cascade mode guidelines:

- The Cascade mode requires firmware version 6.0.1-2.1 or later.
- You set the Cascade mode with the on-board web browser management interface.
- The Cascade mode is not supported with Vista Manager EX and the AWC plug-in.
- Do not connect both LAN1 and LAN2 ports to the same network device when the LAN2 port is in the Cascade mode.

Power Over Ethernet Plus (PoE+)

You can power the wireless access point with either PoE+ on the LAN1 port, LAN2 port or an AC/DC power adapter. The wireless access point is a PoE+ Class 4 powered devices, with maximum power consumption of 25.5 watts. To power the device with PoE+, you have to connect LAN1 or LAN2 port to a PoE+ source device. The network cable connecting the LAN1 or LAN2 port to the PoE+ source device carries both network traffic and PoE+.

You can power the device with both PoE+ and an AC/DC power adapter. However, the two power sources are not load sharing. The power adapter is the primary power source and PoE+ is redundant power.

Connector Type

The LAN ports have an eight-pin RJ45 connector. The port uses four pins of the connector at 100 Mbps and all eight pins at 1G/2.5G/5Gbps. Refer to the tables in “Port Pinouts” on page 65 for the pin assignments.

Speed

The LAN ports have speeds of 100Mbps/1G/2.5G/5Gbps. The speeds are set automatically with Auto-Negotiation. You cannot disable Auto-Negotiation on the ports.

Note

The LAN ports should be connected to network devices that also adjust port speeds with Auto-Negotiation. If a network device does not support Auto-Negotiation, the LAN ports operate at 100 Mbps, which may reduce network performance.

Duplex Mode

Both LAN ports can operate in either half- or full-duplex mode at 100Mbps, and full-duplex mode at 1G/2.5G/5Gbps. The ports are IEEE802.3u compliant and use Auto-Negotiation to set the duplex mode. You cannot disable Auto-Negotiation on the port.

Note

The network device to which you connect the LAN ports should also set the duplex mode with Auto-Negotiation. If a network device does not support Auto-Negotiation, the LAN port operates at half-duplex mode. This may result in a duplex mode mismatch if the network device is operating at full duplex.

Automatic MDIX Detection

When operating at 100Mbps, the twisted-pair ports feature automatic MDIX detection. (Automatic MDIX detection does not apply to 1G/2.5G/5Gbps.) This feature automatically configures the ports to MDI or MDI-X depending on the wiring configuration of the port on the Ethernet switch.

You cannot disable automatic MDIX detection. For automatic MDIX detection to work properly, this feature must also be present on the Ethernet switch. The LAN port defaults to MDIX if it is connected to a network device that does not support automatic MDIX detection.

Cable Requirements

The minimum cable requirements for the ports are listed here.

- ❑ 10Mbps or 100 Mbps port: Standard TIA/EIA 568-B-compliant Category 3 shielded or unshielded cabling.
- ❑ 1/2.5/5Gbps port: Standard TIA/EIA 568-A-compliant Category 5 or TIA/EIA 568-B-compliant Enhanced Category 5 (Cat 5e) unshielded cabling.

Maximum Distance

The LAN ports have a maximum operating distance of 100 meters (328 feet).

Port Pinouts

See Table 10 on page 65 for port pinouts information.

Guidelines

Here are the guidelines to using the LAN1 and LAN2 ports:

- ❑ If you are connecting only one LAN port to your network, you have to use port LAN1.
- ❑ The default setting for the LAN1 port is enabled. You cannot disable it.
- ❑ The default setting for LAN2 is disabled. To activate it, use the on-board web browser management interface.
- ❑ To use the LAN1 and LAN2 ports as a static LAG, you have to connect them to the same network device, such as an Ethernet switch or router, or virtual stacking devices. Do not connect the LAN ports to different network devices. The network device has to support static LAGs.



Caution

When using LAN1 and LAN2 ports as a static LAG, do not activate the LAN2 port until you have configured the ports on the network device to which the LAN ports are connected as a static LAG. Refer to the documentation for the network device for instructions.

- ❑ To activate the Cascade mode for LAN2, use the on-board web browser management interface.

AC Adapter for External Power Supply

The access point can be powered in two ways:

- ❑ PoE+ Sourcing Equipment (PSE) on LAN1 and/or LAN2 ports
- ❑ AC power adapter

You can also power it with both methods for power redundancy. The power sources are not load-sharing. A wireless access point that has both power sources uses the AC power adapter as its primary power source and PoE+ as redundant power.

For technical specifications, refer to “Power Specifications” on page 62. The AT-PWRADP-01 Power Adapter, shown in Figure 9, from Allied Telesis is approved for this product.



Figure 9. AT-PWRADP-01 Power Adapter

LEDs

The LEDs on the top panel display status information. See Figure 10 for LEDs and Table 3 for the status definition.



Figure 10. TQ6K GEN2 Access Point Top View

Table 3. LED Status Information

LED	State	Description
PWR/ SYS	Green	The access point is powered ON and operating normally.
	Blinking Green	The access point is booting up.
	Red	The access point has encountered a fault condition.
	Blinking Red	The access point is upgrading its firmware.
	Off	The access point is <i>not</i> receiving power.
LAN1	Green	The port has established a link to a network device.
	Blinking Green	The port is transmitting or receiving data.
	Off	The port has not established a link to a network device.
LAN2	Green	The port has established a link to a network device.
	Blinking Green	The port is transmitting and receiving data.
	Off	The port has not established a link to a network device.
2.4GHz	Green	The 2.4GHz radio is enabled.
	Off	The 2.4GHz radio is disabled.
5 GHz	Green	The 5GHz radio is enabled.
	Off	The 5GHz radio is disabled.

Chapter 2

Installing the Wireless Access Point

This chapter contains the installation procedures for the TQ6K GEN2 Access Points. The procedures are detailed in the following sections:

- ❑ “Reviewing Safety Precautions” on page 36
- ❑ “Unpacking the Shipping Box” on page 39
- ❑ “Reviewing Installation Guidelines” on page 40
- ❑ “Installing the Access Point on a Table” on page 42
- ❑ “Overview to Installing the Access Point on a Wall or Ceiling” on page 43
- ❑ “Pre-fitting the Mounting Bracket on the Access Point” on page 44
- ❑ “Installing the Mounting Bracket on a Wall or Ceiling” on page 47
- ❑ “Connecting Ethernet Cables to LAN1 and LAN2 Ports” on page 51
- ❑ “Connecting the AC Power Adapter” on page 54
- ❑ “Attaching the Access Point to the Mounting Bracket” on page 55
- ❑ “Installing an Anti-theft Device” on page 58
- ❑ “Starting the First Management Session” on page 59


Note

The non-US models of this product have a country code setting that must be set during the initial management session of the units. The setting ensures that the units operate in compliance with the laws and regulations of your country or region.

For the US model, the country code is preset and cannot be changed. Per FCC regulations, the country code setting for all WiFi products marketed in the US must be fixed to US operational channels only.

Reviewing Safety Precautions

Please review the following safety precautions before installing the access point.

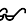
Important: Safety statements that have the  symbol are translated into multiple languages in the *Translated Safety Statements* document, which is available at www.alliedtelesis.com/library.

**Warning**

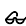
To prevent electric shock, do not remove the cover. No user-serviceable parts inside. This unit contains hazardous voltages and should only be opened by a trained and qualified technician. To avoid the possibility of electric shock, disconnect electric power to the product before connecting or disconnecting the LAN cables.

 **E1**


**Warning**

Do not work on equipment or cables during periods of lightning activity.  **E2**


**Warning**

All Countries: Install product in accordance with local and National Electrical Codes.  **E8**

**Warning**


Only trained and qualified personnel are allowed to install or to replace this equipment.  **E14**

**Warning**

To reduce the risk of electric shock, the PoE ports on this product must not connect to cabling that is routed outside the building where this device is located.  **E40**

**Warning**

This equipment shall be installed in a Restricted Access location.

 **E45**

**Warning**

FCC Caution: Any changes or modifications not expressly approved by the party responsible for compliance could void the user's authority to operate this equipment. ⚡ E80

Note

The access point must be powered by:

1. A UL listed external AC/DC power supply suitable for use at Tma 45 °C, a maximum operating altitude of 3000 m or higher, and whose output meets separated extra-low voltage (SELV), limited power sources (LPSs) and is rated 12 VDC, 2.0 A,

OR

2. By Power over Ethernet through a UL listed ITE. Refer to Table 7, "External AC/DC Adapter Specifications" on page 62.

**Caution**

Air vents must not be blocked and must have free access to the room ambient air for cooling. ⚡ E6

**Warning**

An operational unit can be hot. Exercise caution when handling with unprotected hands.

**Warning**

Operating Temperature. This product is designed for a maximum ambient temperature of 45°C (122° F) ⚡ E7.

**Warning**

To reduce the risk of electric shock, the PoE port on this product must not connect to cabling that is routed outside the building where this device is located. ⚡ E40

**Warning**


This equipment is intended for indoor use only. ⚡ E95

Note

If you are not using PoE to power to unit, use only an approved AC/DC adapter. Refer to “Power Specifications” on page 62.



Caution

The unit does not contain serviceable components. Please return damaged units for servicing.  E42

Note

You should verify that your PoE network adheres to the standards of a separated extra-low voltage (SELV) circuit before using the PoE feature on the wireless access point.

Unpacking the Shipping Box

To verify the contents of the shipping box, perform the following procedure:


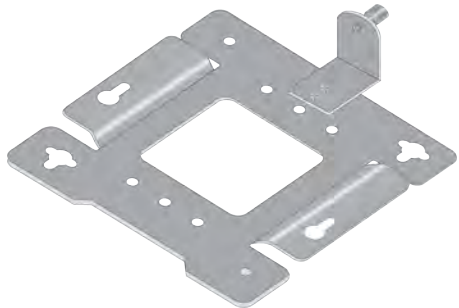

1. Remove all components from the shipping box.

Note

Store the packaging material in a safe location. Please use the original shipping material if you need to return the device to Allied Telesis.

2. Verify the contents of the shipping box listed in Table 11. If any item is missing or damaged, contact your Allied Telesis sales representative for assistance.

Figure 11. Shipping Box Components

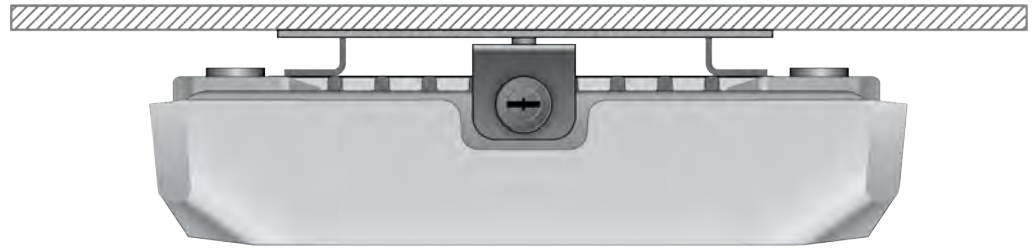
Name	Component
TQ6K GEN2 Access Point	
One Mounting Bracket	
Two M5 x 8mm, Pan-head Screws	

Reviewing Installation Guidelines

Review the following guidelines before installing the access point:

- ❑ The ceiling or wall mounting surface must be of proper material to accommodate the screws and strong enough to support the weight of the access point and cables. (Refer to Table 4 on page 61 for the product weight.)
- ❑ You can install the access point on a wall where Cisco or Fortinet bracket has already been installed. You need a bracket converter. See “the *AT-BRKT-CONV-AP1 Bracket Converter Installation Guide*” for more information.
- ❑ Connect the Ethernet cable(s) and power cord (if applicable) to the access point before installing the product on the ceiling or wall. Depending on the installation location, connecting or removing cables may be difficult after the device is installed.
- ❑ Verify that the Ethernet cable(s) is long enough to connect to its destination port(s) before installing the access point. Once the installation is complete, it is physically difficult to change the cables.
- ❑ If the wireless access point is powered by an AC adapter, verify that an AC power outlet is within six feet of the planned installation site. (Refer to “Power Specifications” on page 62 for the AC adapter specifications.)
- ❑ Refer to Figure 12 on page 41 for approved orientations of the wireless access point on a table, wall, or ceiling.

Ceiling Installation



Wall Installation

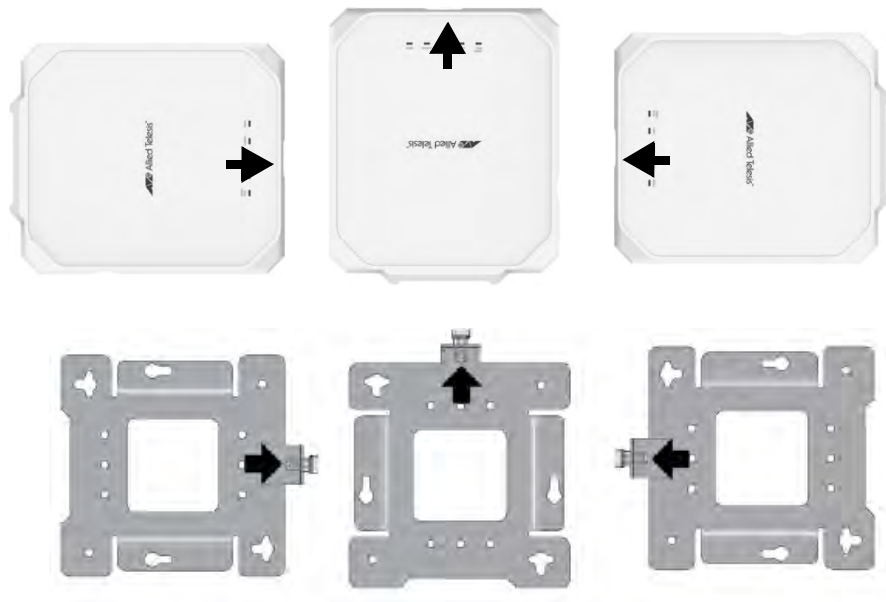
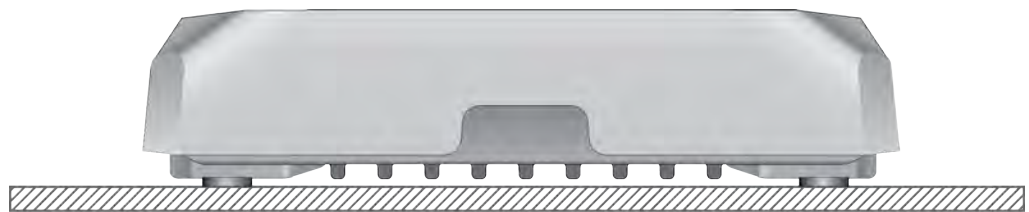


Table Installation



6017

Figure 12. Approved Installation Orientations on a Ceiling, Wall, or Table

Installing the Access Point on a Table

You need the following items to install the access point on a table:

- TQ6K GEN2 Access Point
- One or two Ethernet cables
- External AC power adapter (Optional if using PoE+. Required if not using PoE+ or for redundant power.)
- Kensington lock (optional)

Note

See “Reviewing Safety Precautions” on page 36 and “Reviewing Installation Guidelines” on page 40 before installing the product.

Perform the following steps to install the wireless access point on a table:

1. Place the access point at the selected location on the table.
2. Connect Ethernet cables to LAN1 and LAN2 ports. Refer to “Connecting Ethernet Cables to LAN1 and LAN2 Ports” on page 51.
3. To connect an AC power adapter to the access point, go to “Connecting the AC Power Adapter” on page 54.
4. To install a security cable, refer to “Installing an Anti-theft Device” on page 58.
5. To start managing the device, go to “Starting the First Management Session” on page 59.

Overview to Installing the Access Point on a Wall or Ceiling

Here are the procedures for installing the wireless access point on a wall or ceiling:

- ❑ “Pre-fitting the Mounting Bracket on the Access Point” on page 44
- ❑ “Installing the Mounting Bracket on a Wall or Ceiling” on page 47
- ❑ “Connecting Ethernet Cables to LAN1 and LAN2 Ports” on page 51
- ❑ “Connecting the AC Power Adapter” on page 54
- ❑ “Attaching the Access Point to the Mounting Bracket” on page 55
- ❑ “Installing an Anti-theft Device” on page 58

Note

Please see “Reviewing Safety Precautions” on page 36 and “Reviewing Installation Guidelines” on page 40 before installing the product.

Note

Depending on the installation location, it may be easier to connect the network cables and optional power adapter to the wireless access point before installing it on the wall or ceiling.

You need the following items to install the wireless access point on a ceiling or wall:

- ❑ TQ6K GEN2 Access Point
- ❑ Two screws to attach the access point to the mounting bracket
- ❑ Mounting bracket
- ❑ Four (4) M4, 25.0 mm flat-head wood screws and anchors (not provided) for fastening the mounting bracket
- ❑ Phillips head screwdriver (not provided)
- ❑ Pencil (not provided)
- ❑ External AC power adapter (Optional if using PoE+. Required if not using PoE+ or for redundant power.)
- ❑ Kensington lock (optional and not provided)

Note

The four Phillips head M4 screws/anchors, the Phillips head screwdriver, pencil, external AC power adapter and Kensington lock are *not* included with the product.

Pre-fitting the Mounting Bracket on the Access Point

To pre-fit the mounting bracket on the access point, perform the following procedure:

1. Install the two screws (provided) in the bottom side of the access point chassis. Leave the screws loose enough so that you can slide the bracket under the screw heads. Refer to Figure 13.

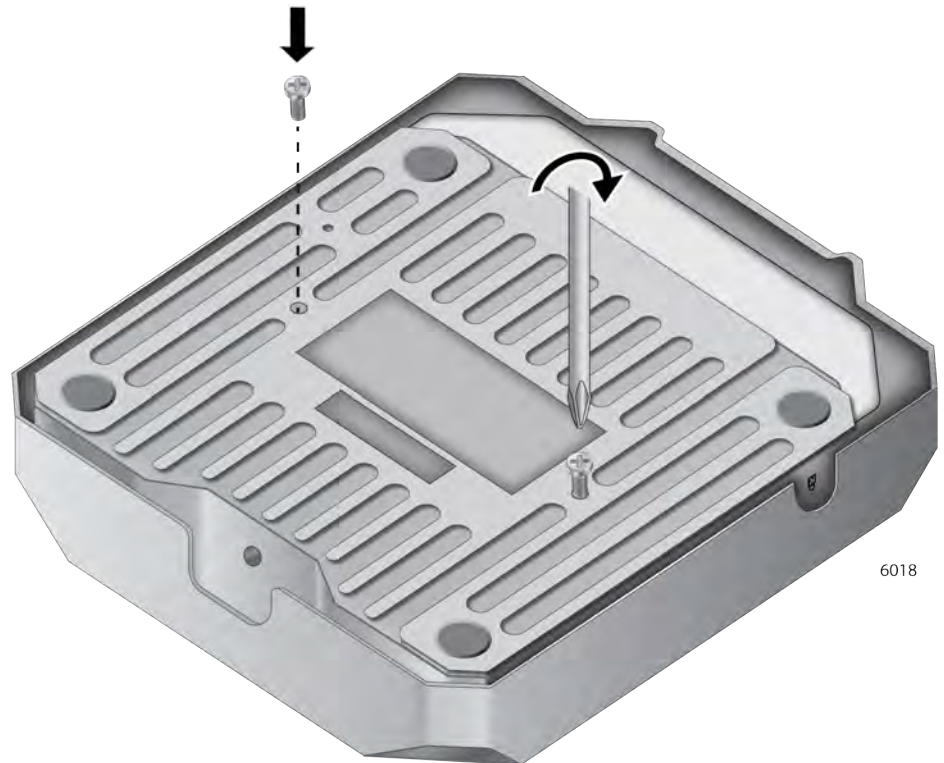


Figure 13. Attaching the Bracket Screws to the Wireless Access Point

2. Install the mounting bracket on the access point by sliding the keyholes under the screws. Refer to Figure 14 on page 45.



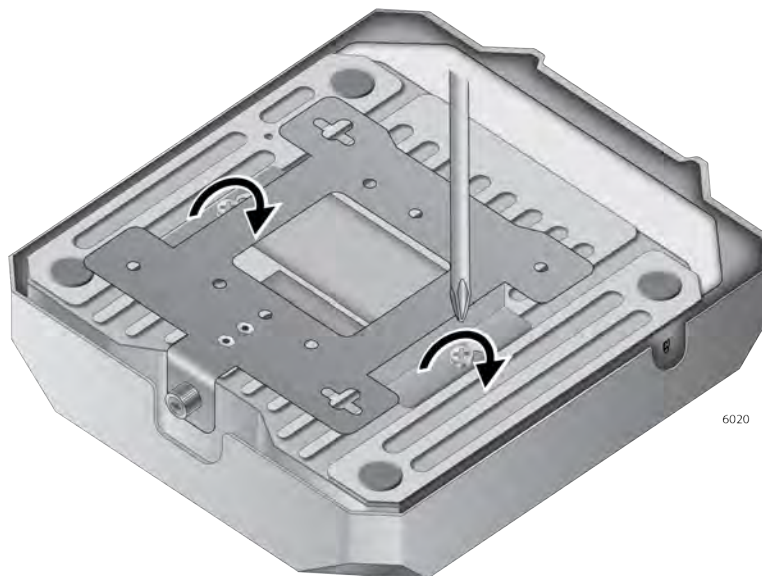
6019

Figure 14. Attaching the Mounting Bracket on the Access Point

3. Tighten the screws so that they touch the mounting bracket plate, and then loosen them by approximately 1/4 turn. Refer to Figure 15.

Note

Adjust the screws so they are loose enough for you to remove the bracket, but tight enough to prevent the access point from rattling against the mounting bracket.



6020

Figure 15. Adjusting the Screws on the Access Point

4. Slide the mounting bracket forward and temporarily remove it from the access point. Refer to Figure 16.

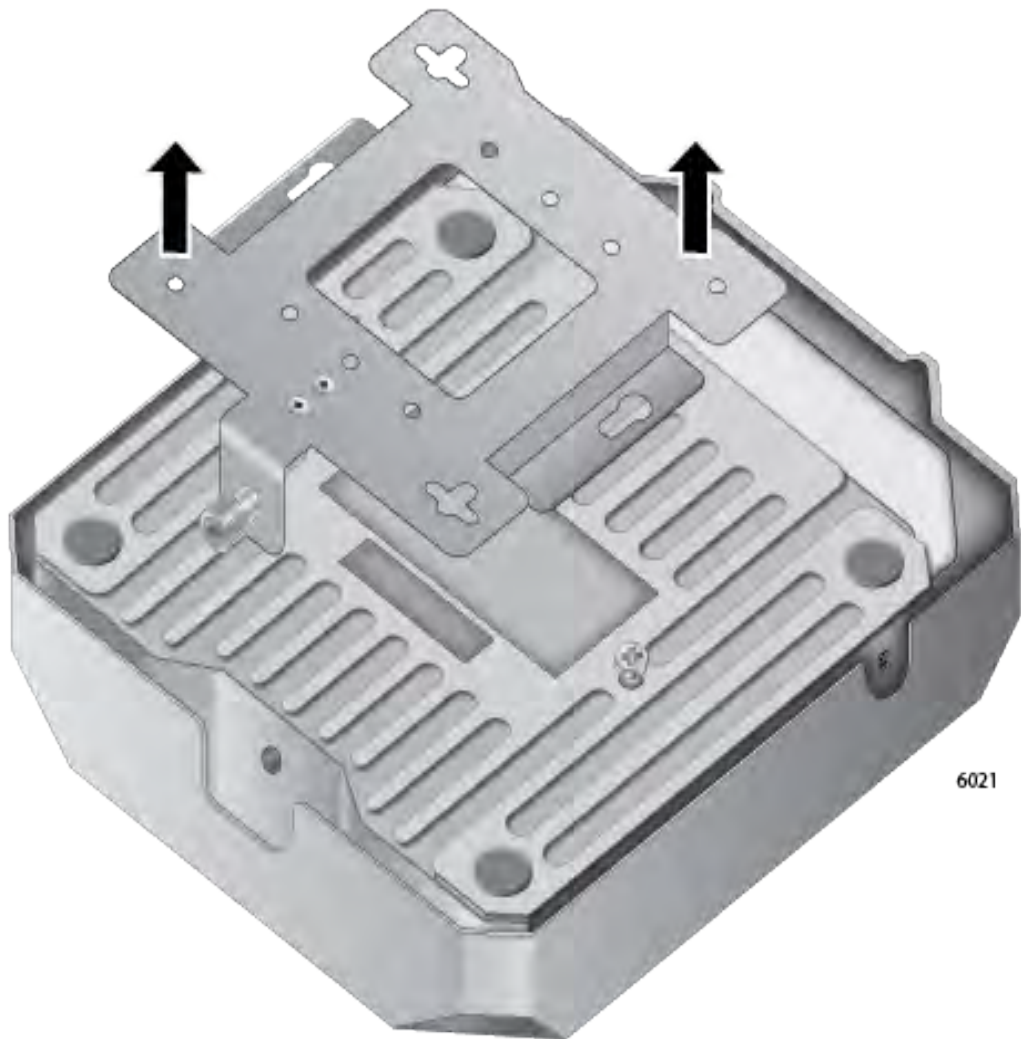


Figure 16. Removing the Mounting Bracket from the Access Point

5. Go to “Installing the Mounting Bracket on a Wall or Ceiling” on page 47.

Installing the Mounting Bracket on a Wall or Ceiling

To install the mounting bracket on a wall or ceiling, perform the following procedure:

1. Choose the location and orientation for the access point on the wall or ceiling. Refer to Figure 12 on page 41.
2. Position the mounting bracket at the selected location and orientation for the access point. Consider the following guidelines.
 - ❑ The thumbscrew on the mounting bracket is where the front panel of the access point will be.
 - ❑ The ports and connectors are on the back panel, away from the thumbscrew.
3. With a pencil, mark the wall or ceiling with the two key-hole slots of the bracket. Refer to Figure 17.

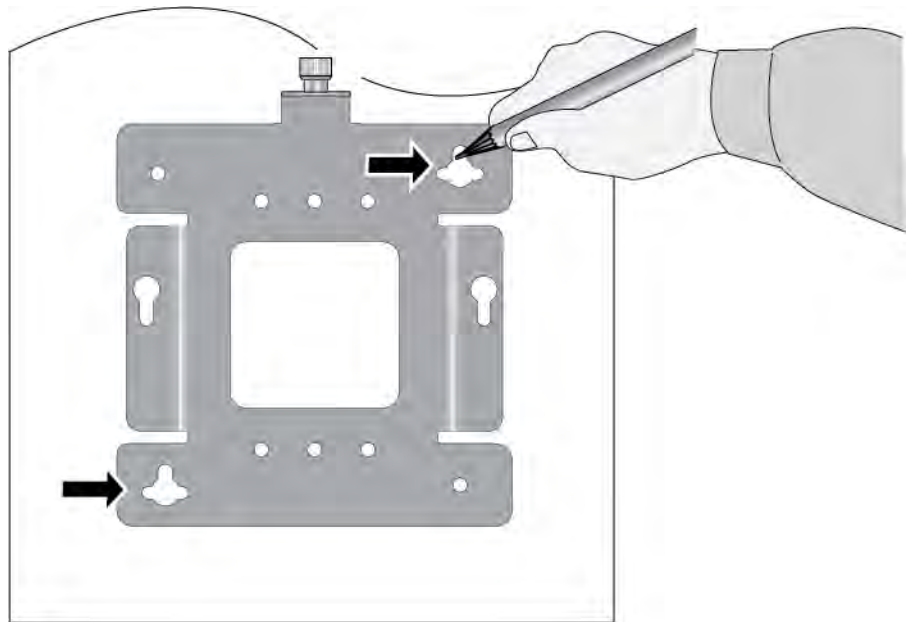


Figure 17. Marking the Holes for the Key-Hole Slots

4. Pre-drill the two marked locations for the keyhole slots on the hard-surface ceiling or wall.

5. Install two M4 screws and anchors (if required). Leave the screws loose enough so that the bracket can slide under the screw heads. Refer to Figure 18.

Note

For a wooden wall or ceiling, use M4 x 25 mm flat-head wood screws and anchors, if required. The screws and anchors are not provided.

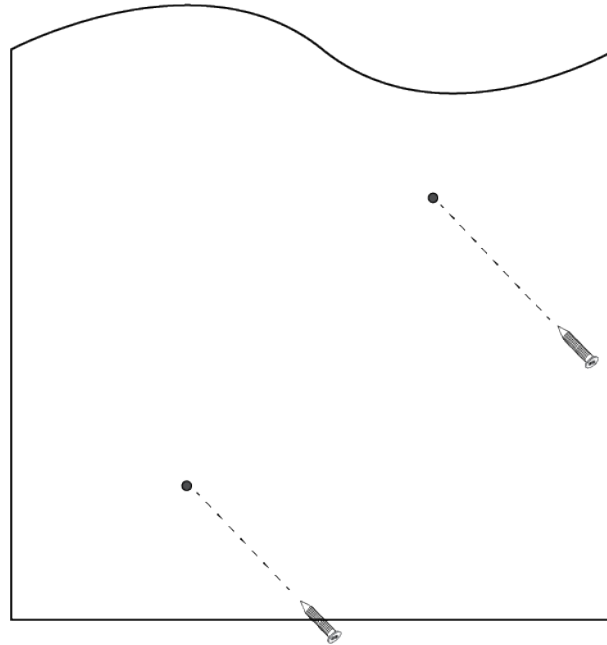


Figure 18. Installing Two Screws

6. Insert the openings of the bracket key-hole slots under the two screw heads and slide the bracket into the narrow end of the key-hole slot openings. See Figure 19.

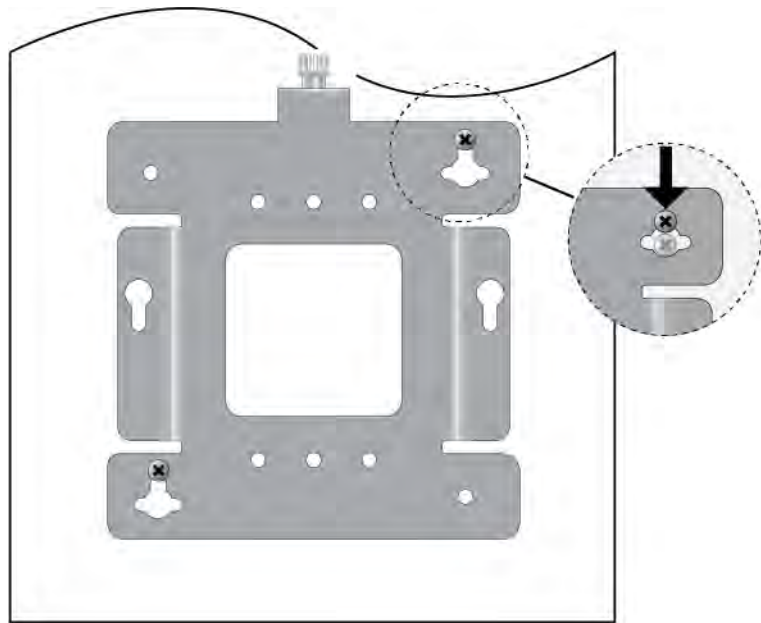


Figure 19. Installing the Mount Bracket On the Screws

7. Tighten the screws snugly onto the bracket.
8. To secure the mounting bracket, pre-drill holes through the two bracket mounting holes opposite the key-hole slots. See Figure 20.

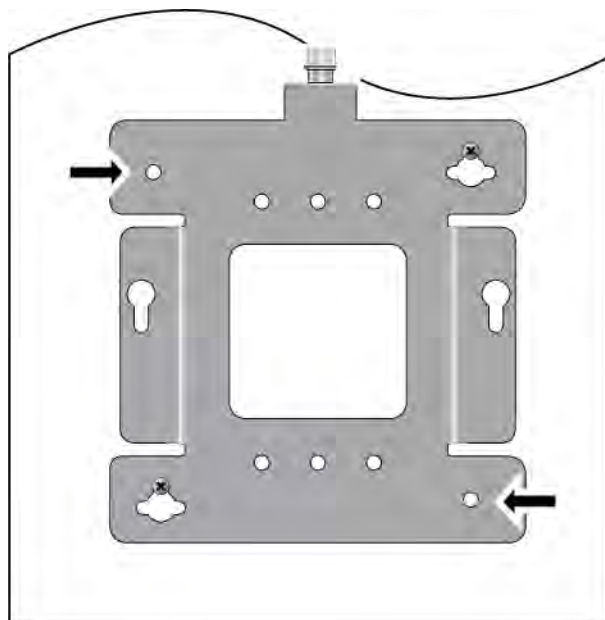


Figure 20. Pre-Drill Holes on Mounting Bracket

9. Install and tighten two M4 screws (not provided) in the holes prepared in Step 8.

The bracket installation is now complete. See Figure 21.

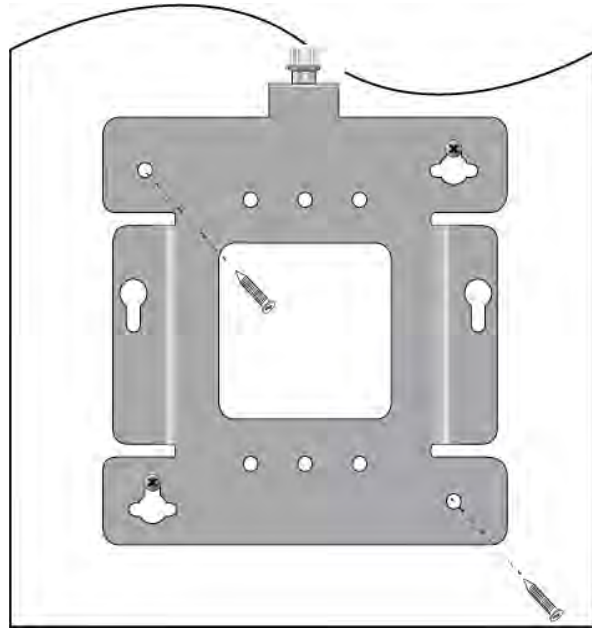


Figure 21. Securing the Mount Bracket

10. Go to “Connecting Ethernet Cables to LAN1 and LAN2 Ports” on page 51.

Connecting Ethernet Cables to LAN1 and LAN2 Ports

This section describes the instructions for connecting Ethernet cables to the LAN1 and LAN2 ports.

Guidelines Review the following guidelines before connecting cables to the LAN1 and LAN2 ports:

- ❑ For information on cable specifications, see “Cable Requirements” on page 31.
- ❑ If you are installing the access point on a ceiling or wall, you might find it easier to connect the cables before placing the unit on the mounting bracket.
- ❑ You must use port LAN1 if you are connecting only one LAN port to the network.
- ❑ To power the access point through PoE+ LAN port(s), see “PoE+ Power Requirements” on page 63.
- ❑ To use both LAN1 and LAN2 ports, you have to connect them to the same network device. The device must support static LAGs.
- ❑ The default setting for the LAN2 port and static LAG on the wireless access point is disabled. You enable them with the on-board web browser management interface. For instructions, see the *TQ6K GEN2 Management Software User’s Guide*.

Note

Do not enable the LAN2 port until you have configured the other network device for the static LAG.

Connecting the Ethernet Cables to LAN Ports

To connect the network cables, perform the following procedure:

1. To cable LAN1 port, connect an Ethernet cable into the port. The cable requirements are in “Cable Requirements” on page 31. Refer to Figure 22.

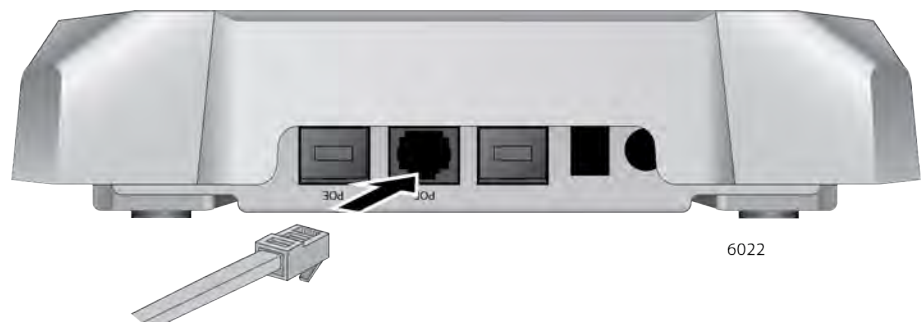


Figure 22. Connecting an Ethernet Cable to the LAN1 Port

2. Connect the other end of the Ethernet cable to a network Ethernet device, such as an Ethernet switch or router.

Note

If the device is a PoE+ source device, the access point begins to power on and initialize its management software.

3. To use LAN2 port in the static LAG or Cascade mode, connect a second Ethernet cable to the port with these steps.
 - a. Remove the dust plug from the port. Refer to Figure 23.

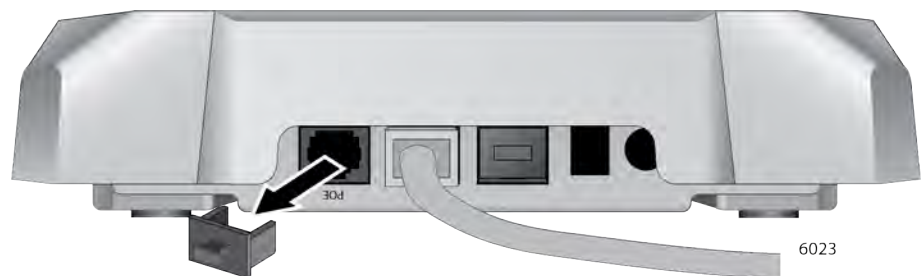


Figure 23. Removing the Dust Plug from the LAN2 Port

- b. Connect a second Ethernet cable into the LAN2 port. Refer to Figure 24.

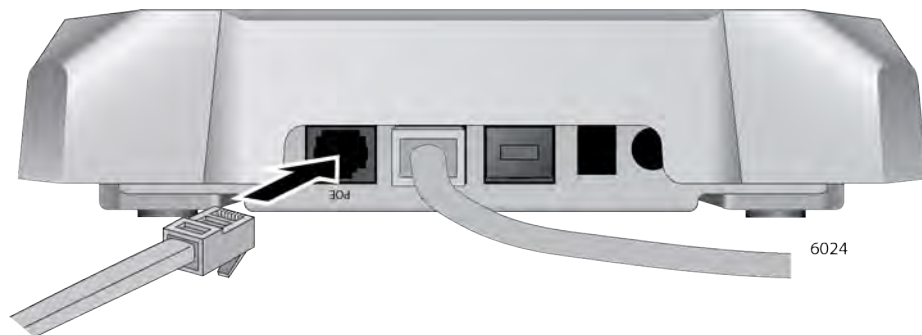


Figure 24. Connecting the Ethernet Cable to the LAN2 Port

4. Connect the other end to a network device. To use the port as a static LAG with the LAN1 port, connect it to the same router or switch as LAN1 port. To use it in the Cascade mode, connect it to a different device. For an overview, refer to “Static Link Aggregation” on page 28 and “Cascade Mode” on page 29.

Note

The default setting for the LAN2 port is disabled, To set it to the Static LAG or Cascade mode, use the on-board web browser management interface, explained in the TQ6K GEN2 *Management Software User Guide*.

5. Do one of the following:
 - a. If the access point is to be power only by PoE+, without an AC power adapter, go to “Attaching the Access Point to the Mounting Bracket” on page 55.
 - b. To connect an external AC power adapter, go to “Connecting the AC Power Adapter”.

Connecting the AC Power Adapter

The access point can be powered with PoE+ on the LAN1 or/and LAN2 ports, an AC power adapter, or both. A wireless access point that is powered by both methods uses the AC adapter as its primary power and PoE as redundant power. For an AC power adapter, Allied Telesis recommends the AT-MWS0091 Power Adapter.

If you purchased a power adapter for the wireless access point, perform the following procedure. Otherwise, go to “Attaching the Access Point to the Mounting Bracket” on page 55.

Perform the following procedure to install an AC power adapter:

1. If the AC power adapter has replaceable AC plugs, like the AT-MWS0091 Power Adapter shown in Figure 9 on page 32, verify that the current plug on the adapter is the correct plug for your region. If it is not, install the correct AC plug by following the instructions provided with the adapter.
2. Plug the cable from the power adapter into the power connector on the access point. Refer to Figure 25.

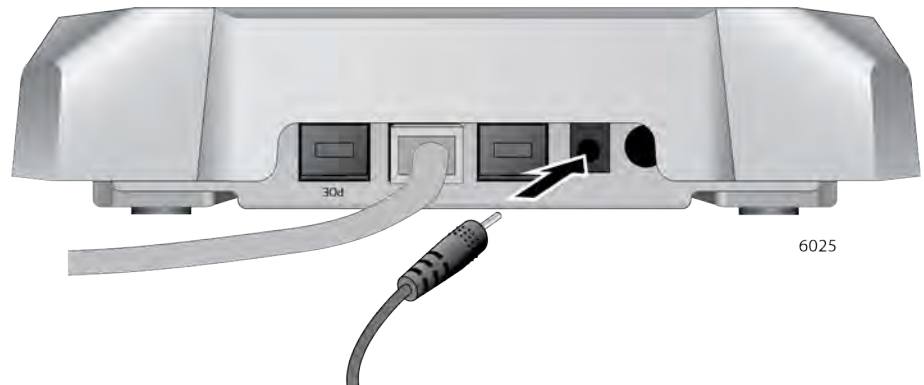


Figure 25. Connecting an AC Power Adapter to the Access Point

3. Connect the power adapter into an appropriate AC power source.
4. Turn on the Power Switch.

Note

The Power Switch controls power from the AC power supply. It does not control PoE+ on the LAN1 and LAN2 ports.

5. Go to “Attaching the Access Point to the Mounting Bracket” on page 55.

Attaching the Access Point to the Mounting Bracket

To attach the wireless access point on the mounting bracket on the wall or ceiling, perform the following procedure:

1. Align the bottom of the access point over the bracket so that the two screws on the bottom of the device fit into the bracket keyholes. Refer to Figure 26. (These are the two access point chassis screws installed in “Pre-fitting the Mounting Bracket on the Access Point” on page 44.)



Figure 26. Installing the Access Point on the Mounting Bracket

2. Slide the access point forward until its screws are seated in the bracket keyhole slots and the bracket thumbscrew is aligned with the screw hole on the front panel.

See Figure 27 on page 56 for the access point and bracket orientations.



Figure 27. Seating the Access Point on the Mounting Bracket

3. Tighten the thumbscrew to secure the access point to the mounting bracket. Refer to Figure 28.

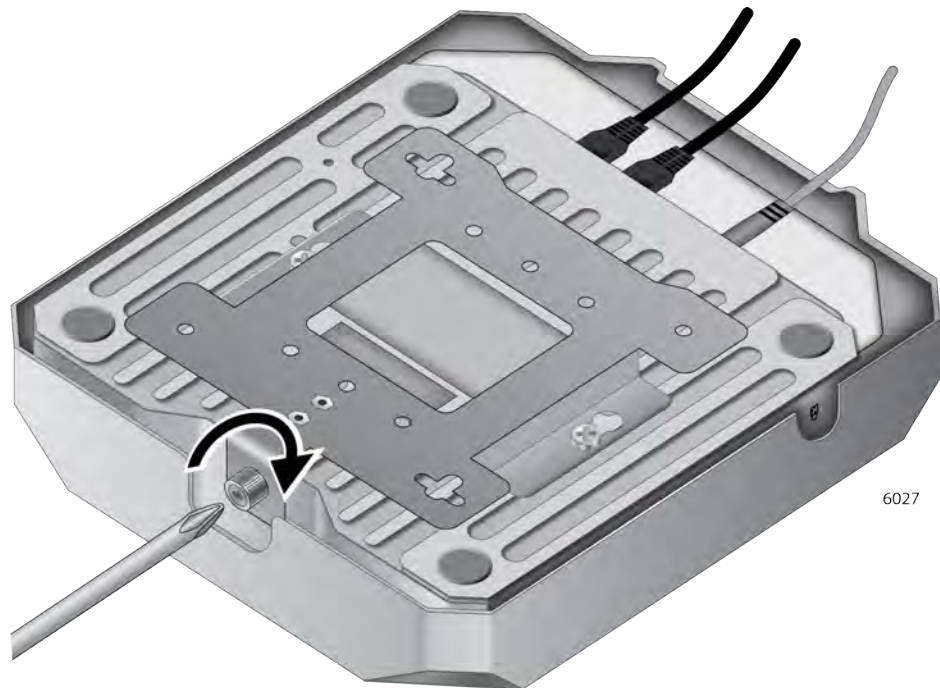


Figure 28. Tightening the Mounting Bracket Thumbscrew

4. Place the Ethernet cable(s) and power cable (if any) along the cable guides inside of the top cover in the cable hide space. See Figure 29.

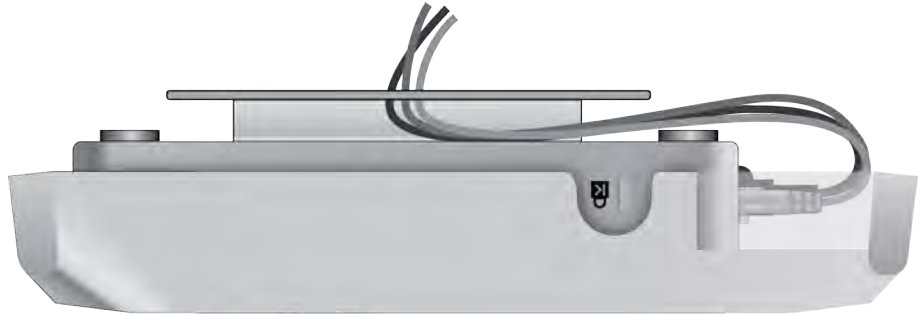


Figure 29. Fitting the Cables in the Cable Hide

5. Go to “Installing an Anti-theft Device” on page 58 or “Starting the First Management Session” on page 59.

Installing an Anti-theft Device

Installation of an anti-theft cable/lock is optional. The access point has a lock port that is compatible with a Kensington lock. The lock port can be used to physically secure the device to a table, wall, or a ceiling.

Note

Anti-theft devices are not available from Allied Telesis.

1. Follow the instructions provided with the vendor's anti-theft device for the installation. See Figure 30 for the Kensington lock port location.



Figure 30. Kensington Lock Port Location

2. If you are installing the wireless access point on a wall or ceiling and have not installed in on the mounting bracket yet, go to “Attaching the Access Point to the Mounting Bracket” on page 55.

Starting the First Management Session

This section contains an abbreviated version of the procedure to start the first management session. For complete instructions, refer to the TQ6K GEN2 *Management Software User's Guide*.

The wireless access point firmware includes a DHCP client. The default setting for the client is enabled. When you power on the access point for the first time, it queries the subnet on the LAN1 port for a DHCP server. If a DHCP server responds to its query, the unit uses the IP address the server assigns to it. If there is no DHCP server, the access point uses the default IP address 192.168.1.230.

To start the first management session, perform the following procedure:

1. Start the web browser on your management workstation.
2. Enter the IP address of the wireless access point in the URL field of the web browser. The address is one of the following:
 - If your network does not have a DHCP server, enter the default address 192.168.1.230.
 - If your network has a DHCP server, enter the IP address the DHCP server assigned to the access point.

The wireless access point displays the login prompt. Refer to Figure 31.



Figure 31. Login Prompt

3. Enter "manager" for the user name and "friend" for the password. The user name and password are case-sensitive.

Appendix A

Technical Specifications

This appendix contains the specifications for the TQ6K GEN2 Access Points in the following sections:

- “Physical Specifications”
- “Environmental Specifications”
- “Power Specifications” on page 62
- “Cable Specifications” on page 64
- “LAN Ports Specifications and Pinouts” on page 65

Physical Specifications

Table 4. Physical Specifications

To be updated

To be updated

Parameter	Specification
Dimensions (W x D x H)	200 mm X 240 mm X 45 mm (7.9 in. x 9.4 in. x 1.78 in.)
Weight without mounting bracket	Less than 1.2Kg (1.54 lbs)
Weight with mounting bracket	00g (0.0 lbs)

Environmental Specifications

Table 5. Environmental Specifications

To be updated

Parameter	Specification
Operating Temperature when powered by AC/DC adapter	0° C to 45° C (32° F to 113° F)
Operating Temperature when powered by PoE power source	0° C to 50° C (32° F to 122° F)
Storage Temperature	- 25° C to 70° C (- 13° F to 158° F)
Operating Humidity	0% to 90% non-condensing
Storage Humidity	0% to 95% non-condensing
Maximum Operating Altitude	3000 m (9843 ft)

Power Specifications

Input Power Specifications

Table 6 lists the power requirements of the access points.

Table 6. Input Power Specifications

Parameter	Specification
Rated Input Voltage	12 VDC
Maximum Input Current	0.7 A
Average Input Current	0.52 A

To be updated

External AC Adapter Specifications

Table 7 lists the power requirements for an external AC/DC adapter.

Table 7. External AC/DC Adapter Specifications

Parameter	Specification
Input Voltage Range	100~240 VAC
Input Frequency	50 - 60 Hz
Rated Output Voltage	+12 VDC
Rated Output Current	2 A
Temperature Range	0° C to 45° C (32° F to 113° F)
Maximum Operating Altitude	3000 m (9843 ft)

To be updated

Note

If you decide to use an AC adapter with the access point, Allied Telesis recommends the AT-PWRADP-01 adapter. The adapter is a UL Listed power supply and is compatible with the above specifications while meeting the standards of a separated extra-low voltage (SELV) product.

Note

The AT-PWRADP-01 adapter is sold separately.

PoE+ Power Requirements

Table 8 lists the PoE+ specifications for the PoE LAN ports.

Table 8. PoE+ Power Requirements on LAN Ports

	Maximum Power Consumption
PoE LAN ports	25.5 watts

Cable Specifications

The minimum cable requirements for ports LAN1 and LAN2 are listed here.

- ❑ 10Mbps or 100Mbps ports: Standard TIA/EIA 568-B-compliant Category 3 shielded or unshielded cabling.
- ❑ 1G/2.5G/5G ports: Standard TIA/EIA 568-A-compliant Category 5 or TIA/EIA 568-B-compliant Enhanced Category 5 (Cat 5e) unshielded cabling.

Note

The maximum operating distance of the cables is 100 meters (328 feet).

LAN Ports Specifications and Pinouts

Port Specifications The access point port specifications are shown in Table 9.

Table 9. LAN Port Specifications

Connector	Specification
PoE standard - LAN1 and LAN2	IEEE 802.3at (class 4)

Port Pinouts The pin signal definitions for ports LAN1 and LAN2 are given here. Figure 32 illustrates the pin layout of the ports.

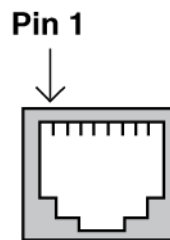


Figure 32. Pin Layout for RJ45 Connector on LAN Port

Table 10 lists the pin signals.

Table 10. Pin Signals for 100M/1G/2.5G/5G Base-T Connectors

Pin	100 Mbps MDI Signal	100 Mbps MDI-X Signal	1G/2.5G/5G Signal
1	TX+	RX+	Bi-directional pair A+
2	TX-	RX-	Bi-directional pair A-
3	RX+	TX+	Bi-directional pair B+
4	Not used	Not used	Bi-directional pair C+
5	Not used	Not used	Bi-directional pair C-
6	RX-	TX-	Bi-directional pair B-
7	Not used	Not used	Bi-directional pair D+
8	Not used	Not used	Bi-directional pair D-

Appendix B

Regulatory Statements

This appendix contains the following regulatory statements:

- ❑ “Federal Communication Commission Interference Statement” on page 68
- ❑ “Industry Canada Statement” on page 70
- ❑ “Europe - EU Declaration of Conformity” on page 72
- ❑ “UK - UKCA Declaration of Conformity” on page 73

Federal Communication Commission Interference Statement

This device complies with Part 15 of the FCC Rules. Operation is subject to the following two conditions: (1) This device may not cause harmful interference, and (2) this device must accept any interference received, including interference that may cause undesired operation.

This equipment has been tested and found to comply with the limits for a Class B digital device, pursuant to Part 15 of the FCC Rules. These limits are designed to provide reasonable protection against harmful interference in a residential installation. This equipment generates, uses and can radiate radio frequency energy and, if not installed and used in accordance with the instructions, may cause harmful interference to radio communications. However, there is no guarantee that interference will not occur in a particular installation. If this equipment does cause harmful interference to radio or television reception, which can be determined by turning the equipment off and on, the user is encouraged to try to correct the interference by one of the following measures:

- Reorient or relocate the receiving antenna.
- Increase the separation between the equipment and receiver.
- Connect the equipment into an outlet on a circuit different from that to which the receiver is connected.
- Consult the dealer or an experienced radio/TV technician for help.



Caution

FCC Caution: Any changes or modifications not expressly approved by the party responsible for compliance could void the user's authority to operate this equipment. Ⓜ E80



Caution

Avertissement de la FCC: Les changements ou modifications non expressément approuvés par la partie responsable de la conformité pourraient annuler l'autorité de l'utilisateur à utiliser cet équipement.
Ⓜ E80

This transmitter must not be co-located or operating in conjunction with any other antenna or transmitter.

The device is restricted to indoor use only and can be operated within 2412MHz to 2462MHz, 5180GHz to 5320GHz, 5500GHz to 5720GHz, and 5745GHz to 5825GHz. Selection of other channels is disabled. Professional installation is required. The device meets all the other requirements specified in Part E, Section 15.407 of the FCC Rules.

Radiation Exposure Statement

This equipment complies with FCC radiation exposure limits set forth for an uncontrolled environment. This equipment should be installed and operated with minimum distance 20 cm between the radiator & your body.

Industry Canada Statement

This device contains licence-exempt transmitter(s)/receiver(s) that comply with Innovation, Science and Economic Development Canada's licence-exempt RSS(s). Operation is subject to the following two conditions:

- (1) This device may not cause interference.
- (2) This device must accept any interference, including interference that may cause undesired operation of the device.

L'émetteur/récepteur exempt de licence contenu dans le présent appareil est conforme aux CNR d'Innovation, Sciences et Développement économique Canada applicables aux appareils radio exempts de licence. L'exploitation est autorisée aux deux conditions suivantes:

- (1) L'appareil ne doit pas produire de brouillage.
- (2) L'appareil doit accepter tout brouillage radioélectrique subi, même si le brouillage est susceptible d'en compromettre le fonctionnement.

This Class B digital apparatus complies with Canadian ICES-003.

Cet appareil numérique de la Class B est conforme à la norme NMB-003 du Canada.

Caution:

(i) the device for operation in the band 5150-5250 MHz is only for indoor use to reduce the potential for harmful interference to co-channel mobile satellite systems;

(ii) the maximum antenna gain permitted for devices in the bands 5250-5350 MHz and 5470-5725 MHz shall be such that the equipment still complies with the e.i.r.p. limit;

(iii) the maximum antenna gain permitted for devices in the band 5725-5850 MHz shall be such that the equipment still complies with the e.i.r.p. limits specified for point-to-point and non-point-to-point operation as appropriate; and

(iv) the worst-case tilt angle(s) necessary to remain compliant with the e.i.r.p. elevation mask requirement set forth in Section 6.2.2(3) shall be clearly indicated.

(v) Users should also be advised that high-power radars are allocated as primary users (i.e. priority users) of the bands 5250-5350 MHz and 5650-5850 MHz and that these radars could cause interference and/or damage to LE-LAN devices.

Avertissement:

Le guide d'utilisation des dispositifs pour réseaux locaux doit inclure des instructions précises sur les restrictions susmentionnées, notamment:

- (i) les dispositifs fonctionnant dans la bande 5150-5250 MHz sont réservés uniquement pour une utilisation à l'intérieur afin de réduire les risques de brouillage préjudiciable aux systèmes de satellites mobiles utilisant les mêmes canaux;
- (ii) le gain maximal d'antenne permis pour les dispositifs utilisant les bandes de 5250 à 5350 MHz et de 5470 à 5725 MHz doit être conforme à la limite de la p.i.r.e.;
- (iii) le gain maximal d'antenne permis (pour les dispositifs utilisant la bande de 5725 à 5850 MHz) doit être conforme à la limite de la p.i.r.e. spécifiée pour l'exploitation point à point et l'exploitation non point à point, selon le cas;
- (iv) les pires angles d'inclinaison nécessaires pour rester conforme à l'exigence de la p.i.r.e. applicable au masque d'élévation, et énoncée à la section 6.2.2 3), doivent être clairement indiqués.
- (v) De plus, les utilisateurs devraient aussi être avisés que les utilisateurs de radars de haute puissance sont désignés utilisateurs principaux (c.-à-d., qu'ils ont la priorité) pour les bandes 5250-5350 MHz et 5650-5850 MHz et que ces radars pourraient causer du brouillage et/ou des dommages aux dispositifs LAN-EL.

Radiation Exposure Statement:

This equipment complies with ISED radiation exposure limits set forth for an uncontrolled environment. This equipment should be installed and operated with minimum distance 20cm between the radiator & your body.

Déclaration d'exposition aux radiations:

Cet équipement est conforme aux limites d'exposition aux rayonnements ISED établies pour un environnement non contrôlé. Cet équipement doit être installé et utilisé avec un minimum de 20cm de distance entre la source de rayonnement et votre corps.

Europe - EU Declaration of Conformity

Hereby, Allied Telesis declares that the radio equipment type [AT-TQ6702 GEN2, AT-TQm6702 GEN2, AT-TQ6602 GEN2, AT-TQm6602 GEN2] is in compliance with Directive 2014/53/EU.

Operating Frequencies and Maximum Transmission Power Levels

The operating frequencies and maximum transmission power levels for wireless devices operated in the EU are listed below:

- 2412-2472 MHz:
xx.xx dBm (Beamforming), xx.xx dBm (Non-Beamforming)
- 5150-5250 MHz:
xx.xx dBm (Beamforming), xx.xx dBm (Non-Beamforming)
- 5250-5350 MHz:
xx.xx dBm (Beamforming), xx.xx dBm (Non-Beamforming)
- 5470-5725 MHz:
xx.xx dBm (Beamforming), xx.xx dBm (Non-Beamforming)

Note

Operations in the 5.15 - 5.35 GHz band are restricted to indoor usage only.

Radiation Exposure Statement

This equipment complies with EU radiation exposure limits set forth for an uncontrolled environment. This equipment should be installed and operated with a minimum distance of xx cm between the radiator and your body.



AT	BE	BG	CH	CY	CZ	DE	DK	EE
EL	ES	FI	FR	HR	HU	IE	IS	IT
LI	LT	LU	LV	MT	NL	NO	PL	PT
RO	SE	SI	SK	TR	UK (NI)			

Importer

Allied Telesis International BV
Incheonweg 7, 1437 EK Rozenburg

Note

Contact Allied Telesis for the EU conformity statement. To contact Allied Telesis, visit our web site at www.alliedtelesis.com/contact.

UK - UKCA Declaration of Conformity

Hereby, Allied Telesis declares that the radio equipment type [AT-TQ6702 GEN2, AT-TQm6702 GEN2, AT-TQ6602 GEN2, AT-TQm6602 GEN2] is in compliance with the Radio Equipment Regulations 2017

Operating Frequencies and Maximum Transmission Power Levels

The operating frequencies and maximum transmission power levels for wireless devices operated in the EU are listed below:

- 2412-2472 MHz:
xx.xx dBm (Beamforming), xx.xx dBm (Non-Beamforming)
- 5150-5250 MHz:
xx.xx dBm (Beamforming), xx.xx dBm (Non-Beamforming)
- 5250-5350 MHz:
xx.xx dBm (Beamforming), xx.xx dBm (Non-Beamforming)
- 5470-5725 MHz:
xx.xx dBm (Beamforming), xx.xx dBm (Non-Beamforming)

Note

Operations in the 5.15 - 5.35 GHz band are restricted to indoor usage only.

Radiation Exposure Statement

This equipment complies with EU radiation exposure limits set forth for an uncontrolled environment. This equipment should be installed and operated with a minimum distance of xx cm between the radiator and your body.



Importer

Allied Telesis International BV
11 Pine Court, Kembrey Park Swindon Wiltshire SN2 8AD,
United Kingdom

Note

Contact Allied Telesis for the UK conformity statement. To contact Allied Telesis, visit our web site at www.alliedtelesis.com/contact.
