

IQ sound[®]

High performance speaker with Drum Kit and stick

MODEL: IQ-8210DJDRM

USER MANUAL



COMPLIANCE WITH FCC REGULATIONS

This device complies with Part 15 of the FCC Rules. Operation is subject to the following two conditions:

- (1) this device may not cause harmful interference, and
- (2) this device must accept any interference received, including interference that may cause undesired operation.

PRECAUTIONS BEFORE USE

- UNPACK ALL PARTS AND REMOVE PROTECTIVE MATERIAL.
- DO NOT CONNECT THE UNIT TO THE MAINS BEFORE CHECKING THE MAINS VOLTAGE AND UNTIL ALL OTHER CONNECTIONS HAVE BEEN MADE.
- DO NOT COVER ANY VENTS AND MAKE SURE THAT THERE IS A SPACE OF SEVERAL INCHES AROUND THE UNIT FOR VENTILATION.

IMPORTANT NOTES

- Stop operation immediately if any liquid or solid object should fall into the cabinet
- If the unit is not to be used for a long period of time, make sure that all power sources are disconnected from the unit. And unplug the AC-DC adaptor from the wall outlet. Make it a practice to remove the AC-DC adaptor by grasping the plug and not by pulling the cord.
- Places exposed to direct sunlight or close to heat radiating appliances such as electric heaters.
- Places subject to constant vibration.
- Dusty, humid or moist places.
- Unplug the unit from the electrical power outlet immediately in case of malfunction.



WARNING: TO AVOID THE DANGER OF FIRE OR ELECTRIC SHOCK, DO NOT EXPOSE THIS APPLIANCE TO RAIN OR MOISTURE. NEVER OPEN THE CABINET, AS DANGEROUS HIGH VOLTAGES ARE CONTAINED INSIDE. ONLY A QUALIFIED SERVICE TECHNICIAN SHOULD ATTEMPT TO OPEN THE CABINET.

CAUTION:

This equipment generates, uses and can radiate radio frequency energy, if not installed and used in accordance with the instructions, may cause harmful interference to radio communication. However, this is no guarantee that interference will not occur in a particular installation. If this equipment does cause harmful interference to radio or television reception, which can be determined by turning the equipment off and on, the user is encouraged to try to correct the interference by one of the following measures;

- Reorient or relocate the receiving antenna
- Increase the separation between the equipment and receiver
- Connect the equipment in to an outlet on a circuit different from that to which the receiver is connected
- Consult the dealer or an experienced radio/TV technician for help

PROTECT YOURSELF!

Record the model and serial numbers for this unit while it is easy to see them. These numbers are located on the back of the unit's cabinet. Retain this information for future reference.

CAUTION RISK OF ELECTRIC SHOCK DO NOT OPEN

CAUTION: TO REDUCE THE RISK OF ELECTRIC SHOCK, DO NOT REMOVE COVER (OR BACK).

THERE ARE NO USER SERVICEABLE PARTS INSIDE. REFER SERVICING TO QUALIFIED SERVICE PERSONNEL



The lightning flash with an arrowhead symbol within an equilateral triangle is intended to alert the user to the presence of uninsulated "dangerous voltage" within the product's

The exclamation point within an equilateral triangle is intended to alert the user to the presence of important operating and maintenance (servicing) instructions in the literature

WARNING: DO NOT EXPOSE THIS APPLIANCE TO RAIN OR MOISTURE, DUE TO THE HIGH RISK OF FIRE OR ELECTRIC SHOCK, DO NOT OPEN THE CABINET. DANGEROUS HIGH VOLTAGES ARE PRESENT INSIDE THE ENCLOSURE. ONLY QUALIFIED SERVICE PERSONNEL SHOULD ATTEMPT THIS.

Portable speakers



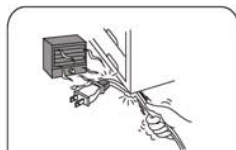
Do not open the cabinet



Do not use the apparatus near the water



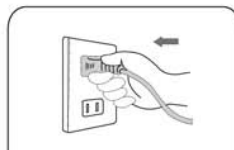
Unplug the apparatus during the lightning storms or when unused for a long period



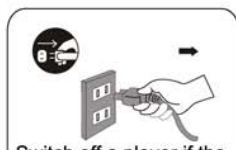
Do not use the unit with a defective power cable



Do not touch the power cable with wet hands



Insert the plug in the socket firmly



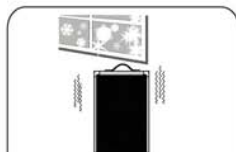
Switch off a player if the contacts of the cable plugwire are not completely in the socket of the powerpoint



Unplug the apparatus if the device is wet



If the player is damaged, please disconnect from the powerpoint



If it is very cold, please turn on the power for 1min. Then turn off the power for 1 min. Then you can turn on and use the unit



Do not expose the unit to direct sunlight or excessive heat



Do not use the unit in an area with high moisture

This item is portable speaker system, Drum kit panel with USB/SD card play function, AUX in, Aux output ,FM radio, Bluetooth. It includes 1 x wireless microphone and wheels and carry handle for easy transportation, One pair of sticks

Products Features:

Power input: 50W(RMS)

Voltage range: AC100-240V~ 50/60 Hz

USB/SD CARD: connect the USB flash stick or insert a SD card into the card slot. Use the mode button on the unit to change the mode to USB/CARD mode. When the correct mode has been selected, you can then use the backward, play/pause and forward controls on the unit to play music.

AUX In: Use the MODE button on the front panel to change the mode to AUX mode. Connect your devices to the Aux in socket on the front panel by a 3.5mm aux in cable (included).

When the correct mode has been selected, you can use your devices to play music.

FM RADIO: Use the MODE button on the unit to change the mode to FM mode.

Hold the ►/II button long press on the unit, it will auto search though all FM radio stations and auto store the FM radio station in range.

The unit can store a maximum of 30 stations; the number stored will depend on the quantity available in range.

Press the ◀◀ and ▶▶ buttons on the unit to change the stations which have been auto stored.

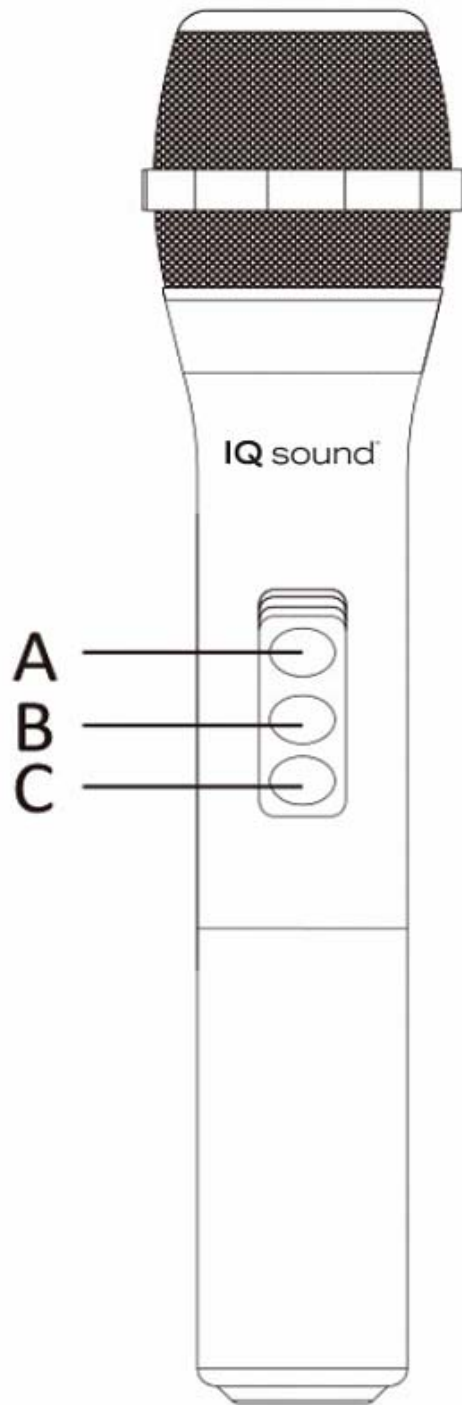
BLUETOOTH: Use the MODE button on the unit to change the mode to Bluetooth mode.

Access your devices Bluetooth settings and pair your device to the unit. The Bluetooth pair name is "IQ-8210DJDRM"(Bluetooth distance:around 10 meters).

When the correct mode has been selected, you can then use ◀◀ (the backward), ►/II (play/pause) and ▶▶ (the forward)controls on the unit to play music.

MICROPHONE EFFECT: Use the MIC ECHO and MIC VOLUME controls on the unit to increase/decrease the mic volume and echo when using a wireless microphone.

WIRELESS MICROPHONE:(Wireless Microphone distance:around 8 meters).



A. Microphone on

B. Microphone standby

C. Microphone off

Wireless microphone frequency is :261.80MHz

Wireless Microphone distance:around 8 meters

GUITAR EFFECT: Use the GUITAR VOL control on the unit to increase/decrease the

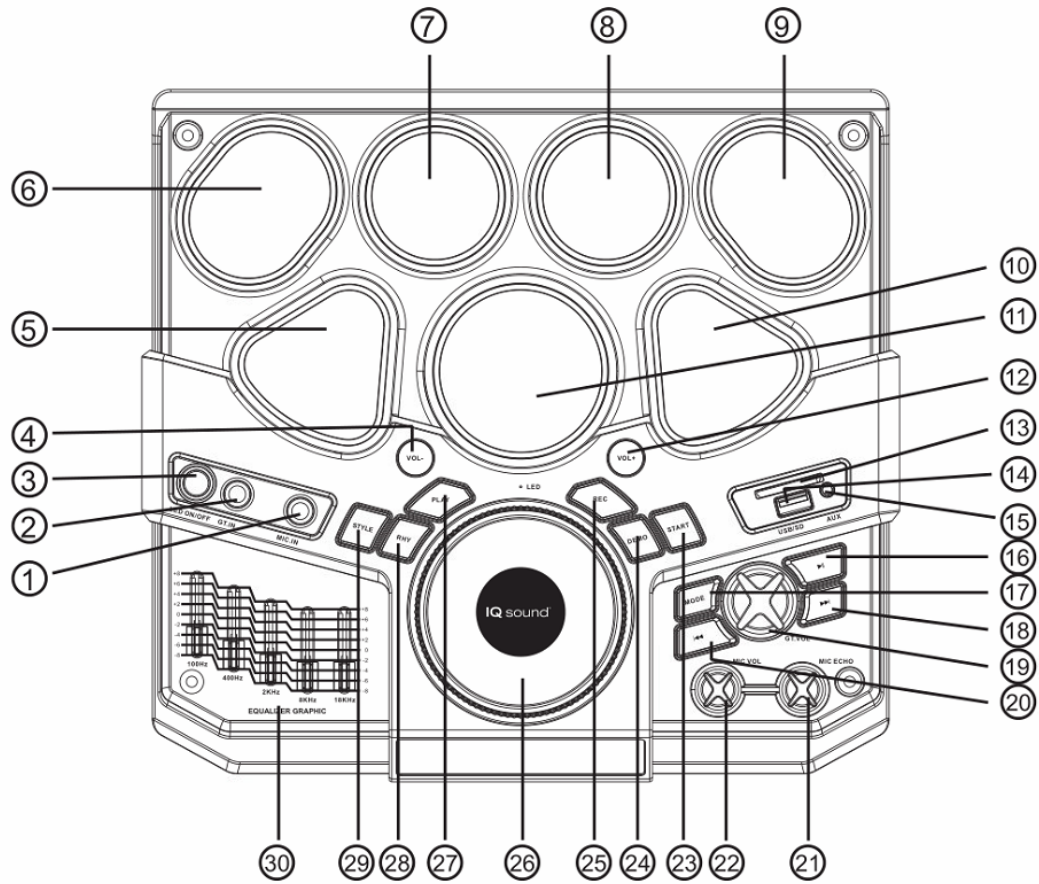
guitar volume when using the guitar input.

EQUALIZER EFFECT: use the equalizer to adjust or increase/decrease the bass and treble effect during music playing.

Drum kit for the sticks:



Front control panel silk screen for Drum Panel



- | | |
|--|-----------------------|
| 1. Microphoneinput | 16. Play / Pausekey |
| 2. Guitarinput | 17. Modefunction |
| 3. LEDOn/Off key
radiopreset | 18. Next track / Next |
| 4. DecreaseDrumvolume | 19. Guitar volume |
| 5. Drum pad(RideCymbal)
Previous radiopreset | 20. Previous track / |
| 6. Drum pad(High Tom)
Echoeffect | 21. Microphone |
| 7. Drum pad(Hi Hat)
volumecontrol | 22. Microphone |
| 8. Drum pad(Snare drum)
selected rhythm – PauseDemo | 23. Play/Pause |
| 9. Drum pad (LowFloorTom) | 24. Demo function |
| 10. Drum pad(CrashCymbal) | 25. Record drumeffect |
| 11. Drum pad(LowMid)
volumecontrol | 26. Master |
| 12. IncreaseDrumvolume
drumeffect | 27. Playback recorded |

13. SD cardslot
14. 2.0USBport
15. Auxinput
EQUALIZER

28. Rhythmeffects
29. Drum Styleeffects
- 30.GRAAPHIC

Remote Control Functions

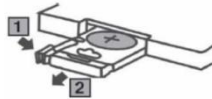
1. Stop key
2. Play / Pause – FMScan
3. Modefunction
4. Numericalkeys
5. Volume increase
6. Volumedecrease
7. Previous track – Previous FMpreset
8. Next track – Next FM preset
9. Repeatfunction
10. Mutefunction
11. EQ presets



*

Battery Installation:

Remove the cover of the battery compartment of the remote control according to the diagram on the right side.



Step 1: Press the ridged area rightward.

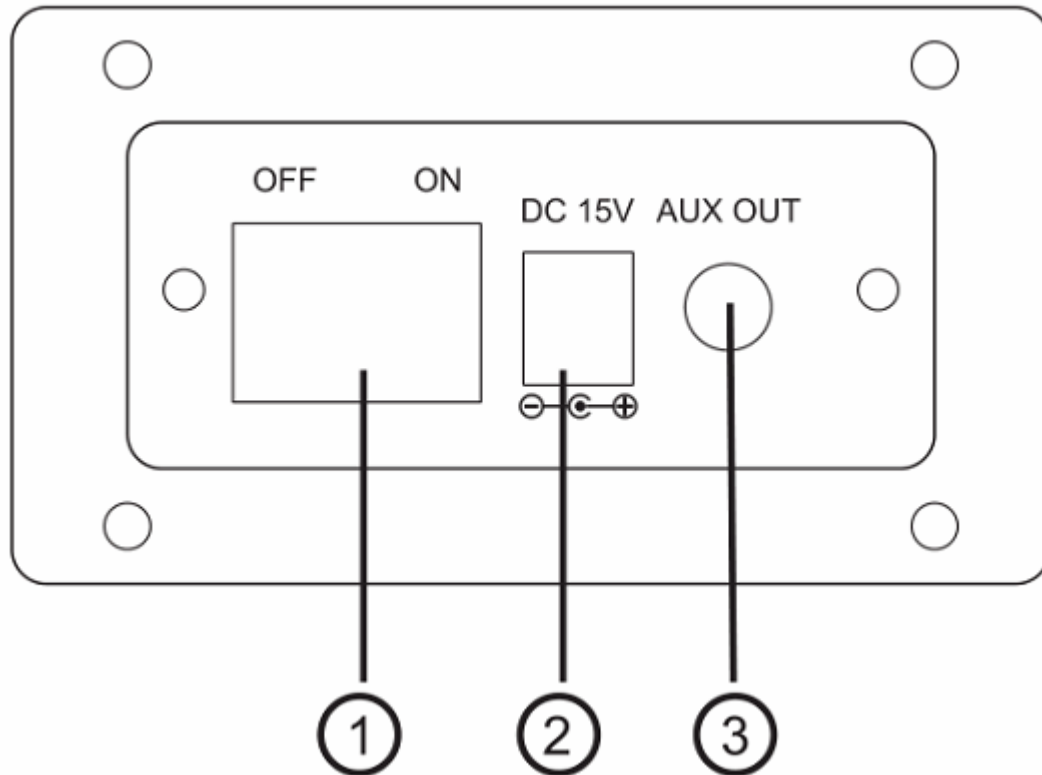
Step 2: At the same time, pull the battery tray out.

Step 3: Place a CR2025 lithium battery on the tray with the positive side facing upward.

Step 4: Replace the cover.

**This picture is for reference purposes only.

Back panel silk screen



1.POWER SWITCH

2.DC IN JACK

3.AUX OUT

Pairing a Bluetooth enabled device with the IQ-8210DJDRM

1. Turn on the IQ-8210DJDRM.
2. Tap the MODE BUTTON (#17) repeatedly to select Bluetooth mode. "bt" will appear on the LED DISPLAY and flash.(You will hear the sound "The Bluetooth is ready to pair").
3. Turn on the Bluetooth function of the device you want to link to and enable the search or scan function to find the **IQ-8210DJDRM**.
4. Select "IQ-8210DJDRM" from the device list when it appears on your device screen. Enter your device.
5. If you are pairing (linking) your computer to the speaker using Bluetooth, you may need to set the IQ-8210DJDRM as your computer's default sound device.
6. After successfully pairing the IQ-8210DJDRM with your Bluetooth device.
(You will hear the sound "The Bluetooth is connected successfully").

Now you can play music from your Bluetooth device wirelessly to the IQ-8210DJDRM.

1. Select your favorite song, press the Play/Pause on your Bluetooth device or the PLAY/PAUSE ►|| BUTTON (#16) on the IQ-8210DJDRM to play or pause the song from your Bluetooth device.
2. Tap the ►►| BUTTON (#18) or |◀◀ BUTTON (#20) to select the Next or Previous track.
3. Slowly adjust both the volume control of your IQ-8210DJDRM and your Bluetooth device until you reach a comfortable listening level.

Notes :

1. Refer to the manual of your cell phone, tablet PC, computer or other Bluetooth enabled devices for Bluetooth operation since it may vary from model to model.
2. If your Bluetooth enabled device does not support A2DP profile, it will not play the music through the speaker, even if paired (linked).
3. Remember to turn off the IQ-8210DJDRM when you have finished listening,
4. Don't forget to switch off the power of your Bluetooth device as well.
5. The repeat function do not apply to Bluetooth operation.

Accessories included:

1x wireless microphone(with one pair AAA size battery), 1x DC Adaptor,1xUser Manual,1 pair of sticks,1x Aux cable,1xRemote control (with button cell).

Specifications and functions are subject to change without notice. It is connected with continual improvement of the device.

TROUBLE SHOOTING

If you experience difficulties in the use of this music system, please check the following or call for Customer Service.

Fault	Possible Cause	Solution
No sound	1. No input sound source. 2. Volume is too low.	1. Use a better music signal. 2. Adjust volume.
Distortion of sound	1. Volume too high. 2. Speaker may be damaged.	1. Turn down the volume. 2. If speaker is damaged, repair or replace it.
Karaoke does not work	1. Microphone plug is not fully inserted. 2. Microphone switch is not on. 3. Microphone volume knob is too low.	1. Plug microphone properly into the socket. 2. Turn on microphone switch. 3. Increase the microphone volume.
MP3 does not play	1. The song format in the U disc is incorrect. 2. Improper operation has caused a process disorder. 3. U disc/SD card /MMC are disconnected.	1. Change song format into MP3 format. 2. Reboot the machine. 3. Insert U disc/SD/MMC properly.

SPECIFICATION

Power requirement:

AC-DC adaptor:	Input AC ~ 120V ~ 60Hz
	Output DC 15V \equiv 2.4A \ominus \oplus
Power Output for the unit:	50W (RMS)
Woofer Speaker information:	10inch, 4 Ω , 30W
Main Unit: DC input:	DC 15V \equiv 2.4A \ominus \oplus
Battery for wireless microphone (included) :	2x AAA

Frequency Range

Radio Band: FM 87.5 ~ 108 MHz

Wireless microphone frequency is :261.80MHz

Warranty

Supersonic Inc. Warrants this product to the original purchaser ONLY, to be free from defects in materials and workmanship under normal use,

For ninety (90) DAYS from the date of original purchase. Proof of purchase (receipt) required.

Please visit <http://www.supersonicinc.com/warranty> for additional information.

FCC Caution.

This device complies with part 15 of the FCC Rules. Operation is subject to the following two conditions: (1) This device may not cause harmful interference, and (2) this device must accept any interference received, including interference that may cause undesired operation.

Any Changes or modifications not expressly approved by the party responsible for compliance could void the user's authority to operate the equipment.

Note: This equipment has been tested and found to comply with the limits for a Class B digital device, pursuant to part 15 of the FCC Rules. These limits are designed to provide reasonable protection against harmful interference in a residential installation. This equipment generates uses and can radiate radio frequency energy and, if not installed and used in accordance with the instructions, may cause harmful interference to radio communications. However, there is no guarantee that interference will not occur in a particular installation. If this equipment does cause harmful interference to radio or television reception, which can be determined by turning the equipment off and on, the user is encouraged to try to correct the interference by one or more of the following measures:

- Reorient or relocate the receiving antenna.
- Increase the separation between the equipment and receiver.
- Connect the equipment into an outlet on a circuit different from that to which the receiver is connected.
- Consult the dealer or an experienced radio/TV technician for help.

*RF warning for Mobile device:

This equipment complies with FCC radiation exposure limits set forth for an uncontrolled environment. This equipment should be installed and operated with minimum distance 20cm between the radiator & your body.