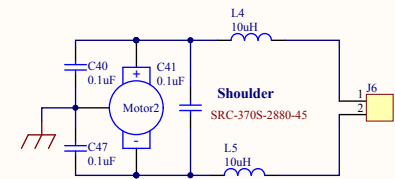
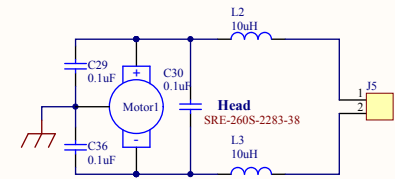
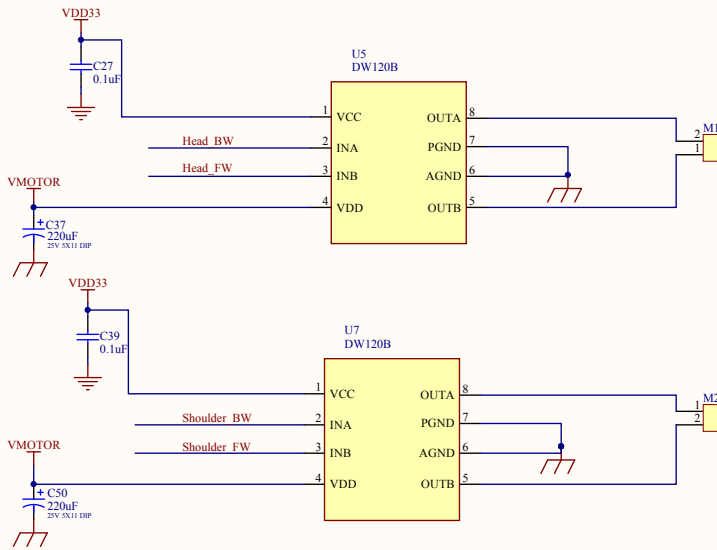
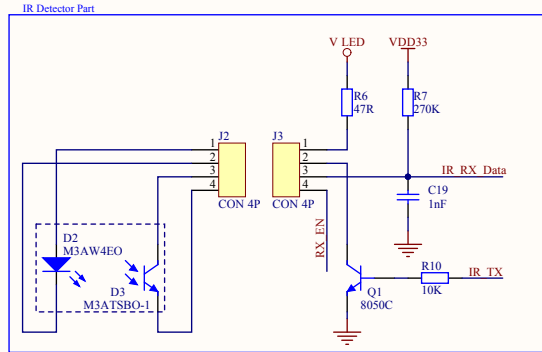
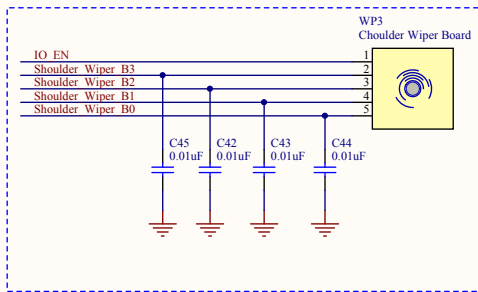
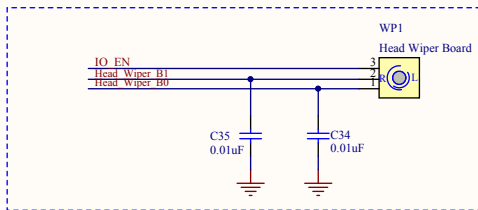
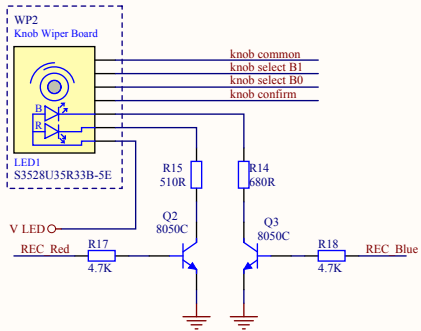


Note:

- 1) All electrolytic capacitors are 16V or above, +/-20% except specified.
- 2) All ceramic capacitors are 12V or above, +/-20% except specified.
- 3) All resistors are +/-5% except specified.
- 4) All diodes are 1N4148 except specified.
- 5) In PCB layout, the traces separation between all VDD and GND should be minimus 2mm.
- 6) The surrounding area of all Fuse/Polyswitch should be free of traces for 4mm.
- 7) The length of wire(V+) between the battery compartment and the PCB containing the PTC/fuse must be less than 2". A secondary PCB for the PTC/fuse may be required to meet this requirement.
- 8) * Means adjusted by factory.



Product Name: SW E7 IP Secondary Hero Droird

Material No.: B7493AS00

Project Code: 342847

DWG No.: S342847-R10

Revision: R05

Sheet 2 of 2

Engineer: Lester Vip

Checked by:

Approved by:

HASBRO INC.

Revision History

1. Delet the cam switch S1.
2. Add the RC R19/ C51 for BLE module reset delay ,TBD!
3. Add the I/OC9 for RST_N_PIN
4. Add the LVD IC U8
5. Add the V2.7_REG CAP C53.

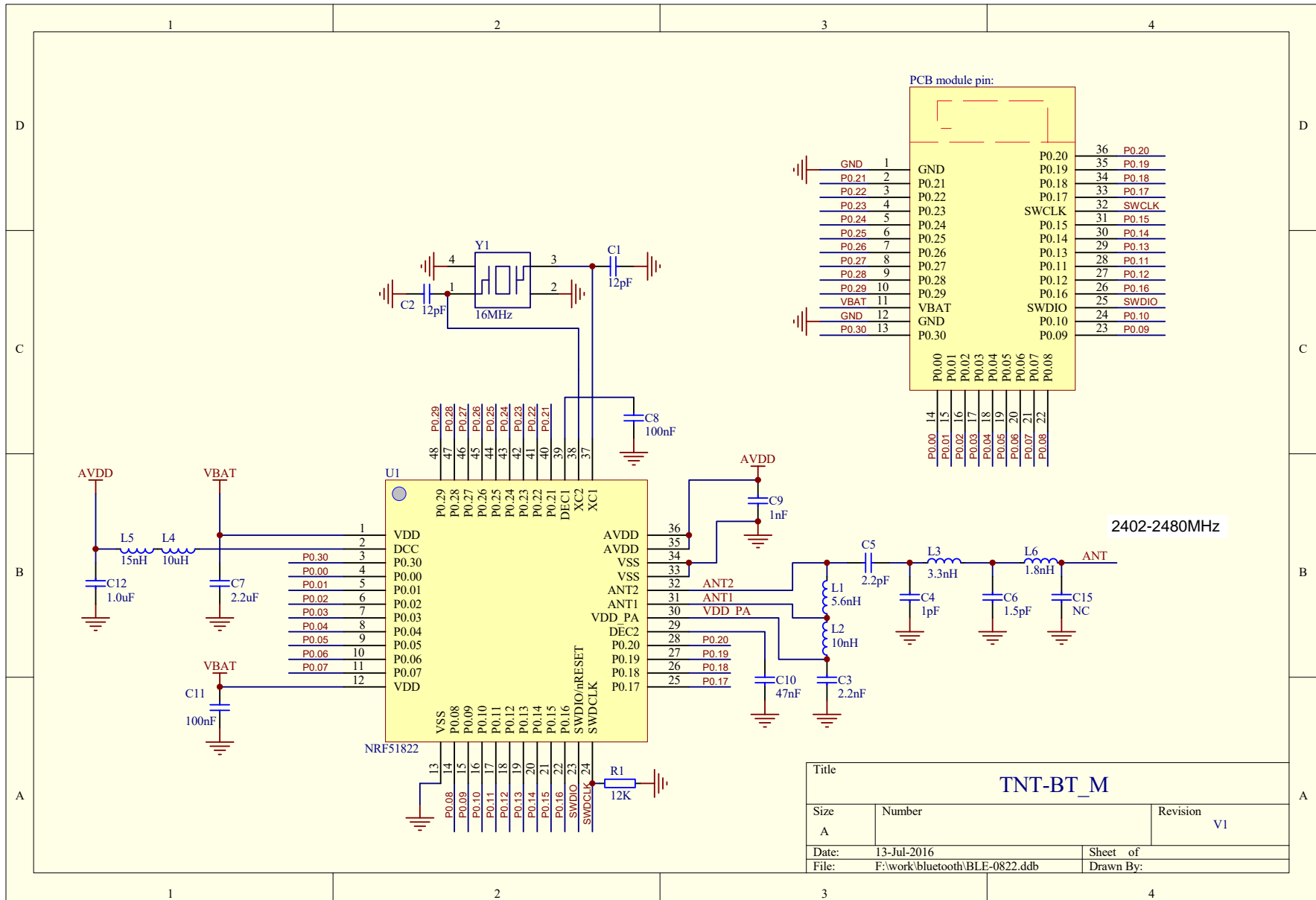
Date

May.31.2016

Drawn by

Jesse Mok





Title		
TNT-BT_M		
Size	Number	Revision
A		V1
Date:	13-Jul-2016	Sheet of
File:	F:\work\bluetooth\BLE-0822.ddb	Drawn By: