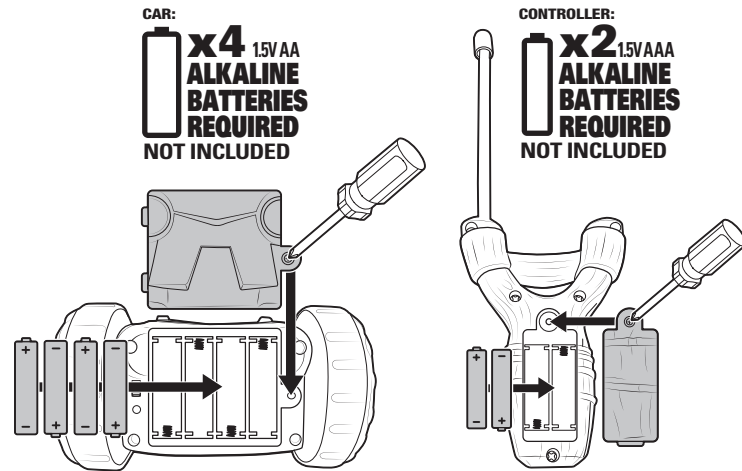


## TO INSERT BATTERIES IN CAR AND WIRELESS CONTROLLER

Use a Phillips/cross head screwdriver (not included).



A8308

Questions? Call: 1-800-327-8264

Angry Birds™ GO! & © 2009–2014 Rovio Entertainment Ltd. All rights reserved.

Product and colors may vary. Retain this information for future reference.

®\* and/or TM\* & © 2014 Hasbro. All Rights Reserved. TM & ® denote U.S. Trademarks.

PN: 7455710000

## IMPORTANT: BATTERY INFORMATION

### ⚠ CAUTION:

- As with all small batteries, the batteries used with this toy should be kept away from small children who still put things in their mouths. If they are swallowed, promptly see a doctor and have the doctor phone (202) 625-3333 collect. If you reside outside the United States, have the doctor call your local poison control center.
- TO AVOID BATTERY LEAKAGE**
  - Always follow the instructions carefully. Use only batteries specified and be sure to insert them correctly by matching the + and – polarity markings.
  - Do not mix old batteries and new batteries or standard (carbon-zinc) with alkaline batteries.
  - Remove exhausted or dead batteries from the product.
  - Remove batteries if product is not to be played with for a long time.
  - Do not short-circuit the supply terminals.
  - RECHARGEABLE BATTERIES:** Do not mix these with any other types of batteries. Always remove from the product before recharging. Recharge batteries under adult supervision. **DO NOT RECHARGE OTHER TYPES OF BATTERIES.**
- Should this product cause, or be affected by, local electrical interference, move it away from other electrical equipment. Reset (switching off and back on again or removing and re-inserting batteries) if necessary.

## FCC STATEMENT

This device complies with Part 15 of the FCC Rules. Operation is subject to the following two conditions: (1) This device may not cause harmful interference, and (2) this device must accept any interference received, including interference that may cause undesired operation.

**NOTE:** This equipment has been tested and found to comply with the limits for a Class B digital device, pursuant to Part 15 of the FCC Rules. These limits are designed to provide reasonable protection against harmful interference in a residential installation. This equipment generates, uses and can radiate radio frequency energy, and, if not installed and used in accordance with the instructions, may cause harmful interference to radio communications. However, there is no guarantee that interference will not occur in a particular installation. If this equipment does cause harmful interference to radio or television reception, which can be determined by turning the equipment off and on, the user is encouraged to try to correct the interference by one or more of the following measures:

- Reorient or relocate the receiving antenna.
- Increase the separation between the equipment and receiver.
- Consult the dealer or an experienced radio/TV technician for help.

**CAUTION:** Changes or modifications to this unit not expressly approved by the party responsible for compliance could void the user's authority to operate the equipment.

CAN ICES-3 (B)/NMB-3(B)

This device complies with Industry Canada Licence-exempt RSS-310. "Operation is subject to the following two conditions

- (1) This device may not cause harmful interference, and
  - (2) This device must accept any interference received, including interference that may cause undesired operation."
- Cet équipement est conforme aux normes du CNR-310 du Canada. "Son fonctionnement est soumis aux deux conditions suivantes:

- [1] Cet équipement ne peut causer d'interférence nuisible;
- [2] Cet équipement doit pouvoir fonctionner même s'il capte de l'interférence, incluant celle pouvant provoquer un fonctionnement indésirable."

Carrier frequency: 27.145 MHz. Field Strength 69.7 dBµV/m at 3m.

Fréquence porteuse: 27.145 MHz. Intensité de champ 69.7 dBµV/m at 3m.

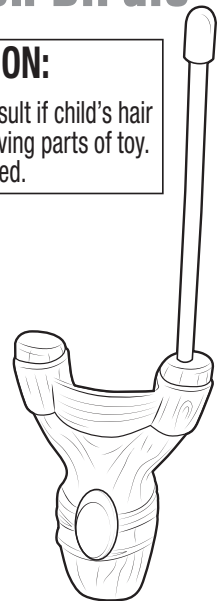
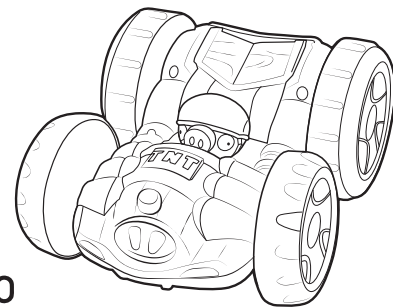


# AGES 3-7

## Bounce Back Birdie™\*

### ⚠ CAUTION:

Hair entanglement may result if child's hair comes in contact with moving parts of toy. Adult supervision is required.



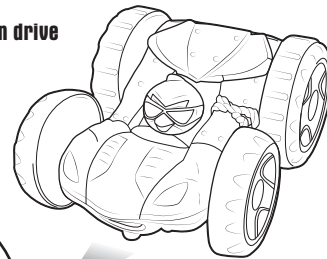
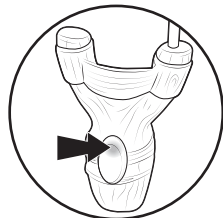
ROVIO  
PLAYSKOOL  
HEROES

[WWW.PLAYSKOOLHEROES.COM](http://WWW.PLAYSKOOLHEROES.COM)

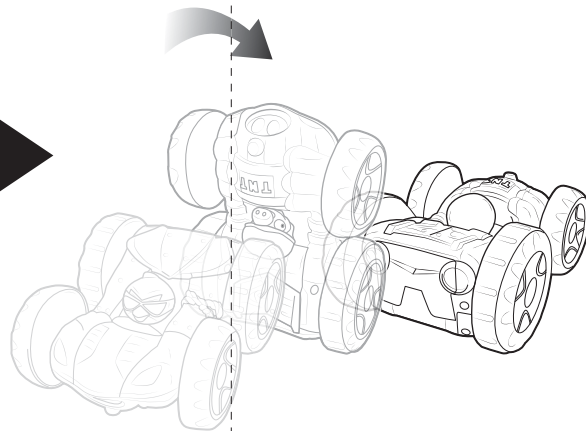
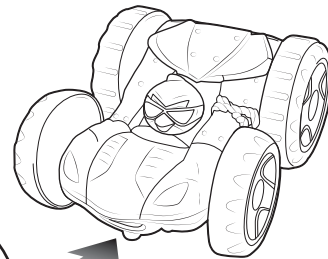
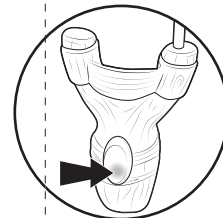
Includes car and 27MHz controller.

**The Bounce Back Birdie™\* racer is two cars in one. You can race as Red Bird and then flip it over to race as Helmet Pig!**

**To flip:**  
Drive car in reverse then drive quickly forward!

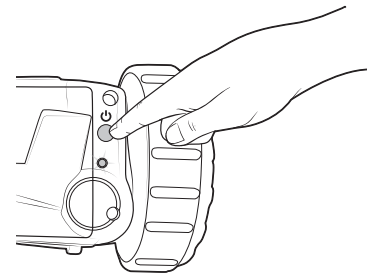


**Note:** Depending on which side of the vehicle is up, the Forward and Backward buttons will change orientation (that is, Forward will be Backward and vice versa).

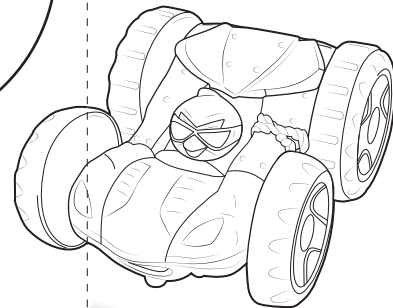
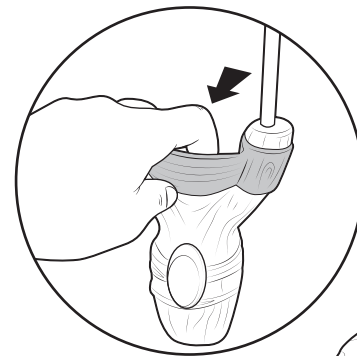


### PLAY

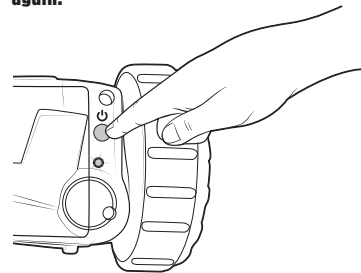
**To start car:**  
Press the button. LED light will indicate that the car is on and ready to drive.



**For automatic stunt action:**  
Pull back on slingshot!



**To restart car:**  
If toy has been inactive for a while, it will go to sleep. To awaken it, press button again.



### Troubleshooting:

- If the toy doesn't respond,
- press "on" button on the car
  - move controller closer to the car
  - check to see whether there are any other 27MHz toys operating in the area
  - try another location
  - replace the batteries