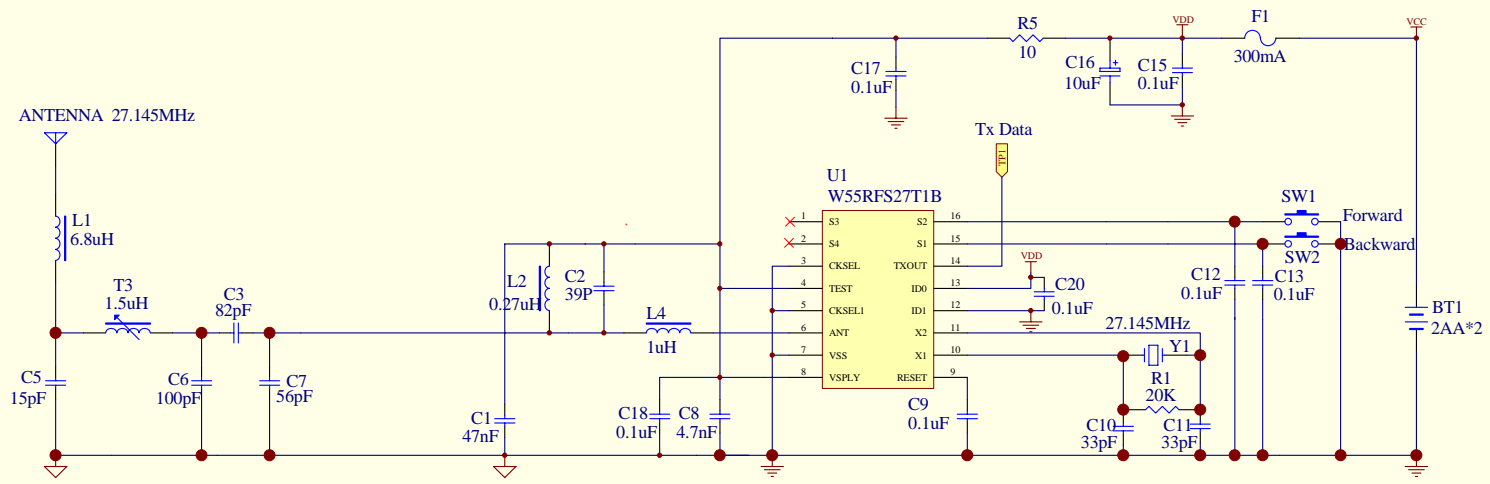
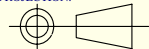


| REV. | MODIFIED DESCRIPTION | BY: / DATE | APR. / DATE |
|------|----------------------|------------|-------------|
|      | INITIAL RELEASE      |            |             |
|      |                      |            |             |
|      |                      |            |             |



Note:  
 1.All resistor values are indicated in "ohm" (1K=1000ohm),unless otherwise noted.  
 2.All capacitance values are indicated in "uF",inductance in "uH",unless otherwise noted.

| FORWARD WINSOME IND. LTD.  |                                       |                     |                    |
|--|---------------------------------------|---------------------|--------------------|
| PROJECT NO:<br>A2223   | COMPONENT NO:<br>A2223-3120           | DRN.BY:<br>Zi Yang  | DATE:<br>1/23/2013 |
| PROJECT NAME:<br>A2223   | COMPONENT NAME:<br>A2223 TX SCHEMATIC | CKD.BY:<br>WJ Lai   | DATE:<br>1/23/2013 |
| PROJECTION:<br> | SCALE:<br>1:1                         | UNIT:<br>mm         | MAT                |
| DWG.NO:<br>ENG-SC A2223-20   | REV:<br>1.0                           | APVD BY:<br>WJ Lai  | DATE:<br>1/23/2013 |
|  |                                       | SHEET NO:<br>1 of 1 |                    |