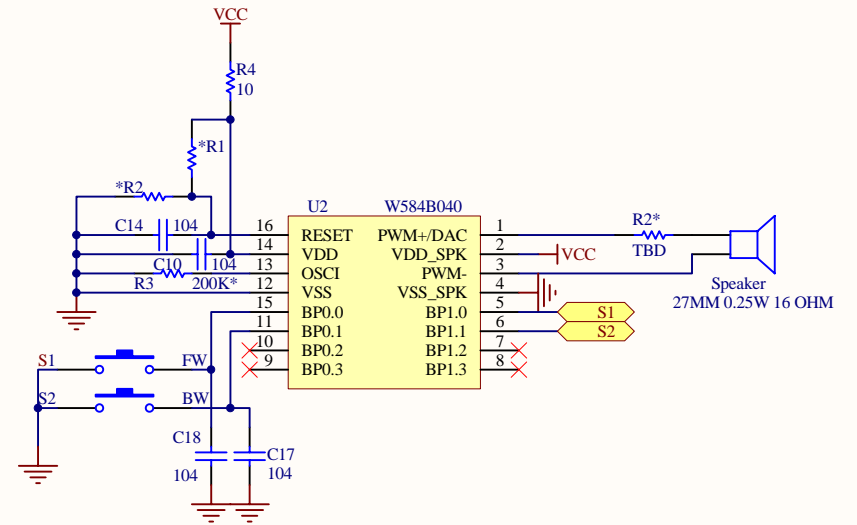
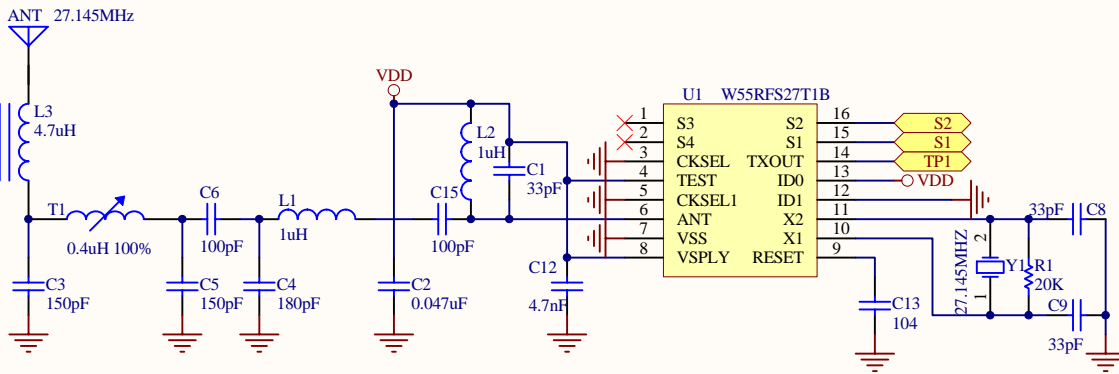
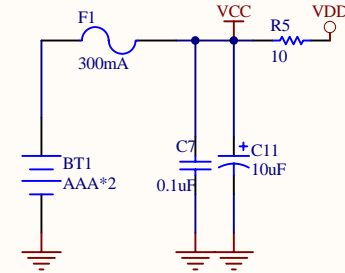


Remark:

- 1).All electrolytic capacitors are 16V or above, ±20% except specified .
- 2).All ceramic capacitors are 12V or above , ±20% except specified .
- 3).All resistors are ±5% except specified .
- 4).In PCB layout , the trace separation between all VCCs and GND should be minimum 1.5mm .
- 5).The surrounding area of all Fuse/polyswitch should be free of traces within 1.5mm of the component .
- 6).\* Means adjusted by Factory.



Assortment # :304180	Product Name :FRR RC Skateboard Pup	REVISION HISTORY	
Material # :A16490000	Revision : V1	V1 Initial Release for VSP	
Drawn By :	Sheet 1 of 1	BY	DATE
Schematic # :SA16490000_V1	BOM # : BA16490000_V1 IC # :W584B040+W55RFS27T1B		11 OCT 2012
Engineer : Roy	Checked :	Approved :	
DWG No. :DWG	File Name : File name for this schematic		
<b>HASBRO INC .</b>			

