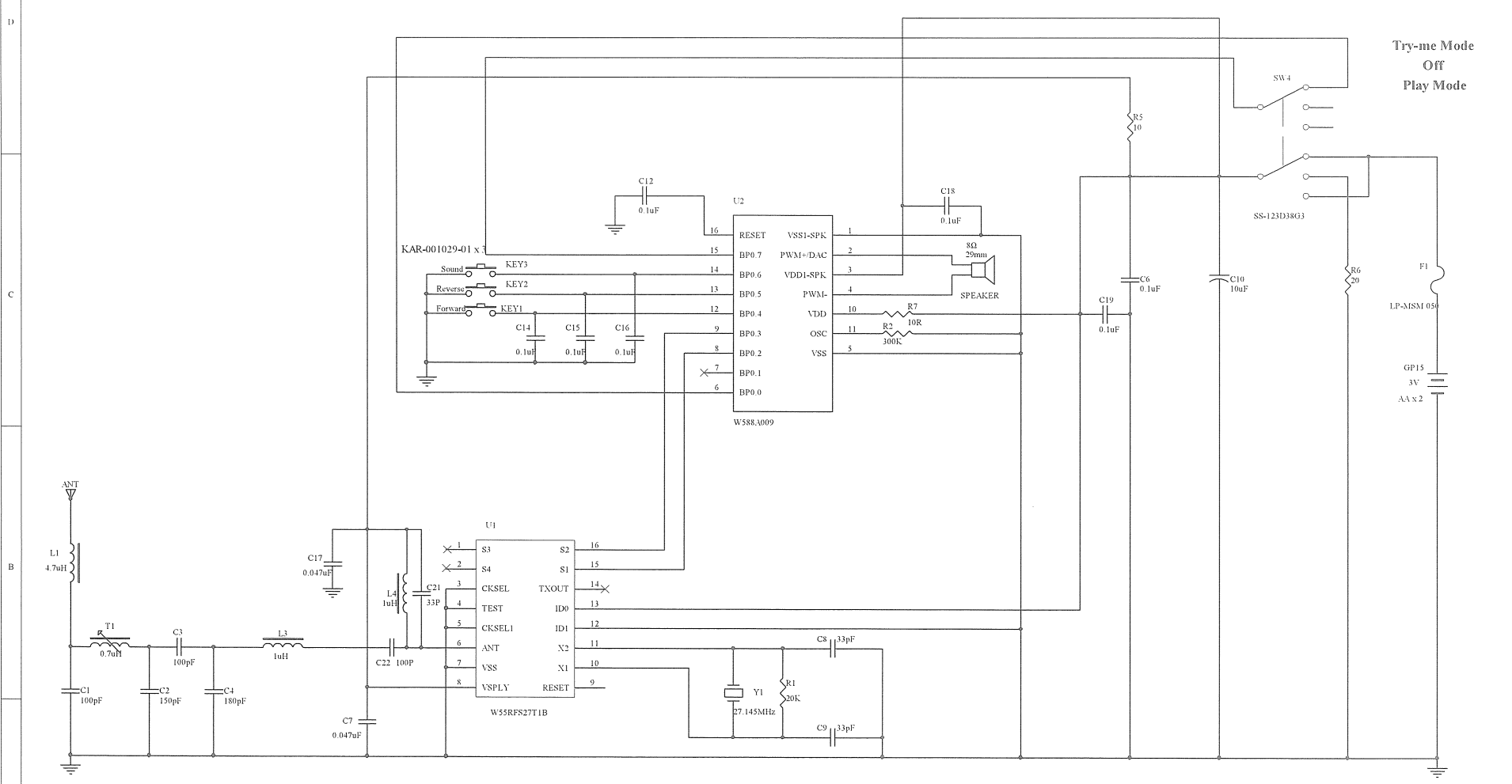


REV.	MODIFIED DESCRIPTION	BY. / DATE	APR. / DATE
	INITIAL RELEASE		



Note:  
 1. All resistor values are indicated in "ohm" (1K=1000ohm), unless otherwise noted.  
 2. All capacitance values are indicated in "uF", inductance in "uH", unless otherwise noted.

FORWARD WINSOME IND. LTD.			
PROJECT NO: 64068	COMPONENT NO: 64068-3120	DRN BY: WL_CUI	DATE: 11/12/2007
PROJECT NAME: 64068	COMPONENT NAME: 64068 TX SCHEMATIC	CKD BY: ZI YANG	DATE: 11/12/2007
PROJECTION: 	SCALE: 1:1	UNIT: mm	MAT APVD BY: WJ Lai
DWG NO: ENG-SC 64068-02		REV: 1.0	SHEET NO: 1 of 1