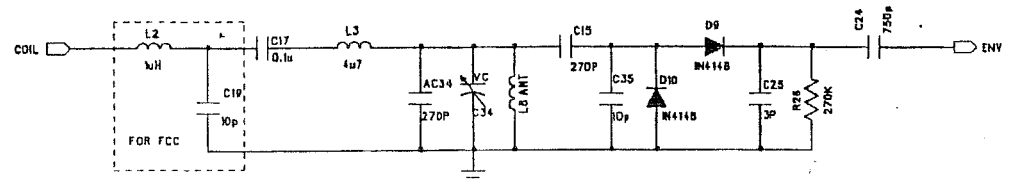
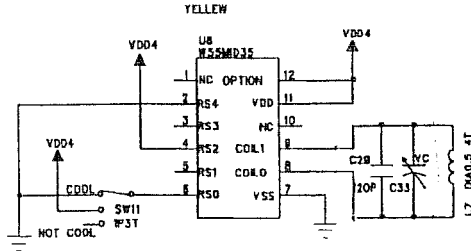
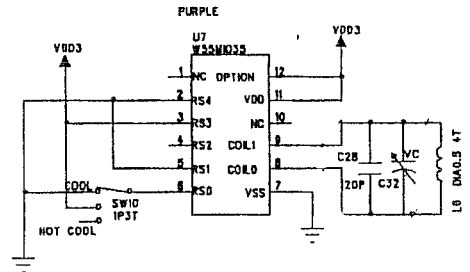
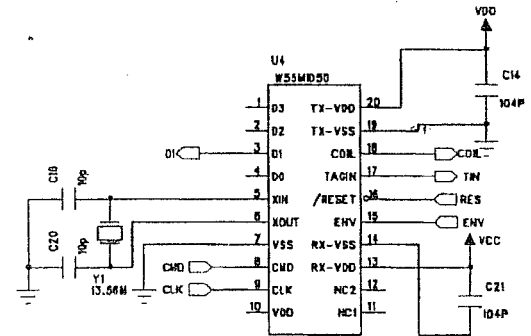
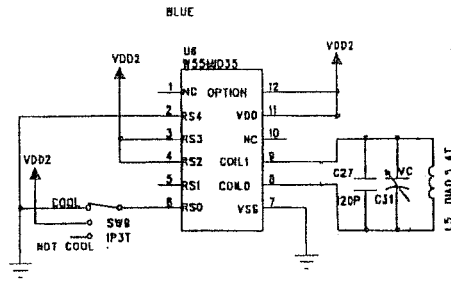
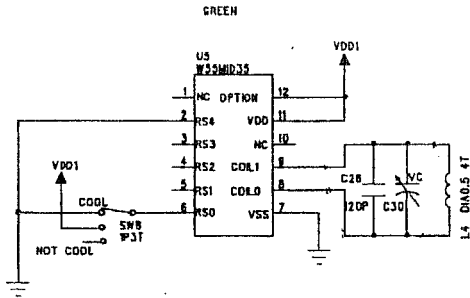




REV	DATE	DETAIL OF CHANGE
1	MAY25.2004	CHANGE SMD CAP 33P + 8P+ TO 30P VC



WYNNEWOOD TOYS INDUSTRIAL(SHENZHEN)CO.,LTD. GUANLAN VEE KINGLY TOYS FACTORY			
FILE NAME	PT-1479 COOL RULZ CIRCUIT DIAGRAM		
FILE NO.	PT-1479-11-03		
DRAWN:	FEININGNING	DATE:	2004 05 25
APPD:		DATE:	
SHEET:	P 2 OF 2	REV:	A