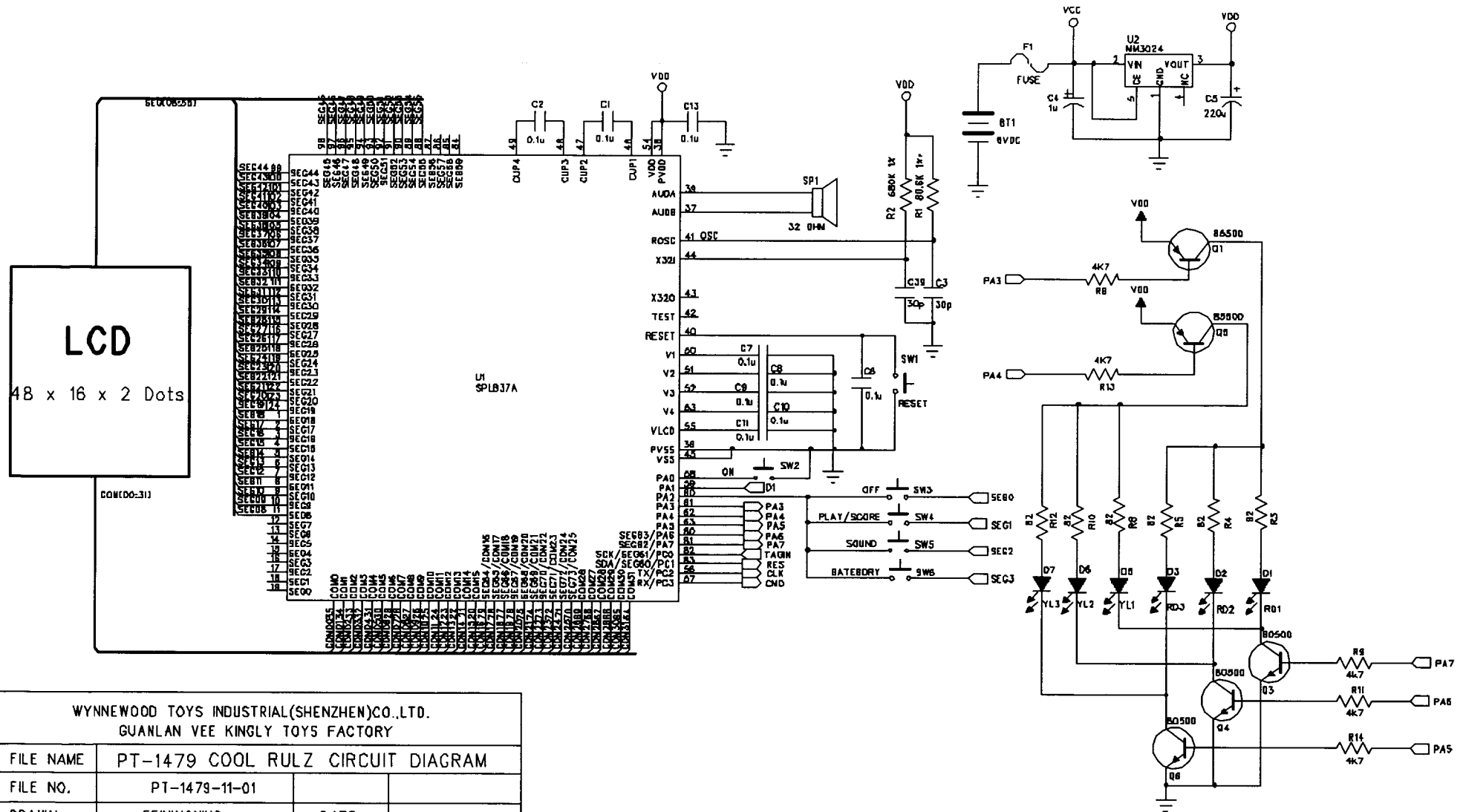


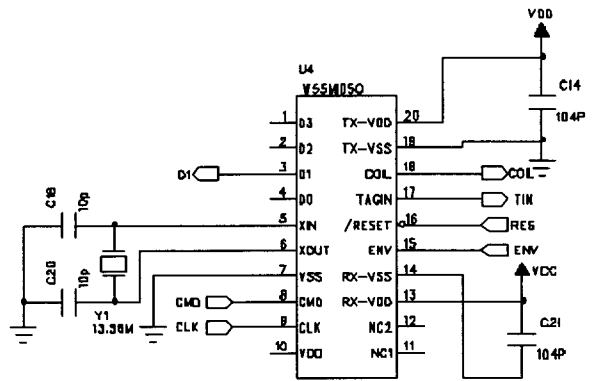
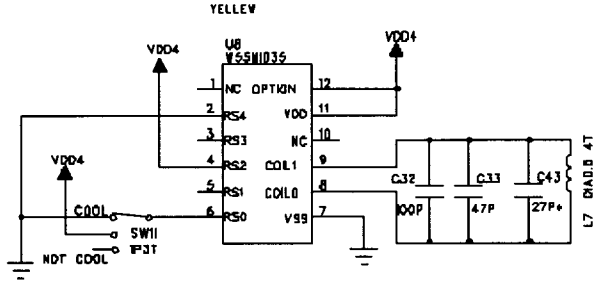
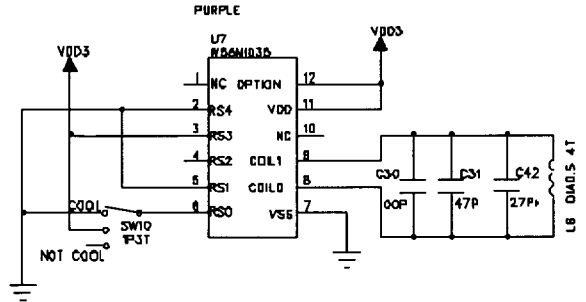
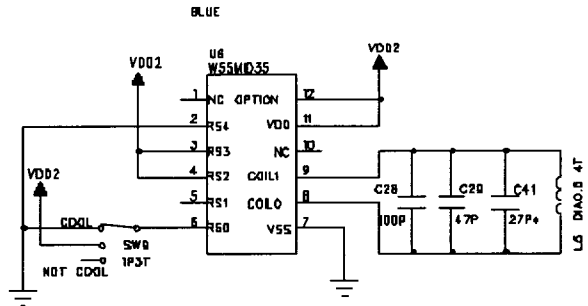
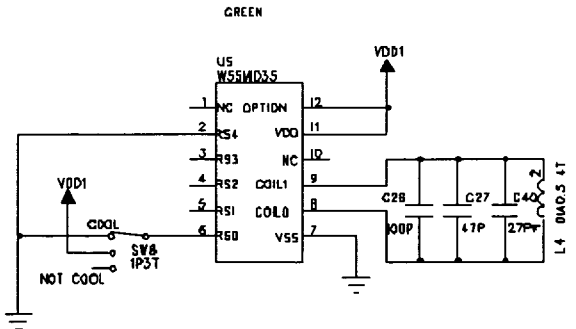
REV	DATE	DETAIL OF CHANGE
1		



WYNNWOOD TOYS INDUSTRIAL(SHENZHEN)CO.,LTD.
 GUANLAN VEE KINGLY TOYS FACTORY

FILE NAME	PT-1479 COOL RULZ CIRCUIT DIAGRAM		
FILE NO.	PT-1479-11-01		
DRAWN:	FEININGNING	DATE:	2004 03 06
APPD:	Rony W. Chung	DATE:	2004 03 06
SHEET:	P 1 OF 2	REV:	A

REV	DATE	DETAIL OF CHANGE
1		



WYNNEWOOD TOYS INDUSTRIAL(SHENZHEN)CO.,LTD. GUANLAN VEE KINGLY TOYS FACTORY			
FILE NAME	PT-1479 COOL RULZ CIRCUIT DIAGRAM		
FILE NO.	PT-1479-11-03		
DRAWN:	FEININGNING	DATE:	2004 03 06
APPD:	Rony W. Chung	DATE:	2004 03 06
SHEET:	P 2 OF 2	REV:	A

