

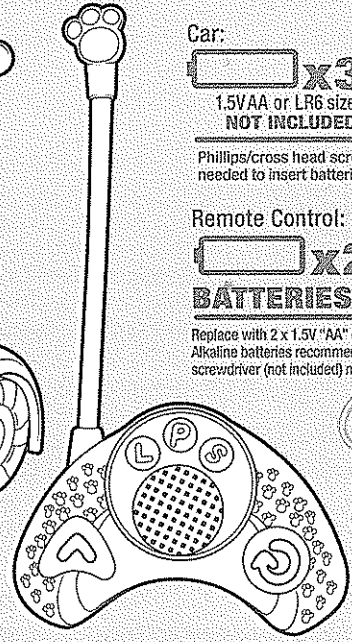
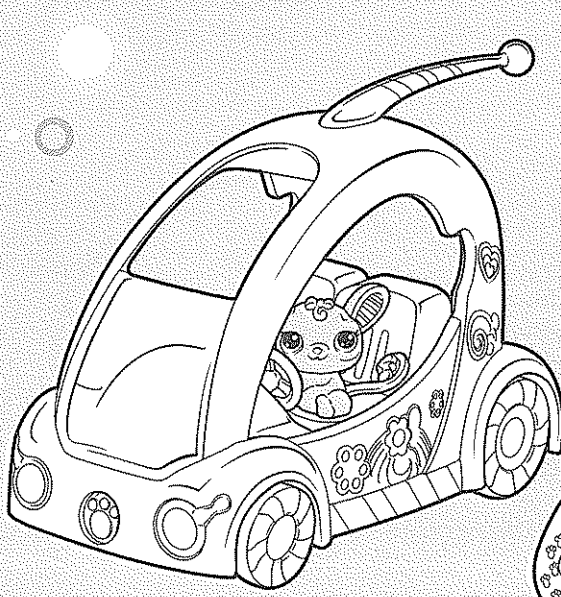


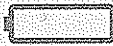
AGES 4+

⚠ CAUTION:


Hair entanglement may result if child's hair comes in contact with moving parts of toy. Adult supervision is required.

Speedy Tails R/C



Car:
 **x3** ALKALINE BATTERIES
1.5V AA or LR6 size
NOT INCLUDED

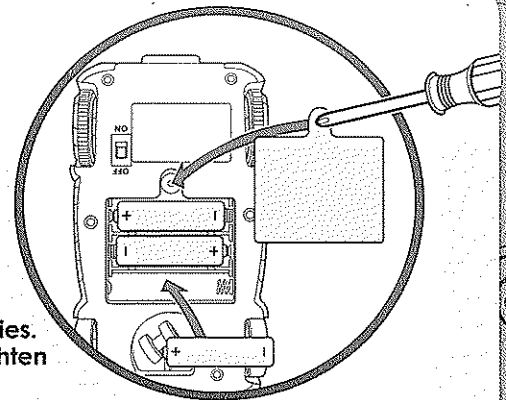
Phillips/cross head screwdriver (not included) needed to insert batteries.

Remote Control:
 **x2** 1.5V AA or R6 size
BATTERIES INCLUDED

Replace with 2 x 1.5V "AA" or R6 size batteries. Alkaline batteries recommended. Phillips/cross head screwdriver (not included) needed to replace batteries.

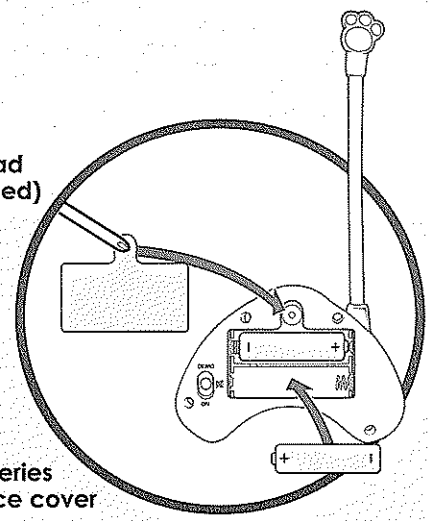
To Install CAR Batteries

1. Use a Phillips/cross head screwdriver (not included) to loosen screw in battery compartment cover (screw remains attached to cover).
2. Remove cover.
3. Insert 3 x 1.5V "AA" or LR6 size alkaline batteries. Replace cover and tighten screw.



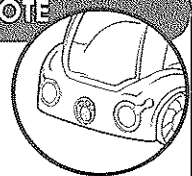
To Replace REMOTE CONTROL Batteries

1. Use a Phillips/cross head screwdriver (not included) to loosen screw in battery compartment cover (screw remains attached to cover).
2. Remove cover. Remove and discard old batteries.
3. Replace with 2 x 1.5V "AA" or R6 size batteries. Alkaline batteries recommended. Replace cover and tighten screw.



PLAYING WITH THE TOY

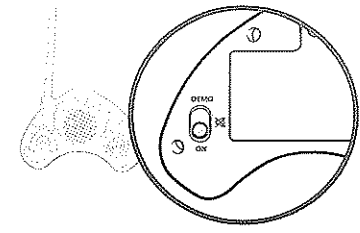
NOTE



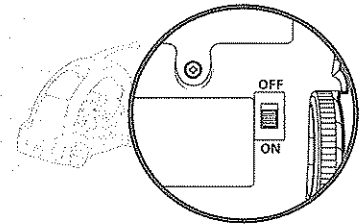
The LED light indicates that the car is turned on. The car uses battery power whenever the switch is in the ON position. To help conserve battery life, move the switch to OFF when you are not playing with the toy.

TIP

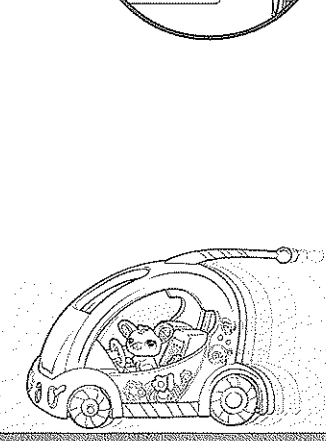
To turn off sound effects, move switch to the MUTE position.



The remote is packaged in "demo" mode. Before you begin to play, move the remote control's switch to ON.



The car's ON/OFF switch is located on the bottom of the car. Turn on the car by moving the switch to the ON position.



Press this button to move car forward.

Press this button to turn car.

TROUBLESHOOTING

If your remote control car does not respond, try switching the car OFF and back ON again, or replace the batteries in the car and remote control.

IMPORTANT: BATTERY INFORMATION

⚠ CAUTION:

1. Always follow the instructions carefully. Use only batteries specified and be sure to insert them correctly by matching the + and - polarity markings.
2. Do not mix old batteries and new batteries or standard (carbon-zinc) with alkaline batteries.
3. Remove exhausted or dead batteries from the product.
4. Remove batteries if product is not to be played with for a long time.
5. Do not short-circuit the supply terminals.
6. Should this product cause, or be affected by, local electrical interference, move it away from other electrical equipment. Reset (switching off and back on again or removing and re-inserting batteries) if necessary.
7. **RECHARGEABLE BATTERIES:** Do not mix these with any other types of batteries. Always remove from the product before recharging. Recharge batteries under adult supervision. **DO NOT RECHARGE OTHER TYPES OF BATTERIES.**

FCC STATEMENT

This device complies with Part 15 of the FCC Rules. Operation is subject to the following two conditions: (1) This device may not cause harmful interference, and (2) this device must accept any interference received, including interference that may cause undesired operation.

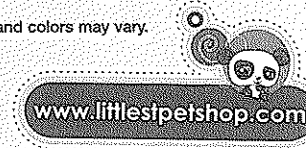
This equipment has been tested and found to comply with the limits for a Class B digital device, pursuant to Part 15 of the FCC Rules. These limits are designed to provide reasonable protection against harmful interference in a residential installation. This equipment generates, uses and can radiate radio frequency energy, and, if not installed and used in accordance with the instructions, may cause harmful interference to radio communications. However, there is no guarantee that interference will not occur in a particular installation. If this equipment does cause harmful interference to radio or television reception, which can be determined by turning the equipment off and on, the user is encouraged to try to correct the interference by one or more of the following measures:

- Reorient or relocate the receiving antenna.
- Increase the separation between the equipment and receiver.
- Consult the dealer or an experienced radio/TV technician for help.

CAUTION: Changes or modifications to this unit not expressly approved by the party responsible for compliance could void the user's authority to operate the equipment.

© 2011 Hasbro. All Rights Reserved.
TM & ® denote U.S. Trademarks.
32860 PN 7157800000

Product and colors may vary.



Questions? Please call Hasbro
Consumer Affairs at 1-888-722-3972.