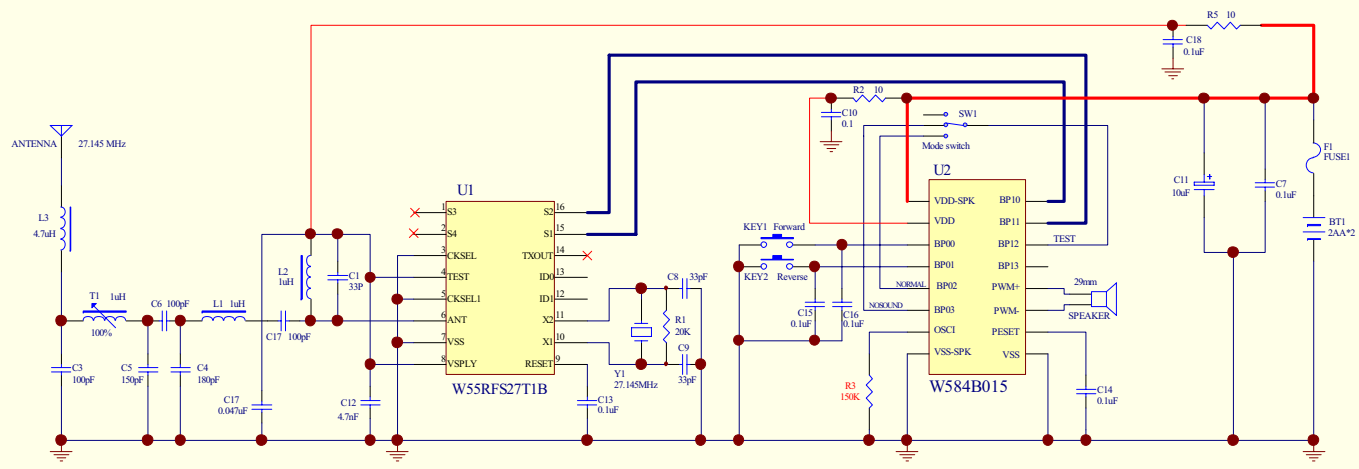


REV.	MODIFIED DESCRIPTION	BY: / DATE	APR. / DATE
	INITIAL RELEASE		



FCC ID : RS432860

32860 Tx Schematic

Note:
 1.All resistor values are indicated in "ohm" (1K=1000ohm),unless otherwise noted.
 2.All capacitance values are indicated in "uF",inductance in "uH",unless otherwise noted.

FORWARD WINSOME IND. LTD.

PROJECT NO: 32860	COMPONENT NO: 32860-3120	DRN.BY: NO Chen	DATE: 1/19/2011
PROJECT NAME: 32860	COMPONENT NAME: 32860 TX SCHEMATIC	CKD.BY: NO Chen	DATE: 1/19/2011
PROJECTION:	SCALE: 1:1	UNIT: mm	MAT
	DWG.NO: ENG-SC 32860-02	APVD.BY: WJ Lai	DATE: 1/19/2011
	REV: 1.0	SHEET NO: 1 of 1	