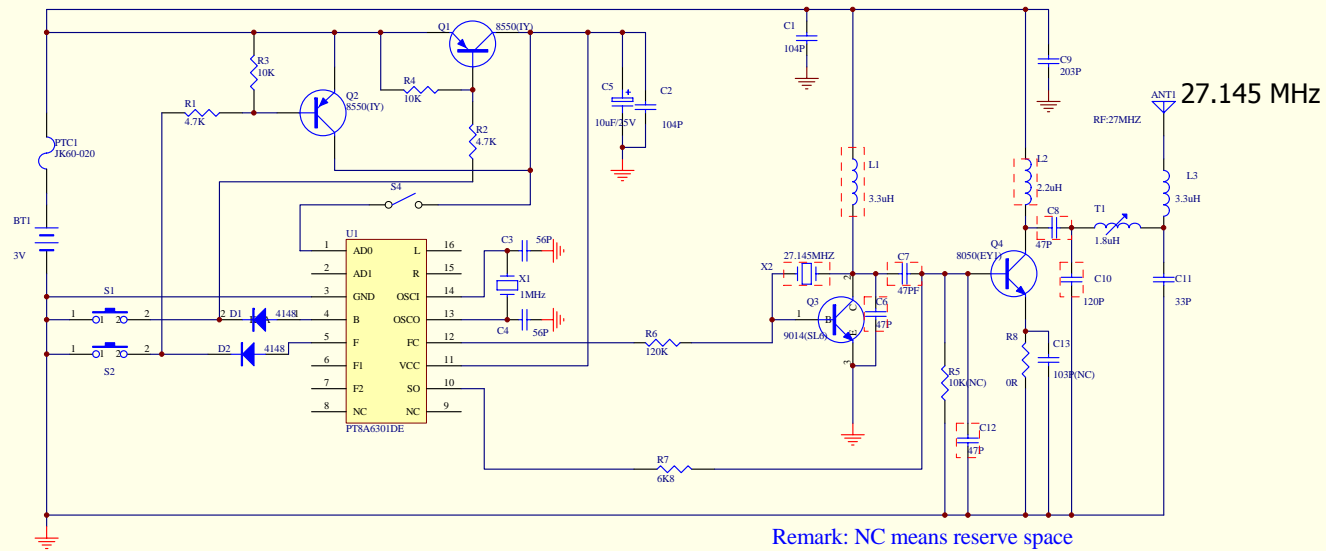


FCC ID: RS432814V2  
 Model: 32814  
 Circuit Diagram of Transmitter

Company Name:	Hasbro Toy Ltd
Item Name:	Ton Bounce Back Racer Asst
Asst No:	328140000
Item NO:	A197
Date:	2011-08-13
Page:	1 of 1
Revision:	A

## TX Circuit Diagram

	L1	L3	X2(MHz)	C10	C11
27MHz	3.3uH	3.3uH	27.145	120P	33P
40MHz	1.0uH	2.2uH	40.680	47P	NC



Remark: NC means reserve space