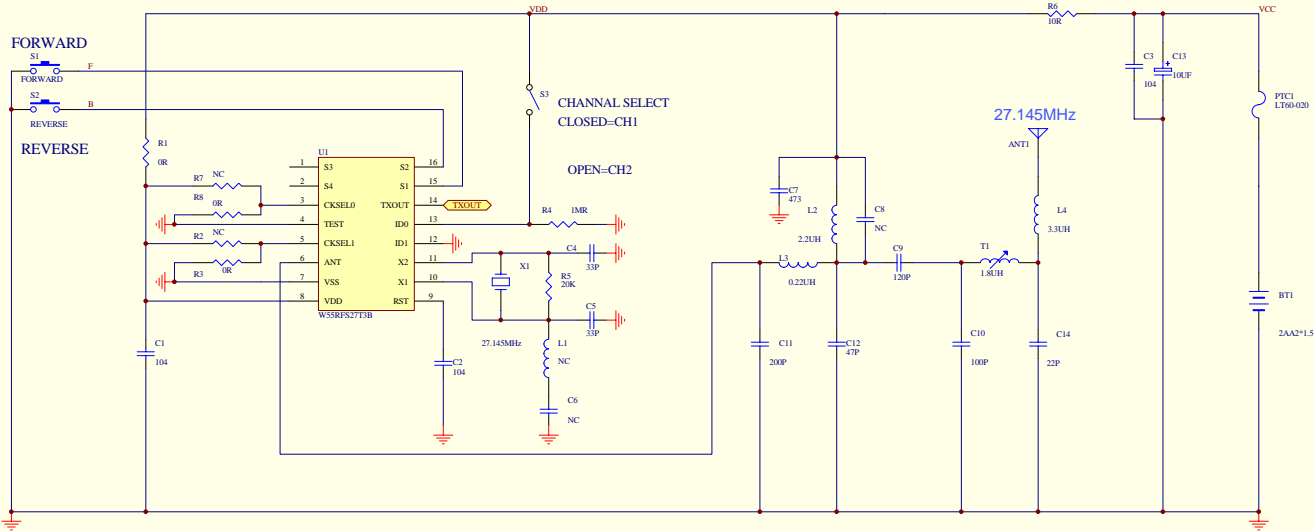


REV	DATE	REMARKS
		Initial Release
REV.1		

### 27MHZ TX Circuit Diagram



- Note:
- 1) All electrolytic capacitors are 16V or above, +80%/-20% except specified
  - 2) All ceramic capacitors are 12v or above, +20%/-20% except specified
  - 3) All resistors are +/-5% except specified
  - 4) \*ADJUST BY FACTORY TO ACHIEVE THE CORRECTXXX
  - 5) IN PCB LAYOUT THE TRACE SEPERATION BETWEEN VCC AND GND SHOULD BE MINMUM 1.5MM
  - 6) Fuse/Polyswitch with its surrounding 1.5mm around should be free of trace

Model Name: Tonka Flip R C		Model No: 328140000
DWG NO:	SCHEMATIC  DRAWING	ENGINEER:
File Name:		CHECKED:
PAGE OF		APPROVED:
Version:		
Hasbro Far East Limited		