

IMPORTANT: BATTERY INFORMATION

⚠ CAUTION:

1. Always follow the instructions carefully. Use only batteries specified and be sure to insert them correctly by matching the + and - polarity markings.
2. Do not mix old batteries and new batteries or standard (carbon-zinc) with alkaline batteries.
3. Remove exhausted or dead batteries from the product.
4. Remove batteries if product is not to be played with for a long time.
5. Do not short-circuit the supply terminals.
6. Should this product cause, or be affected by, local electrical interference, move it away from other electrical equipment. Reset (switching off and back on again or removing and re-inserting batteries) if necessary.
7. **RECHARGEABLE BATTERIES:** Do not mix these with any other types of batteries. Always remove from the product before recharging. Recharge batteries under adult supervision. **DO NOT RECHARGE OTHER TYPES OF BATTERIES.**

FCC STATEMENT

This device complies with part 15 of the FCC Rules. Operation is subject to the following two conditions: (1) This device may not cause harmful interference, and (2) this device must accept any interference received, including interference that may cause undesired operation.

This equipment has been tested and found to comply with the limits for a Class B digital device, pursuant to part 15 of the FCC Rules. These limits are designed to provide reasonable protection against harmful interference in a residential installation. This equipment generates, uses and can radiate radio frequency energy, and, if not installed and used in accordance with the instructions, may cause harmful interference to radio communications. However, there is no guarantee that interference will not occur in a particular installation. If this equipment does cause harmful interference to radio or television reception, which can be determined by turning the equipment off and on, the user is encouraged to try to correct the interference by one or more of the following measures:

- Reorient or relocate the receiving antenna.
- Increase the separation between the equipment and receiver.
- Consult the dealer or an experienced radio/TV technician for help.

CAUTION: Changes or modifications to this unit not expressly approved by the party responsible for compliance could void the user's authority to operate the equipment.

Product and colors may vary.

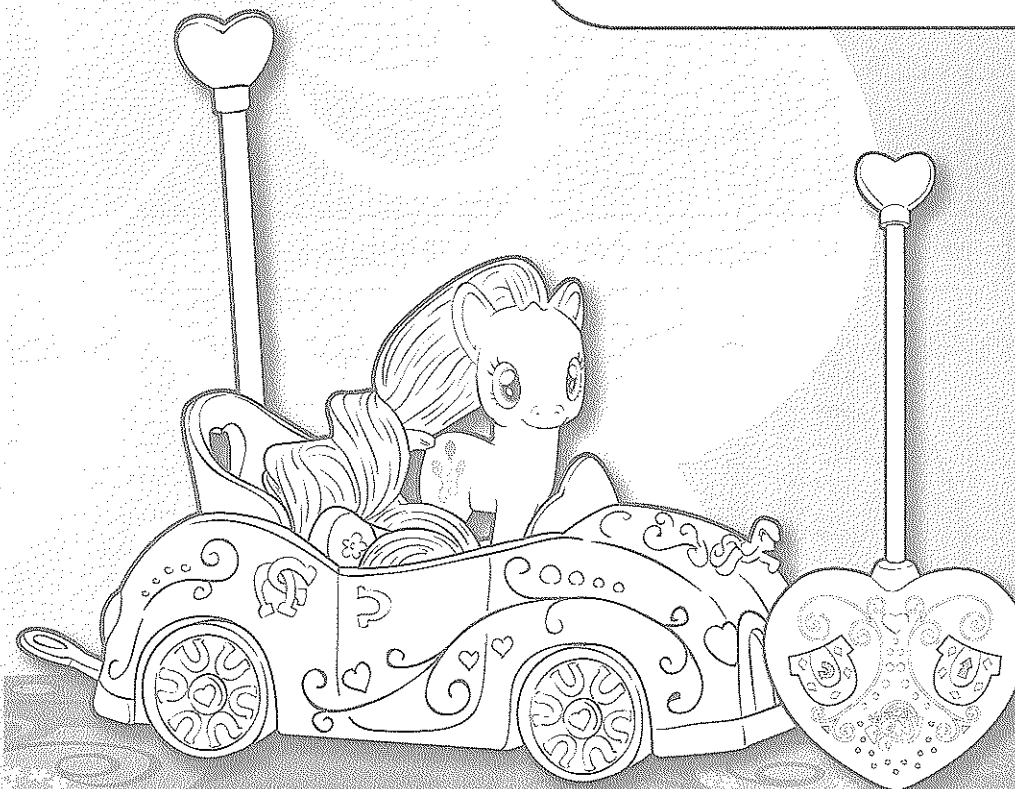
© 2010 Hasbro. All Rights Reserved.
TM and © denote U.S. Trademarks.
21458 PN 7139070000

Questions? Please call Hasbro
Consumer Affairs at 1-888-722-3972.

AGES 3+

my LITTLE PONY

PINKIE PIE'S RC Car™



CAR

 x3
1.5V AA or LR6 size
NOT INCLUDED

ALKALINE
BATTERIES
REQUIRED

Phillips/cross head screwdriver (not included)
needed to treat batteries.

REMOTE CONTROL

 x2 1.5V AA or R6 size
BATTERIES INCLUDED

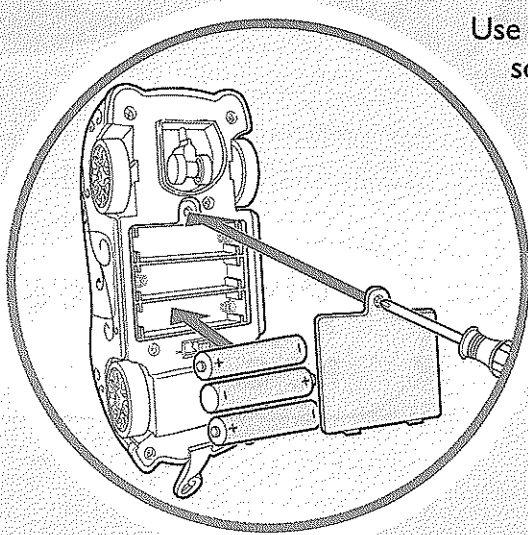
Replace with 2 x 1.5V "AA" or R6 size batteries.
Alkaline batteries recommended. Phillips/cross head
screwdriver (not included) needed to replace batteries.

FRIENDSHIP IS MAGIC

see more at:

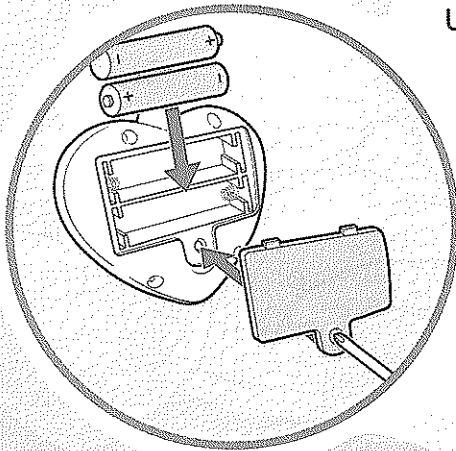
www.hasbro.com

TO INSTALL CAR BATTERIES



Use a Phillips/cross head screwdriver (not included) to loosen screw in battery compartment cover (screw remains attached to cover). Remove cover. Insert 3 x 1.5V "AA" or LR6 size alkaline batteries. Replace cover and tighten screw.

TO REPLACE REMOTE CONTROL BATTERIES

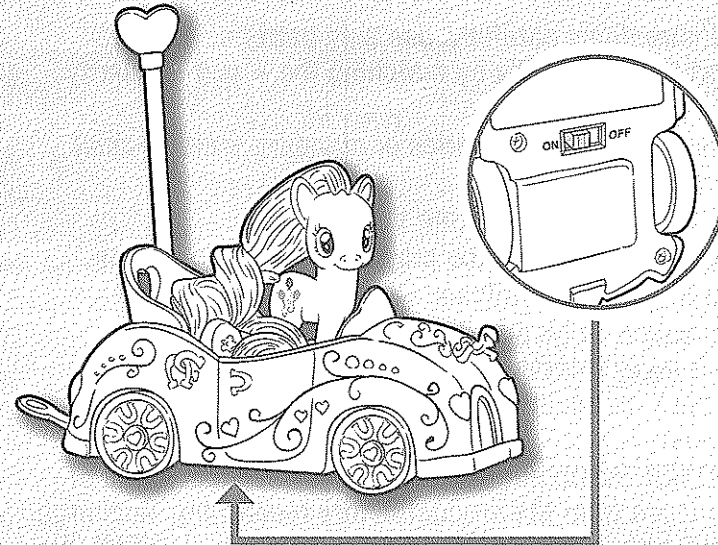


Use a Phillips/cross head screwdriver (not included) to loosen screw in battery compartment cover (screw remains attached to cover). Remove cover. Remove and discard old batteries. Replace with 2 x 1.5V "AA" or R6 size batteries. Alkaline batteries recommended. Replace cover and tighten screw.

TROUBLESHOOTING

If your remote control car does not respond, try switching the car OFF and back ON again, or replace the batteries in the car and remote control.

PLAYING WITH THE TOY

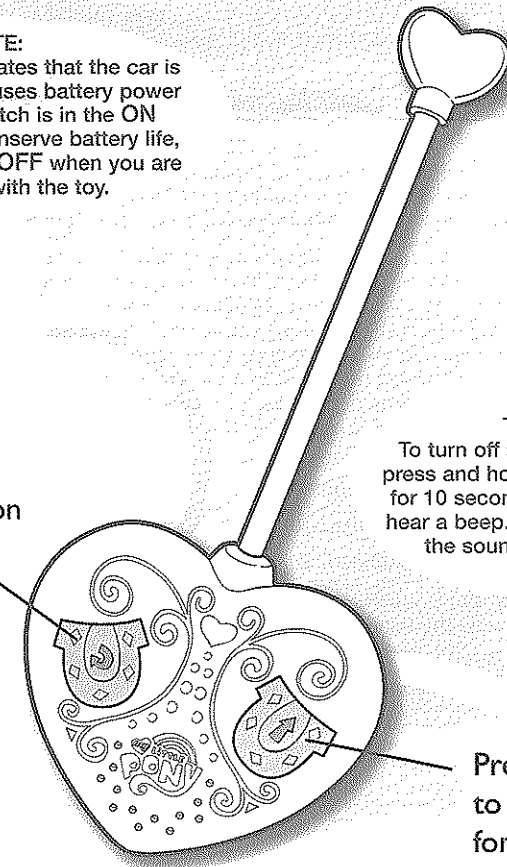


The car's ON/OFF switch is located on the bottom of the car. Turn on the car by moving the switch to the ON position.

NOTE:

The LED light indicates that the car is turned on. The car uses battery power whenever the switch is in the ON position. To help conserve battery life, move the switch to OFF when you are not playing with the toy.

Press this button to turn car.



TIP:
To turn off sound effects, press and hold both buttons for 10 seconds or until you hear a beep. Repeat to turn the sound on again.

Press this button to move car forward.